



# TAI-SAW TECHNOLOGY CO., LTD.

No. 3, Industrial 2nd Rd., Ping-Chen Industrial District,  
Taoyuan, 324, Taiwan, R.O.C.

TEL: 886-3-4690038 FAX: 886-3-4697532

E-mail: [tstsales@mail.taisaw.com](mailto:tstsales@mail.taisaw.com) Web: [www.taisaw.com](http://www.taisaw.com)

## Approval Sheet For Product Specification

Issued Date: July .13 ,2007

Product Name: SAW Filter 1090MHz SMD 3.8x3.8 mm

TST Parts No.:TA0691A

Customer Parts No.:\_\_\_\_\_

Company: _____
Division: _____
Approved by : _____
Date: _____

Checked by: \_\_\_\_\_ Anne Chen

Approval by: \_\_\_\_\_ Francis Chen

Date: \_\_\_\_\_ 7 ,13 ,2007



# TAI-SAW TECHNOLOGY CO., LTD.

No. 3, Industrial 2nd Rd., Ping-Chen Industrial District,  
Taoyuan, 324, Taiwan, R.O.C.

TEL: 886-3-4690038 FAX: 886-3-4697532

E-mail: [tstsales@mail.taisaw.com](mailto:tstsales@mail.taisaw.com) Web: [www.taisaw.com](http://www.taisaw.com)

## SAW Filter 1090 MHz

MODEL NO.: TA0691A

REV. NO.:2

### A. MAXIMUM RATING:

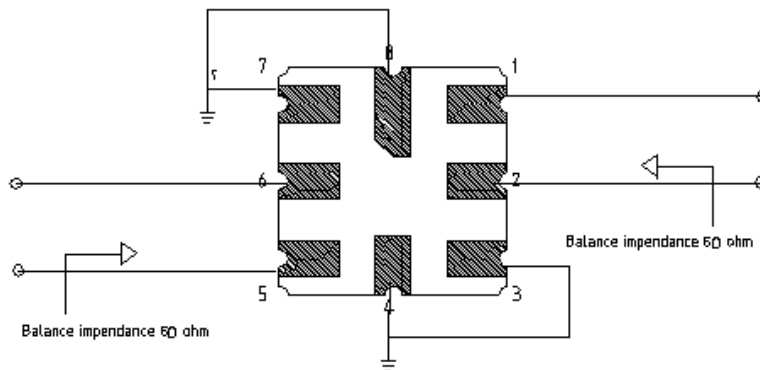
1. Input Power Level: 20dB<sub>m</sub>
2. DC voltage: 0 V
3. Operating Temperature: -40°C to +85°C
4. Storage Temperature: -40°C to +85°C

RoHS Compliant  
Lead free  
Lead-free soldering

### B. CHARACTERISTICS:

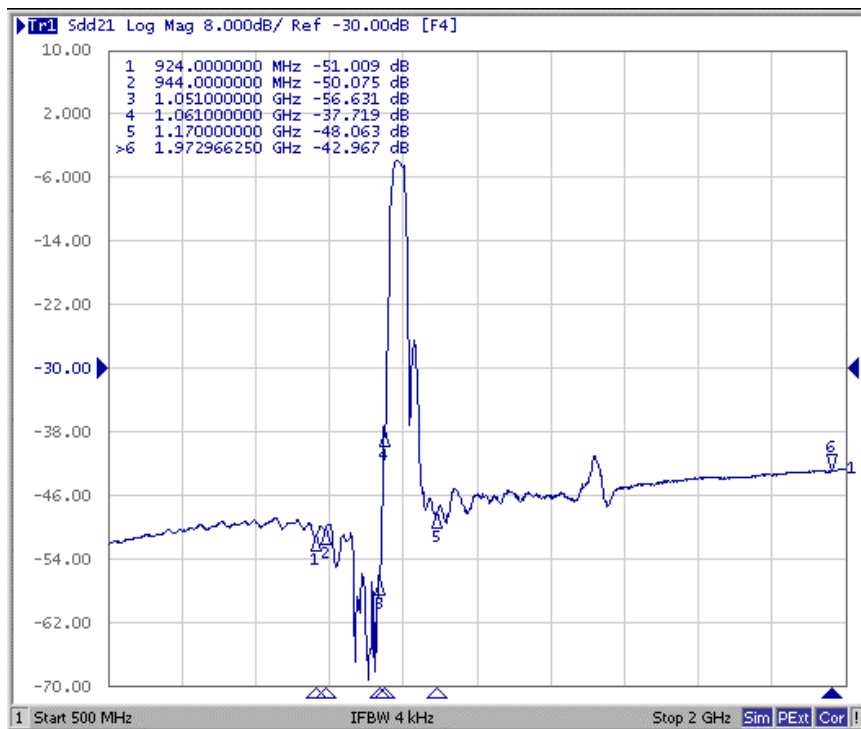
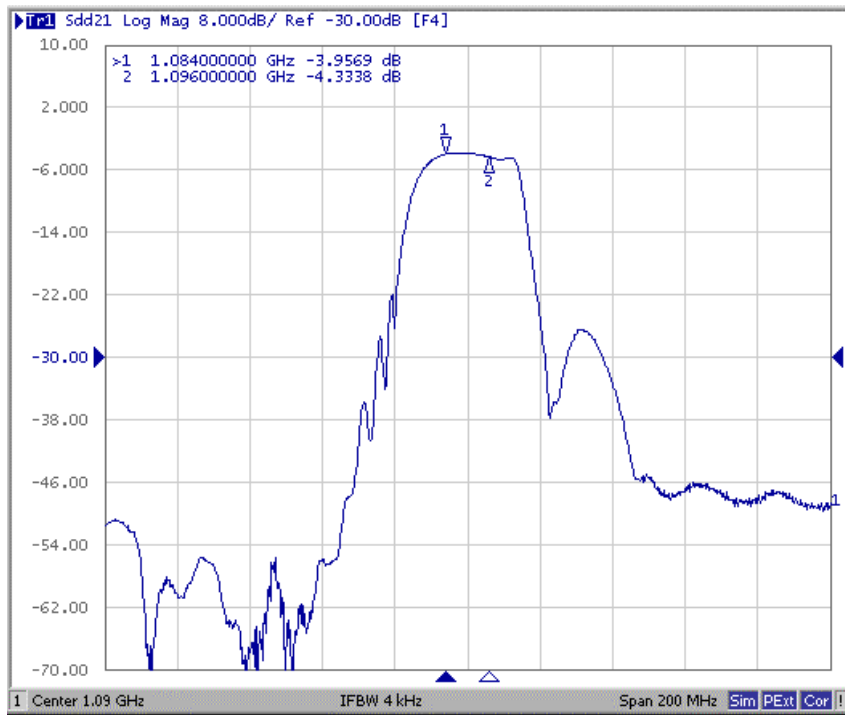
Item			Min.	Typ.	Max.
<b>Center frequency</b>	<b>Fc</b>	MHz	-	1090	-
<b>Insertion loss</b>	1084 ~ 1096 MHz	<b>IL</b> (dB)	-	4.33	5.3
<b>Amplitude ripple</b>	1084 ~ 1096 MHz	(dB)	-	0.37	1.5
<b>Attenuation</b> (Reference level from 0 dB)					
	500 ~ 924 MHz	(dB)	45	52	-
	924 ~ 944 MHz	(dB)	45	58	-
	944 ~ 1051 MHz	(dB)	40	45	-
	1051 ~ 1061 MHz	(dB)	30	39	-
	1170 ~ 2000 MHz	(dB)	40	41.5	-
<b>Balanced to balanced operation</b>					
<b>Source impedance</b>	Z <sub>s</sub>	(Ω)	-	50	-
<b>Load impedance</b>	Z <sub>L</sub>	(Ω)	-	50	-

### C. MEASUREMENT CIRCUIT:

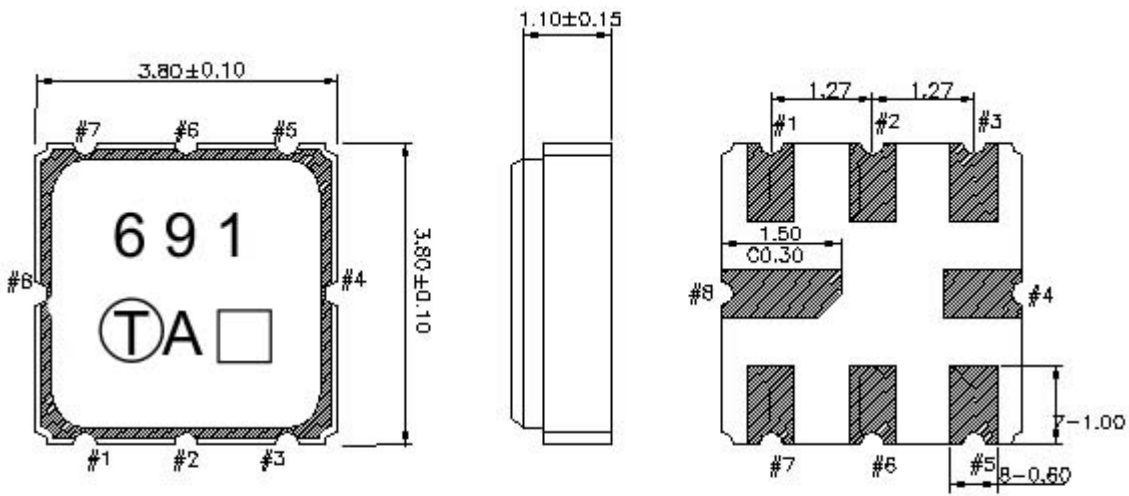


## D. Transfer Function :

Narrowband



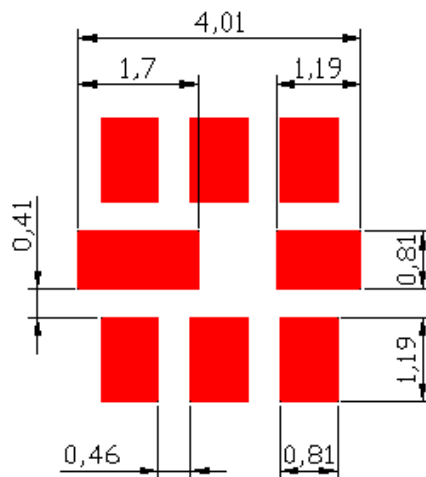
**E. OUTLINE DRAWING:**



- #1,2 : Balance Input
- #5,6 : Balance Output
- #3,4,7,8: Ground
- : Date Code
- Unit : mm



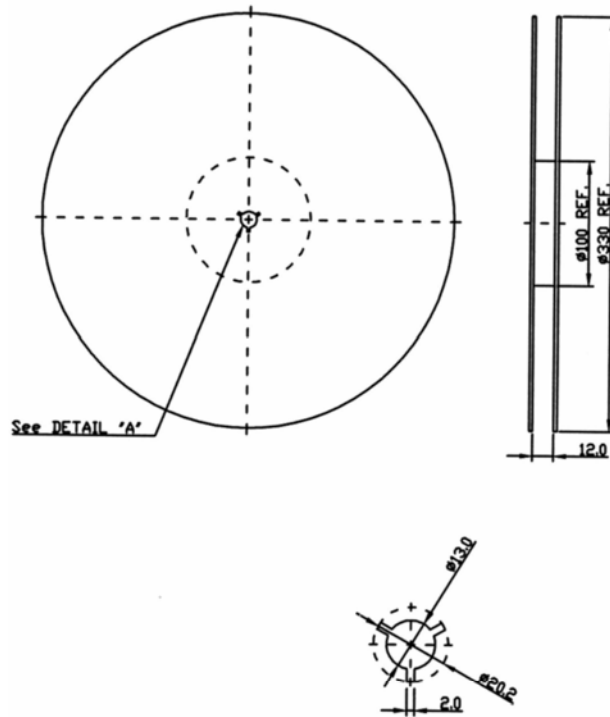
**F .PCB Footprint:**



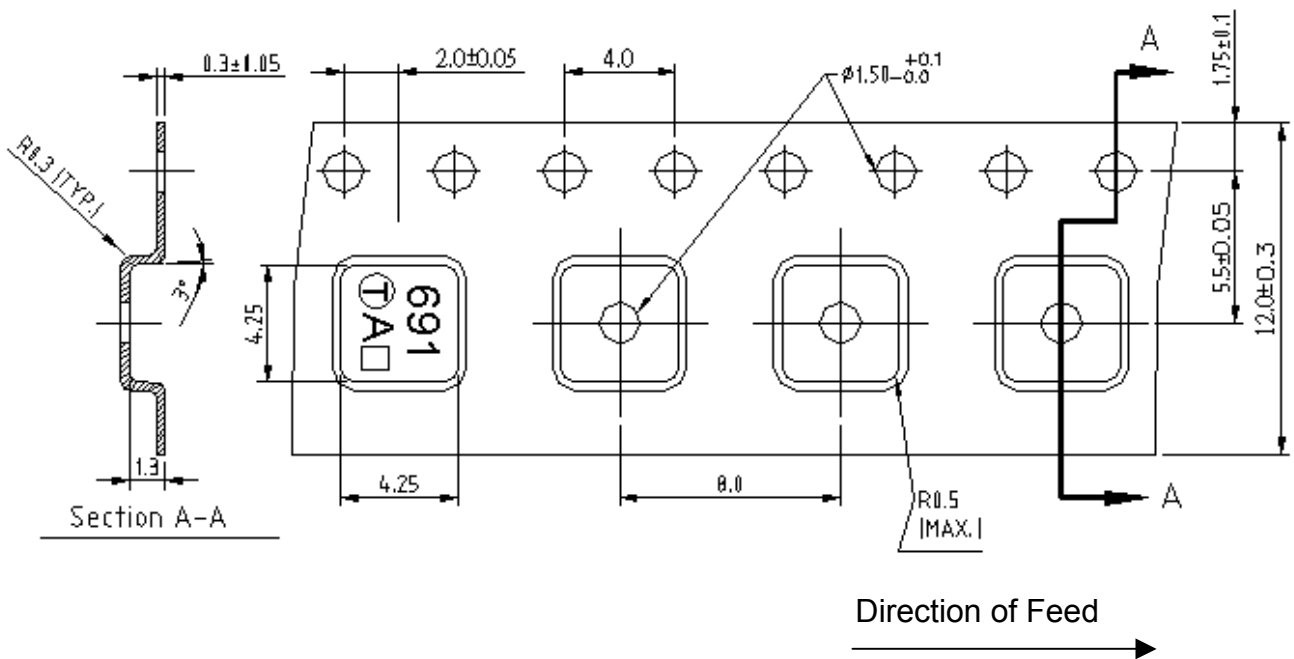
**G. PACKING:**

**1. REEL DIMENSION**

(Reel Count: 7"=1000 ; 13"=3000)



**2. TAPE DIMENSION**



**H. RECOMMENDED REFLOW PROFILE :**

