

CCD signal processing module



C9266-03/-04

Signal processing module for CCD area image sensor (S10810, S10811)

The C9266-03/-04 are signal processing circuit designed for HAMAMATSU CCD area image sensors S10810, S10811. The C9266-03/-04 can be used in X-ray applications such as X-ray imaging and non-destructive inspection when combined with these CCD area image sensors.

The C9266-03/-04 hold a CCD driver circuit, analog video signal processing circuit (12-bit A/D converter), timing generator, control circuit and power supply. The C9266-03/-04 convert analog video signals from a CCD into digital signals and outputs them. The USB connector (USB 2.0) provided as a standard feature easily connects to a PC for the C9266-03/-04 control and data acquisition. No additional power supply for C9266-03/-04 are needed since power is supplied from the PC through the USB connector. The C9266-03/-04 also have a 36-pin MDR connector for connection to a CCD. The C9266-03/-04 case is compact, lightweight and very easy to handle.

Application software (C9266DCamAPL) that comes with The C9266-03/-04 allow easy operation from a PC running on Windows 2000/Xp. A function library (DCamLIB.DLL) included with the application software helps you to develop your own software. This software is available with DLL to help you develop your own software programs under various developmental environments.

Features

- Built-in 12-bit AD converter
- Signal frequency: 1 MHz
- Adjustable offset
- Adjustable gain
- Interface of computer: USB 2.0
- Power supply: USB bus power or DC +5 V (C9266-03)
USB bus power (C9266-04)

Applications

- Control of X-ray CCD area image sensor (S10810, S10811) and data acquisition

Applicable CCD area image sensors

The table below shows CCD area image sensors applicable for C9266-03/-04.

Since the C9266-03/-04 do not include a CCD area image sensor, so select the desired sensor and order it separately.

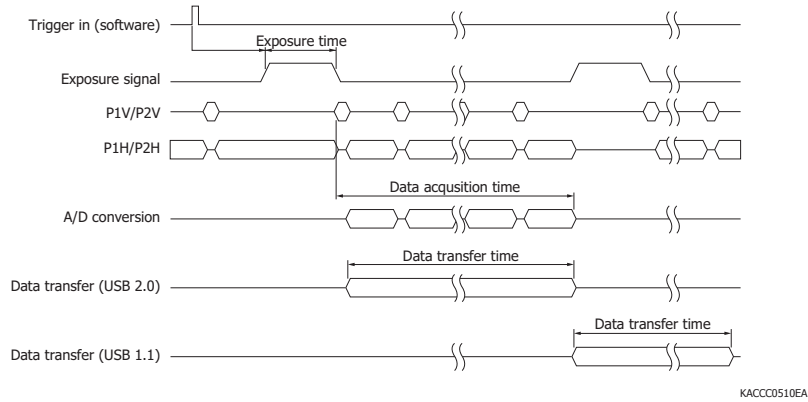
| CCD area image sensor | | | | |
|-----------------------|------------------|-------------------------|-----------------|-------------------------------|
| Type no. | Number of pixels | Number of active pixels | Pixel size (μm) | Active area [mm (H) × mm (V)] |
| S10810 | 1508 × 1002 | 1500 × 1000 | 20 × 20 | 30 × 20 |
| S10811 | 1708 × 1202 | 1700 × 1200 | 20 × 20 | 34 × 24 |

Specifications (Typ. Ta=25 °C, unless otherwise noted)

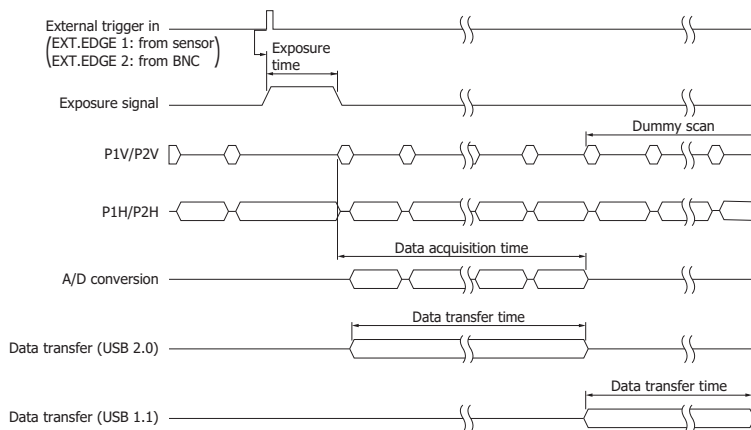
| Parameter | Condition | CCD area image sensor | | Unit |
|---------------------------|-----------------|----------------------------|--------|---------------------|
| | | S10810 | S10811 | |
| Scanning | | 1 | | MHz |
| Frame readout time | | 1.62 | 2.18 | s |
| Data transfer time | | 1.62 | 2.17 | s |
| Total transfer time | | 1.62 | 2.18 | s |
| A/D conversion resolution | 4095ADU | 12 | | bit |
| Conversion gain | | 48.8 | | e ⁻ /ADU |
| Readout noise | | 7 | | ADU |
| Dynamic range | | 585 | | - |
| Current consumption | | 350 max. | | mA |
| Storage temperature | | -20 to + 70 | | °C |
| Operating temperature | | 0 to + 50 | | °C |
| Operating humidity | No condensation | 70 max. | | % |
| Dimension | | 32 (H) × 115 (W) × 125 (D) | | mm |
| Weight | C9266-03 | Approx. 200 | | g |
| | C9266-04 | Approx. 170 | | |

Timing chart

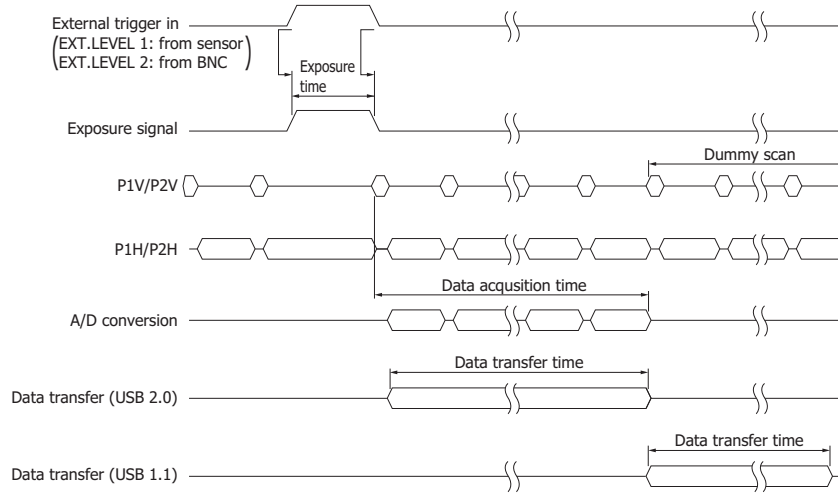
Internal synchronous mode ("INT" mode)



External trigger mode 1, 2 ("EXT.EDGE 1, 2" mode)



External trigger mode 3, 4 (EXT.LEVEL 1, 2" mode)

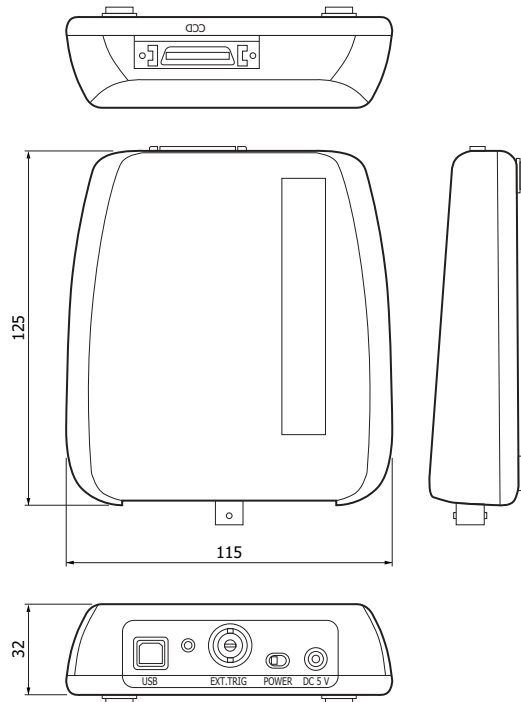


Note: "EXT.LEVEL 2" mode is not usable in the C9266-04 because there is not a BNC connector.

KACCC0512EA

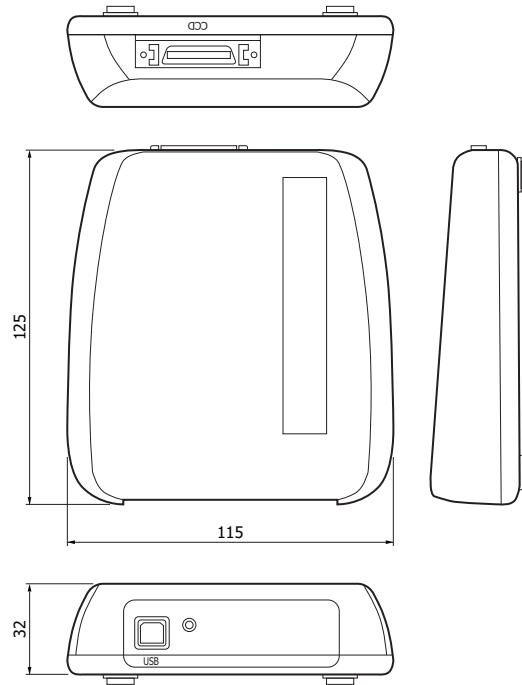
Dimensional outlines (unit: mm)

C9266-03



KACCA0270EA

C9266-04



KACCA0191EB

Pin connections

CCD connector (3M 10236-5202JL, 36-pin female)

| Pin no. | Signal name | Voltage (amplitude) | Pin no. | Signal name | Voltage (amplitude) |
|---------|-------------|---------------------|---------|-------------|---------------------|
| 1 | GND | +8 V | 19 | NC | |
| 2 | VCC | +13 V | 20 | P2H | 0 V/+12 V |
| 3 | SG | 0 V/+12 V | 21 | NC | |
| 4 | TRIGGER | +8 V/+13 V | 22 | P1H | 0 V/+12 V |
| 5 | RG | 0 V/+12 V | 23 | NC | |
| 6 | NC | | 24 | GND | +8 V |
| 7 | OG | +11 V | 25 | NC | |
| 8 | NC | | 26 | RD | +20 V |
| 9 | RD | +20 V | 27 | NC | |
| 10 | NC | | 28 | OD | +23 V |
| 11 | OD | +23 V | 29 | NC | |
| 12 | NC | | 30 | GND | +8 V |
| 13 | OUT | | 31 | NC | |
| 14 | NC | | 32 | OUT | |
| 15 | GND | +8 V | 33 | NC | |
| 16 | NC | | 34 | P2V | 0 V/+12 V |
| 17 | P1V | 0 V/+12 V | 35 | NC | |
| 18 | NC | | 36 | TG | 0 V/+12 V |

❑ "POWER" connector (DC power jack: compatible with EIAJ RC5320A, voltage class "2")

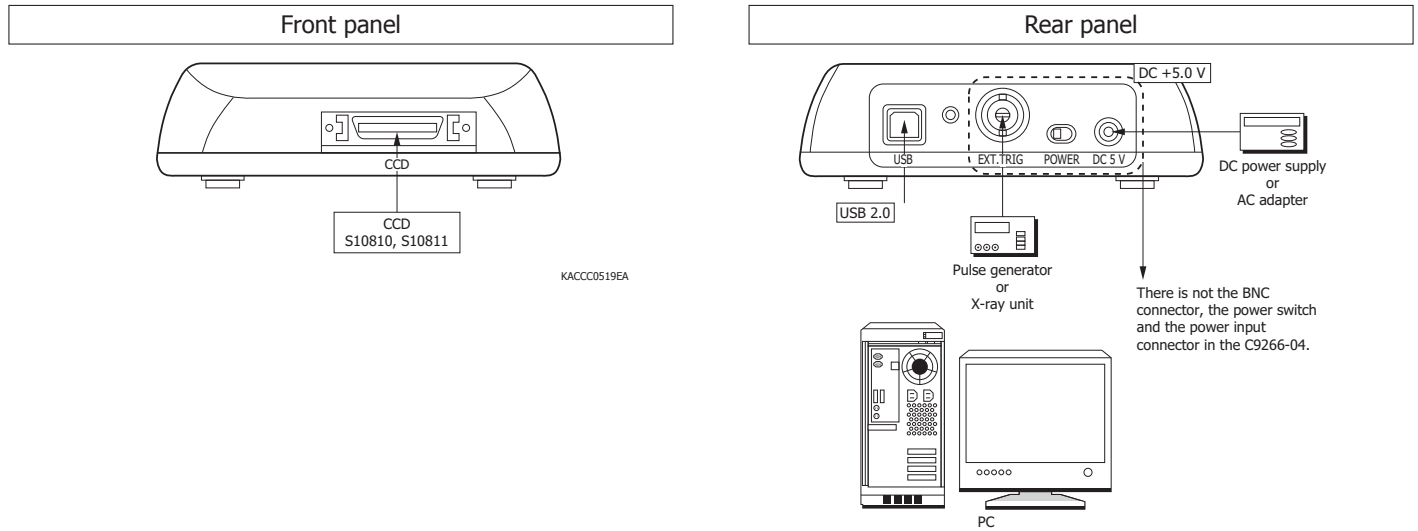


There is not a connector in the C9266-04.

KACCC0513EA

❑ Connection

Refer to the following diagram to connect hardware peripherals.

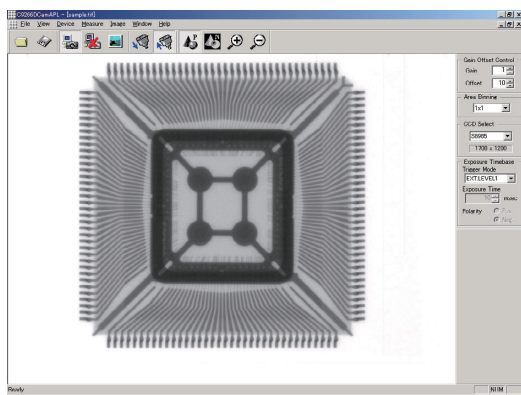


KACCC0519EA

KACCC0514EA

❑ Example of sample software (C9266DCamAPL) on PC screen

OS: Windows2000/XP



Information furnished by HAMAMATSU is believed to be reliable. However, no responsibility is assumed for possible inaccuracies or omissions. Specifications are subject to change without notice. No patent rights are granted to any of the circuits described herein. Type numbers of products listed in the specification sheets or supplied as samples may have a suffix "(X)" which means tentative specifications or a suffix "(Z)" which means developmental specifications. ©2010 Hamamatsu Photonics K.K.

HAMAMATSU

www.hamamatsu.com

HAMAMATSU PHOTONICS K.K., Solid State Division
 1126-1 Ichino-cho, Higashi-ku, Hamamatsu City, 435-8558 Japan, Telephone: (81) 53-434-3311, Fax: (81) 53-434-5184
 U.S.A.: Hamamatsu Corporation: 360 Foothill Road, P.O.Box 6910, Bridgewater, N.J. 08807-0910, U.S.A., Telephone: (1) 908-231-0960, Fax: (1) 908-231-1218
 Germany: Hamamatsu Photonics Deutschland GmbH: Arzbergerstr. 10, D-82211 Herrsching am Ammersee, Germany, Telephone: (49) 8152-375-0, Fax: (49) 8152-265-8
 France: Hamamatsu Photonics France S.A.R.L.: 19, Rue du Saule Trapu, Parc du Moulin de Massy, 91882 Massy Cedex, France, Telephone: 33-(1) 69 53 71 00, Fax: 33-(1) 69 53 71 10
 United Kingdom: Hamamatsu Photonics UK Limited: 2 Howard Court, 10 Tewin Road, Welwyn Garden City, Hertfordshire AL7 1BW, United Kingdom, Telephone: (44) 1707-294888, Fax: (44) 1707-325777
 North Europe: Hamamatsu Photonics Norden AB: Smidesvägen 12, SE-171 41 Solna, Sweden, Telephone: (46) 8-509-031-00, Fax: (46) 8-509-031-01
 Italy: Hamamatsu Photonics Italia S.R.L.: Strada della Moia, 1/E, 20020 Arese, (Milano), Italy, Telephone: (39) 02-935-81-733, Fax: (39) 02-935-81-741