



STEVAL-IHM023V2

1 kW 3-phase motor control demonstration board featuring L6390 drivers and STGP10NC60KD IGBT

Data brief

Features

- Minimum input voltage: 125 VDC or 90 VAC
- Maximum input voltage: 400 VDC or 285 VAC
- Input voltage range with applied input voltage doubler from 65 VAC to 145 VAC
- Voltage range for low-voltage motor control applications from 18 VDC to 35 VDC
- Possibility to use auxiliary +15 V supply voltage
- Maximum output power for motors up to 1 kW
- Regenerative brake control
- Input inrush limitation with bypass relay
- + 15 V auxiliary power supply based on buck converter with VIPer™16
- IGBT power switch STGP10NC60KD in a TO-220 package - compatible with other ST IGBTs or power MOSFETs in the TO-220 package
- Fully populated board design with test points and safety isolated plastic cover
- Motor control connector for interface with the STM3210B-EVAL board and other ST motor control dedicated kits
- Tachometer input
- Hall/encoder inputs
- Possibility to connect the BEMF daughterboard for sensorless six-step control of BLDC motors
- PCB type and size:
 - Material of PCB - FR-4
 - Double-sided layout
 - Copper thickness: 60 µm
 - Total dimensions of demonstration board: 127 mm x 180 mm
- RoHS compliant

Description

The STEVAL-IHM023V2 demonstration board implements a 1 kW three-phase motor control featuring the L6390 high and low-side drivers and



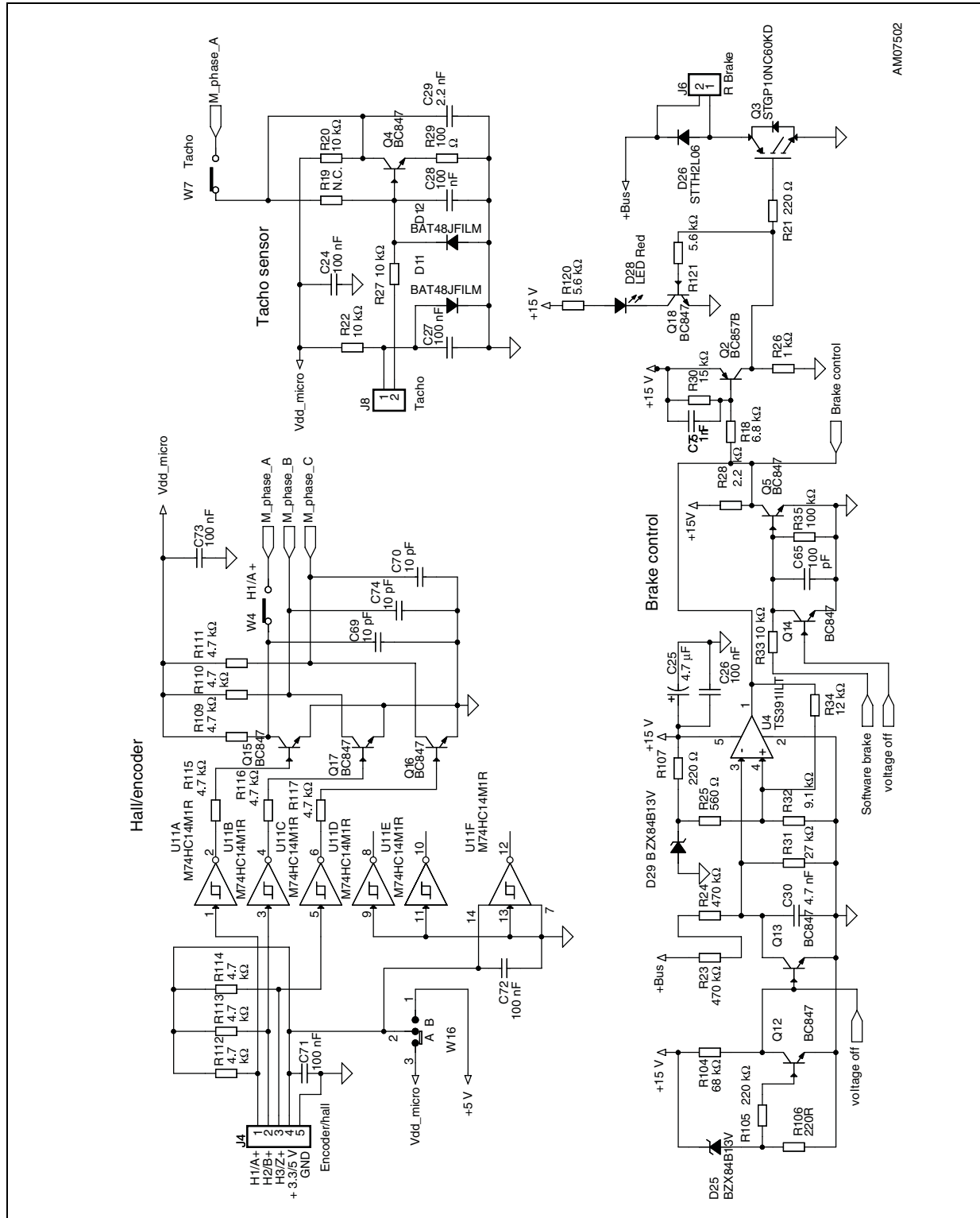
the STGP10NC60KD IGBT. The demonstration board is an AC/DC inverter that generates a three-phase waveform for driving three- or two-phase motors such as induction motors or PMSM motors up to 1000 W with or without sensors.

The STEVAL-IHM023V2 is a universal, fully evaluated and populated design consisting of a three-phase inverter bridge based on STMicroelectronics' 600 V IGBT STGP10NC60KD in a TO-220 package mounted on a heatsink and the L6390 high-voltage high-side and low-side driver featuring an integrated comparator for hardware protection features such as overcurrent and overtemperature. The driver also integrates an operational amplifier suitable for advanced current sensing. Thanks to this advanced characteristic, the system has been specifically designed to achieve an accurate and fast conditioning of the current feedback, thus matching the typical requirements in field oriented control (FOC).

The board has been designed to be compatible with single-phase mains, supplying from 90 VAC to 285 VAC or from 125 VDC to 400 VDC for DC voltage. With reconfiguration of the input sourcing, the board is suitable also for low-voltage DC applications up to 35 VDC.

1 Schematics

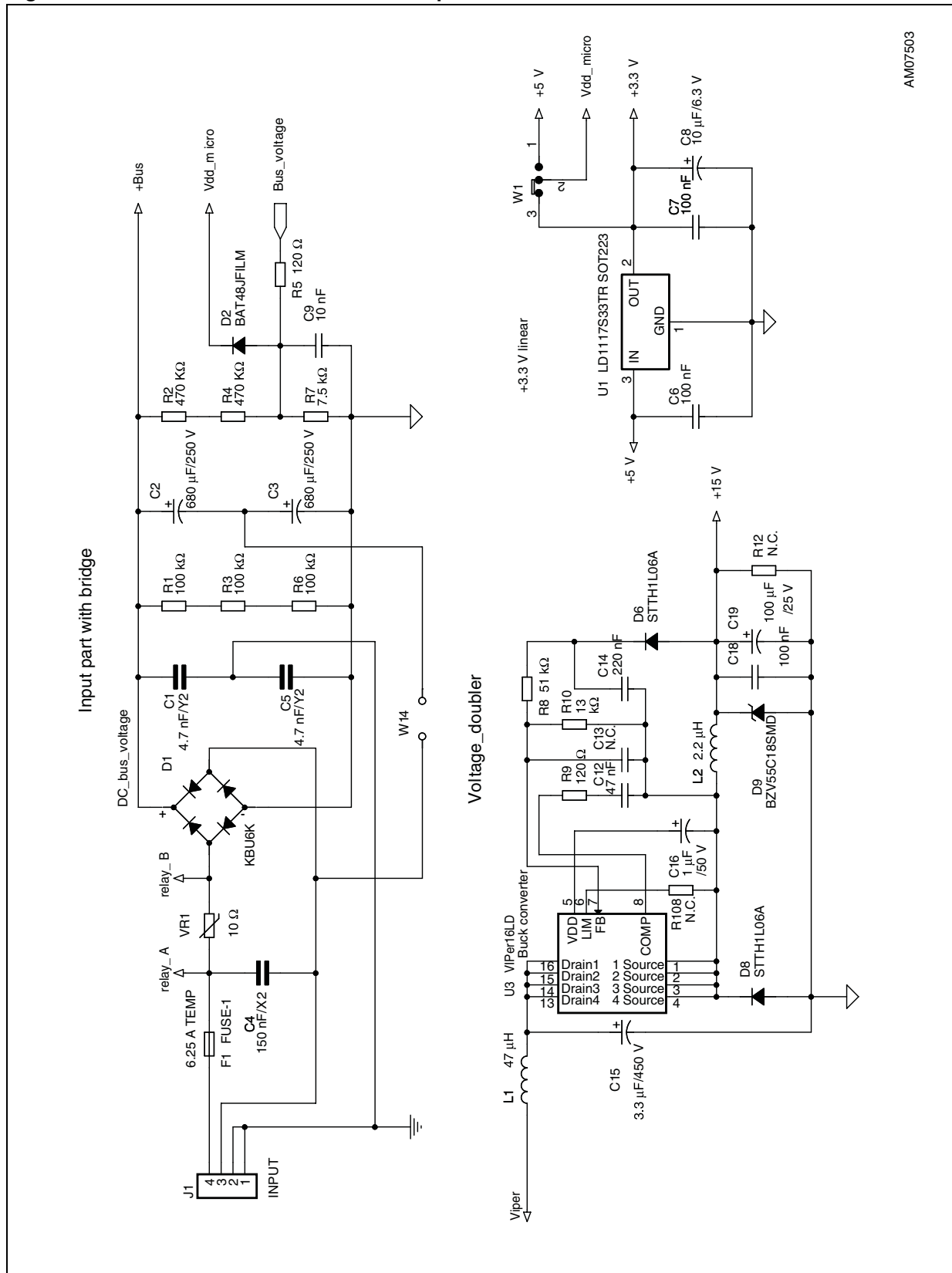
Figure 1. STEVAL- IHM023V2 schematic - part 1



AM07502

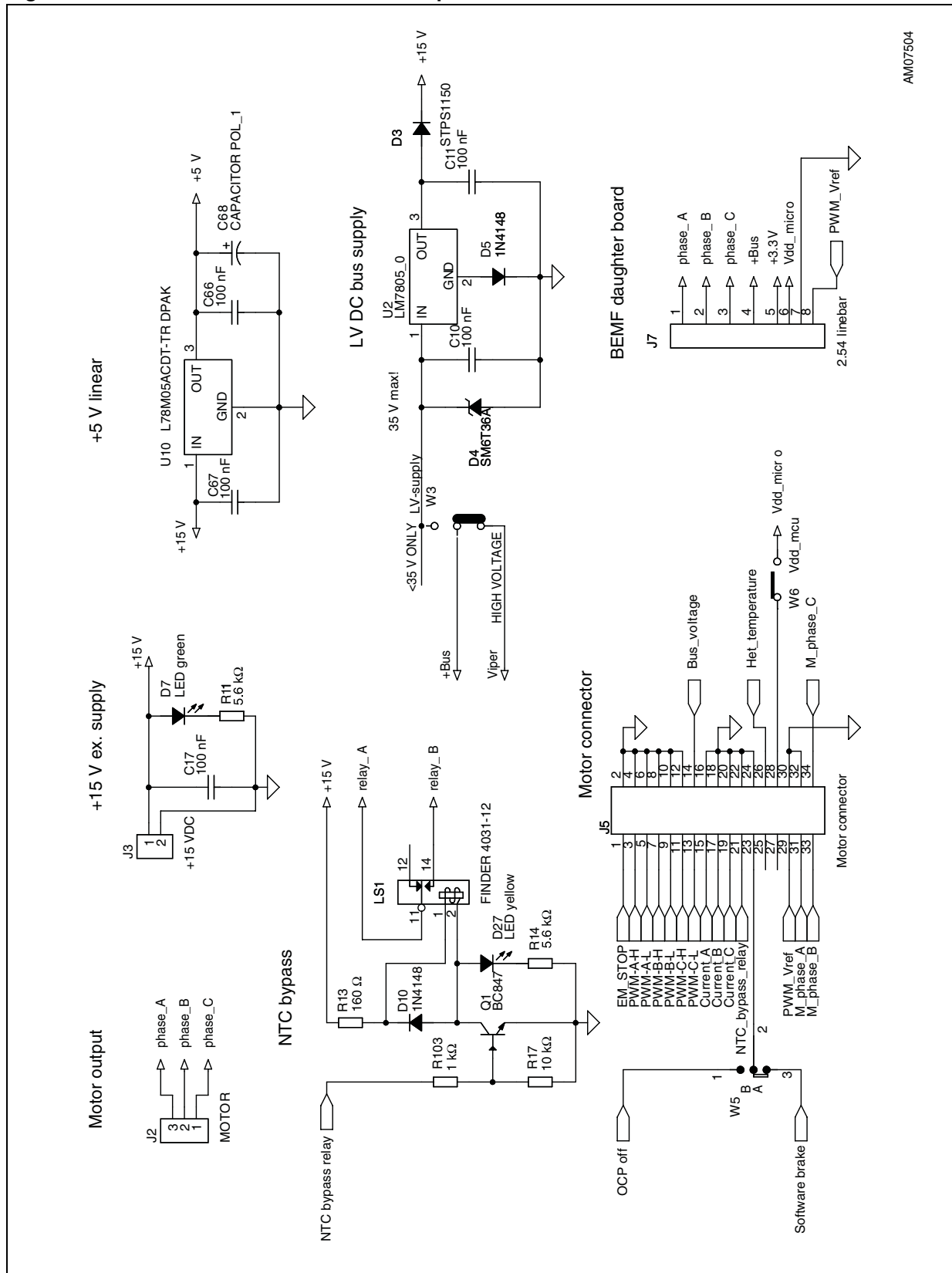


Figure 2. STEVAL- IHM023V2 schematic - part 2



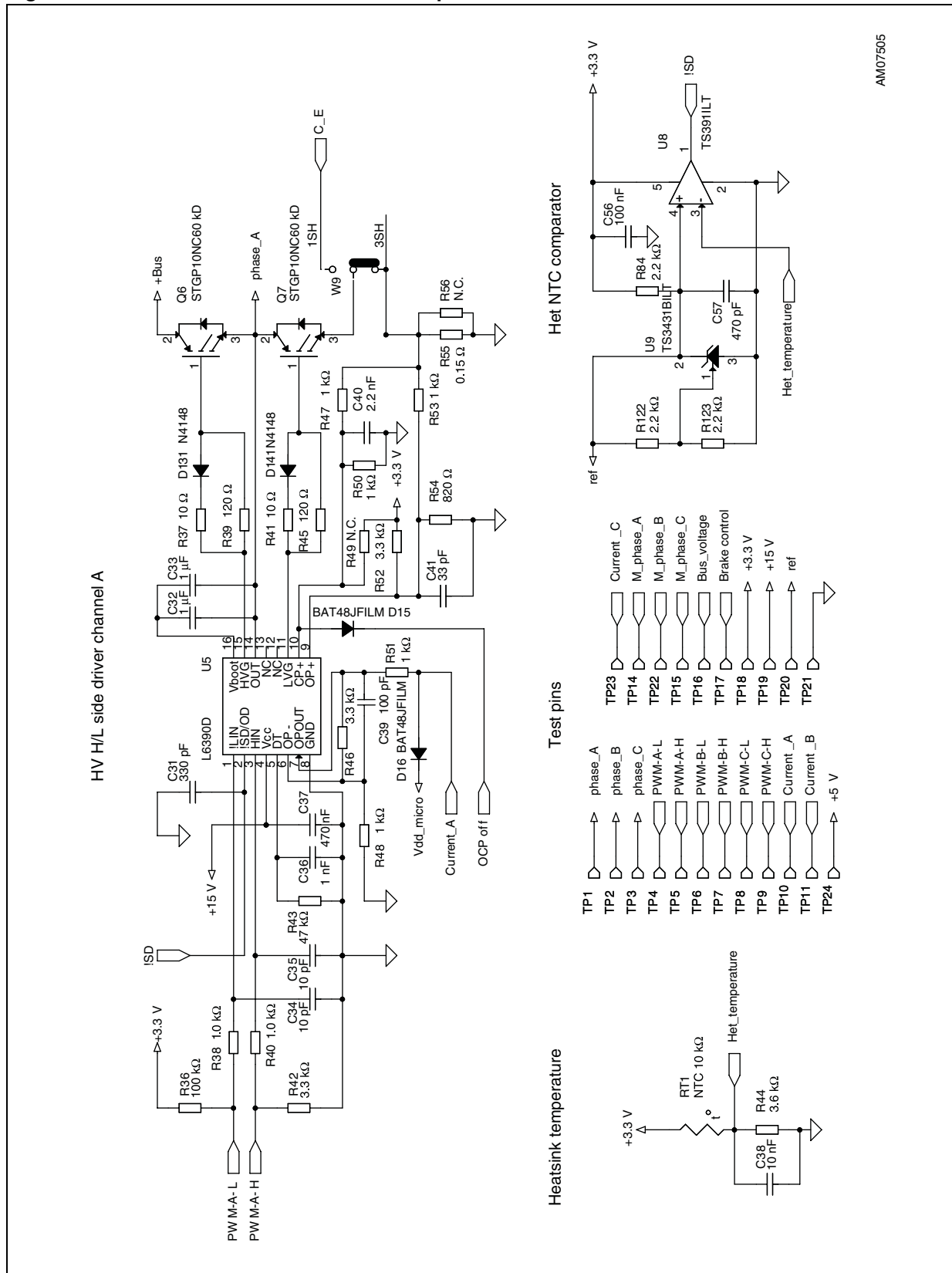
AM07503

Figure 3. STEVAL- IHM023V2 schematic - part 3



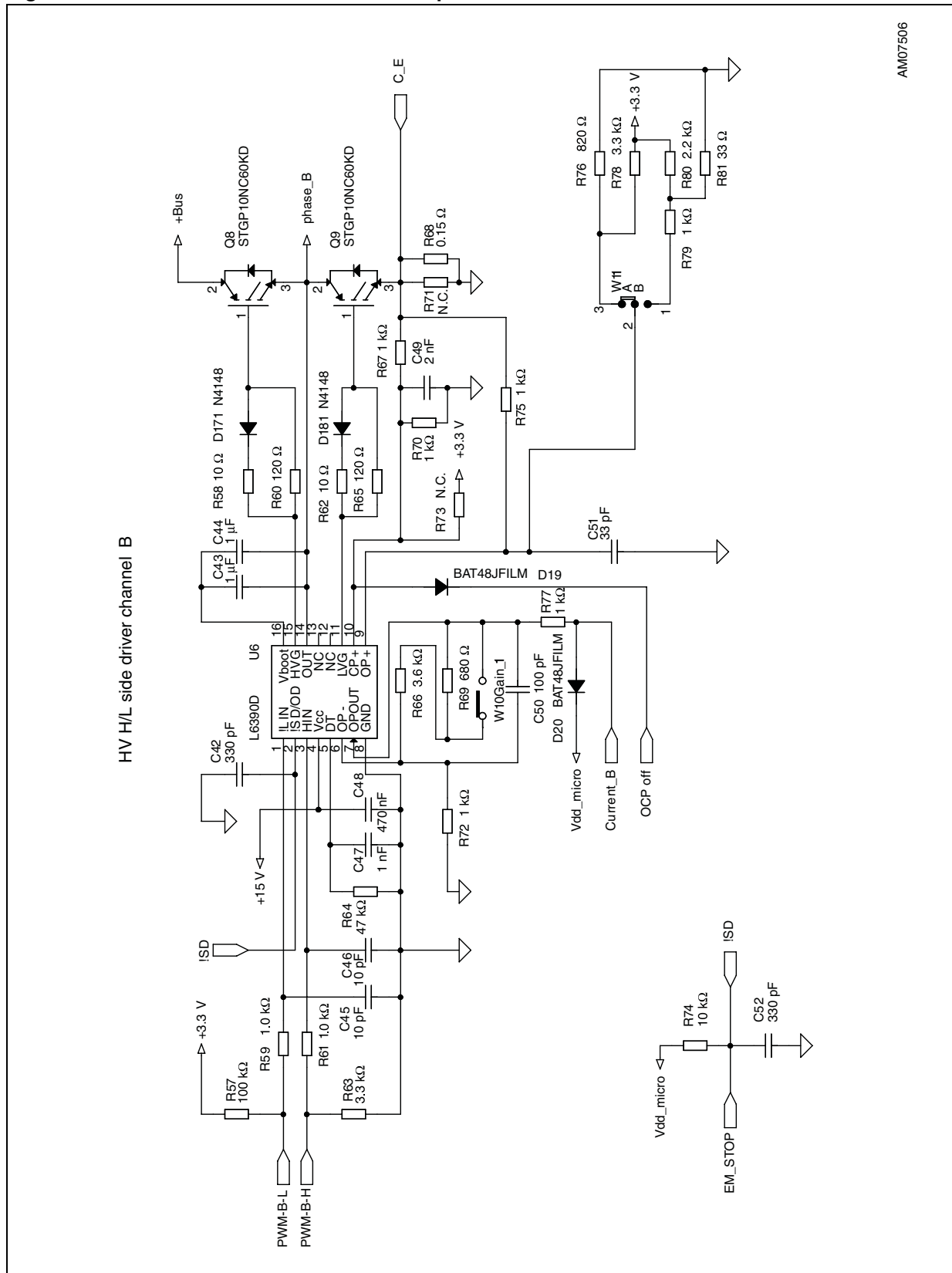
AM07504

Figure 4. STEVAL- IHM023V2 schematic - part 4



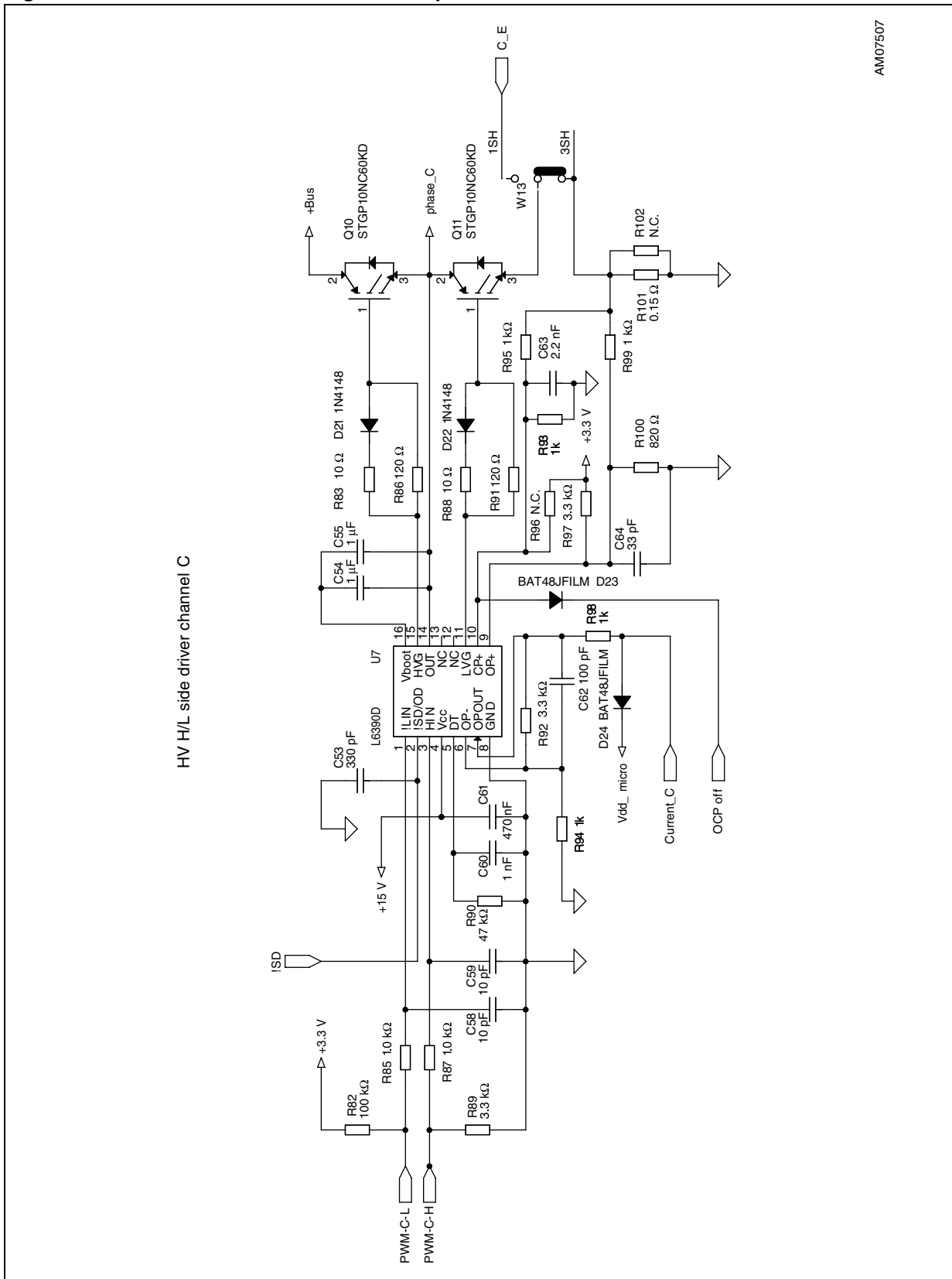
AM07505

Figure 5. STEVAL- IHM023V2 schematic - part 5



AM07506

Figure 6. STEVAL- IHM023V2 schematic - part 6



AM07507

2 Revision history

Table 1. Document revision history

Date	Revision	Changes
26-Sep-2011	1	Initial release.

Please Read Carefully:

Information in this document is provided solely in connection with ST products. STMicroelectronics NV and its subsidiaries ("ST") reserve the right to make changes, corrections, modifications or improvements, to this document, and the products and services described herein at any time, without notice.

All ST products are sold pursuant to ST's terms and conditions of sale.

Purchasers are solely responsible for the choice, selection and use of the ST products and services described herein, and ST assumes no liability whatsoever relating to the choice, selection or use of the ST products and services described herein.

No license, express or implied, by estoppel or otherwise, to any intellectual property rights is granted under this document. If any part of this document refers to any third party products or services it shall not be deemed a license grant by ST for the use of such third party products or services, or any intellectual property contained therein or considered as a warranty covering the use in any manner whatsoever of such third party products or services or any intellectual property contained therein.

UNLESS OTHERWISE SET FORTH IN ST'S TERMS AND CONDITIONS OF SALE ST DISCLAIMS ANY EXPRESS OR IMPLIED WARRANTY WITH RESPECT TO THE USE AND/OR SALE OF ST PRODUCTS INCLUDING WITHOUT LIMITATION IMPLIED WARRANTIES OF MERCHANTABILITY, FITNESS FOR A PARTICULAR PURPOSE (AND THEIR EQUIVALENTS UNDER THE LAWS OF ANY JURISDICTION), OR INFRINGEMENT OF ANY PATENT, COPYRIGHT OR OTHER INTELLECTUAL PROPERTY RIGHT.

UNLESS EXPRESSLY APPROVED IN WRITING BY TWO AUTHORIZED ST REPRESENTATIVES, ST PRODUCTS ARE NOT RECOMMENDED, AUTHORIZED OR WARRANTED FOR USE IN MILITARY, AIR CRAFT, SPACE, LIFE SAVING, OR LIFE SUSTAINING APPLICATIONS, NOR IN PRODUCTS OR SYSTEMS WHERE FAILURE OR MALFUNCTION MAY RESULT IN PERSONAL INJURY, DEATH, OR SEVERE PROPERTY OR ENVIRONMENTAL DAMAGE. ST PRODUCTS WHICH ARE NOT SPECIFIED AS "AUTOMOTIVE GRADE" MAY ONLY BE USED IN AUTOMOTIVE APPLICATIONS AT USER'S OWN RISK.

Resale of ST products with provisions different from the statements and/or technical features set forth in this document shall immediately void any warranty granted by ST for the ST product or service described herein and shall not create or extend in any manner whatsoever, any liability of ST.

ST and the ST logo are trademarks or registered trademarks of ST in various countries.

Information in this document supersedes and replaces all information previously supplied.

The ST logo is a registered trademark of STMicroelectronics. All other names are the property of their respective owners.

© 2011 STMicroelectronics - All rights reserved

STMicroelectronics group of companies

Australia - Belgium - Brazil - Canada - China - Czech Republic - Finland - France - Germany - Hong Kong - India - Israel - Italy - Japan - Malaysia - Malta - Morocco - Philippines - Singapore - Spain - Sweden - Switzerland - United Kingdom - United States of America

www.st.com