



## 2.5V DRIVE SILICON N-CHANNEL MOSFET

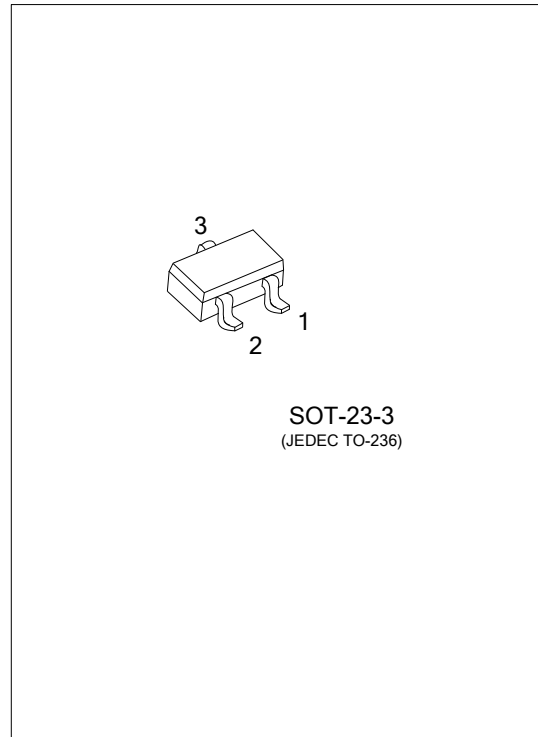
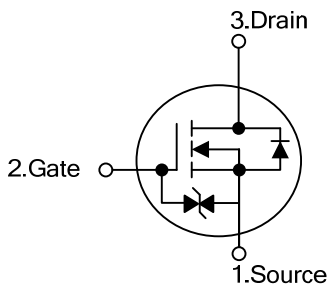
### DESCRIPTION

The UTC **UK3019** is a silicon N-channel MOSFET which has been designed to minimize on-state resistance while it provides rugged, reliable and fast switching performance. The product is particularly suited for low voltage, low current applications such as small servo motor controller, power MOSFET gate drivers, and other switching applications.

### FEATURES

- \* Min  $V_{DSS} = 30V$
- \*  $R_{DS(ON)} = 5\Omega (V_{GS}=4V)$
- \*  $R_{DS(ON)} = 7\Omega (V_{GS}=2.5V)$
- \* Pulsed  $I_D = 400mA$
- \* Low Voltage Drive (2.5V)

### SYMBOL

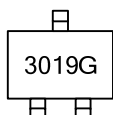


### ORDERING INFORMATION

Ordering Number	Package	Pin Assignment			Packing
		1	2	3	
UK3019G-AE2-R	SOT-23-3	S	G	D	Tape Reel

<p>UK3019G-AE2-R</p> <ul style="list-style-type: none"> <li>(1) Packing Type</li> <li>(2) Package Type</li> <li>(3) Halogen Free</li> </ul>	<ul style="list-style-type: none"> <li>(1) R: Tape Reel</li> <li>(2) AE2: SOT-23-3</li> <li>(3) G: Halogen Free</li> </ul>
---------------------------------------------------------------------------------------------------------------------------------------------	----------------------------------------------------------------------------------------------------------------------------

### MARKING



■ ABSOLUTE MAXIMUM RATING (Ta=25°C, unless otherwise specified)

PARAMETER	SYMBOL	RATINGS	UNIT
Drain-Source Voltage	V <sub>DSS</sub>	30	V
Gate-Source Voltage	V <sub>GSS</sub>	±20	V
Drain Current	Continuous	I <sub>D</sub>	100
	Pulsed (Note 2)	I <sub>DP</sub>	400
Power Dissipation (Note 3)	P <sub>D</sub>	200	mW
Junction Temperature	T <sub>J</sub>	+150	°C
Storage Temperature	T <sub>STG</sub>	-55 ~ +150	°C

Notes: 1. Absolute maximum ratings are those values beyond which the device could be permanently damaged.

Absolute maximum ratings are stress ratings only and functional device operation is not implied.

2. Pw ≤ 10μs, Duty cycle ≤ 50%

3. With each pin mounted on the recommended lands.

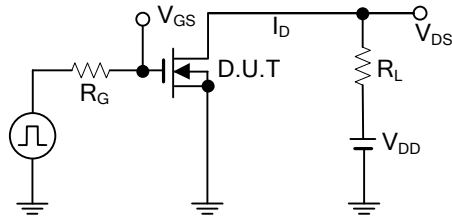
■ THERMAL DATA

PARAMETER	SYMBOL	RATINGS	UNIT
Junction to Ambient	θ <sub>JA</sub>	625	°C/W

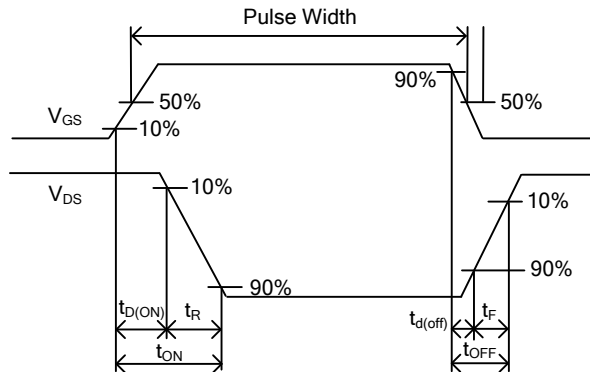
■ ELECTRICAL CHARACTERISTICS (Ta=25°C, unless otherwise specified)

PARAMETER	SYMBOL	TEST CONDITIONS	MIN	TYP	MAX	UNIT
<b>OFF CHARACTERISTICS</b>						
Drain-Source Breakdown Voltage	BV <sub>DSS</sub>	V <sub>GS</sub> =0V, I <sub>D</sub> =10μA	30			V
Drain-Source Leakage Current	I <sub>DSS</sub>	V <sub>DS</sub> =30V, V <sub>GS</sub> =0V			1.0	μA
Gate-Source Leakage Current	I <sub>GSS</sub>	V <sub>DS</sub> =0V, V <sub>GS</sub> =±20V			±1	μA
<b>ON CHARACTERISTICS</b>						
Gate Threshold Voltage	V <sub>GS(TH)</sub>	V <sub>DS</sub> =3V, I <sub>D</sub> =100μA	0.8		1.5	V
Static drain-source on-state resistance	R <sub>DS(ON)</sub>	I <sub>D</sub> = 10mA, V <sub>GS</sub> = 4V		5	8	Ω
		I <sub>D</sub> = 1mA, V <sub>GS</sub> = 2.5V		7	13	Ω
<b>DYNAMIC PARAMETERS</b>						
Input Capacitance	C <sub>ISS</sub>	V <sub>DS</sub> =5V, V <sub>GS</sub> =0V, f = 1MHz		13		pF
Output Capacitance	C <sub>OSS</sub>			9		pF
Reverse Transfer Capacitance	C <sub>RSS</sub>			4		pF
<b>SWITCHING PARAMETERS</b>						
Turn-ON Delay Time	t <sub>D(ON)</sub>	V <sub>GS</sub> = 5V, V <sub>DD</sub> ≈ 5V I <sub>D</sub> = 10mA, R <sub>L</sub> = 500Ω, R <sub>G</sub> = 10Ω		15		ns
Turn-ON Rise Time	t <sub>R</sub>			35		ns
Turn-OFF Delay Time	t <sub>D(OFF)</sub>			80		ns
Turn-OFF Fall-Time	t <sub>F</sub>			80		ns

■ TEST CIRCUITS AND WAVEFORMS



Switching Time Measurement Circuit



Switching Time Waveforms

UTC assumes no responsibility for equipment failures that result from using products at values that exceed, even momentarily, rated values (such as maximum ratings, operating condition ranges, or other parameters) listed in products specifications of any and all UTC products described or contained herein. UTC products are not designed for use in life support appliances, devices or systems where malfunction of these products can be reasonably expected to result in personal injury. Reproduction in whole or in part is prohibited without the prior written consent of the copyright owner. The information presented in this document does not form part of any quotation or contract, is believed to be accurate and reliable and may be changed without notice.