

## Specification Status: RELEASED

### GENERAL DESCRIPTION

TE Circuit Protection PolyZen devices are polymer enhanced, precision Zener diode micro-assemblies. They offer resettable protection against multi-Watt fault events without the need for multi-Watt heat sinks.



The Zener diode used for voltage clamping in a PolyZen micro-assembly was selected due to its relatively flat voltage vs current response. This helps improve output voltage clamping, even when input voltage is high and diode currents are large.

An advanced feature of the PolyZen micro-assembly is that the Zener diode is thermally coupled to a resistively non-linear, polymer PTC (positive temperature coefficient) layer. This PTC layer is fully integrated into the device, and is electrically in series between  $V_{IN}$  and the diode clamped  $V_{OUT}$ .

This advanced PTC layer responds to either extended diode heating or overcurrent events by transitioning from a low to high resistance state, also known as "tripping". A tripped PTC will limit current and generate voltage drop. It helps to protect both the Zener diode and the follow-on electronics and effectively increases the diode's power handling capability.

The polymer enhanced Zener diode helps protect sensitive portable electronics from damage caused by inductive voltage spikes, voltage transients, incorrect power supplies and reverse bias. These devices are particularly suitable for portable electronics and other low-power DC devices.

### BENEFITS

- Stable Zener diode helps shield downstream electronics from overvoltage and reverse bias
- Trip events shut out overvoltage and reverse bias sources
- Analog nature of trip events minimizes upstream inductive spikes
- Minimal power dissipation requirements
- Single component placement

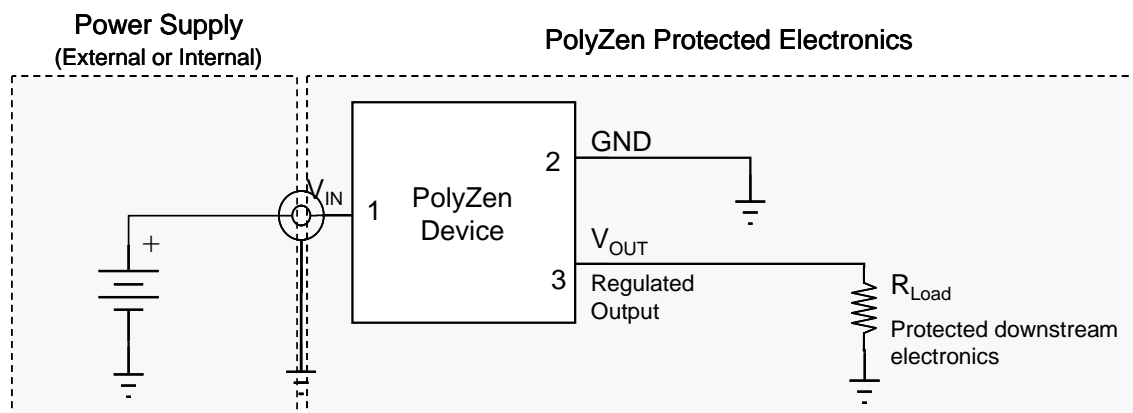
### FEATURES

- Overvoltage transient suppression
- Stable  $V_Z$  vs fault current
- Time delayed, overvoltage trip
- Time delayed, reverse bias trip
- Multi-Watt power handling capability
- Integrated device construction
- RoHS Compliant

### TARGET APPLICATIONS

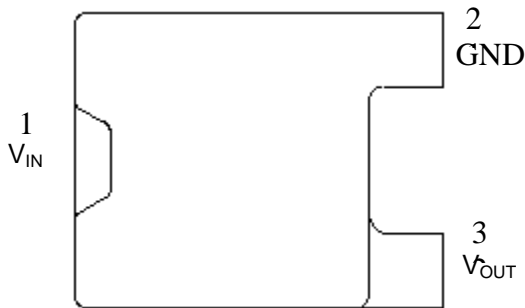
- DC power port protection in portable electronics
- DC power port protection for systems using barrel jacks for power input
- Internal overvoltage & transient suppression
- DC output voltage regulation
- Tablet PCs and portable electronics

### TYPICAL APPLICATION BLOCK DIAGRAM

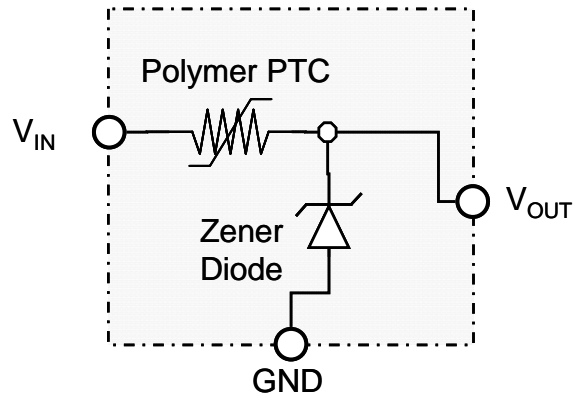


## CONFIGURATION INFORMATION

### Pin Configuration (Top View)



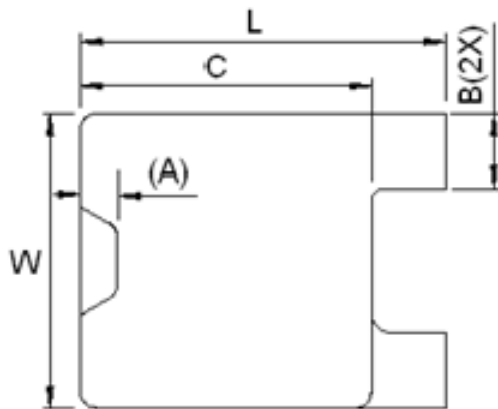
### Block Diagram



## PIN DESCRIPTION

Pin Number	Pin Name	Pin Function
1	$V_{IN}$	$V_{IN}$ - Protected input to Zener diode
2	GND	<b>GND</b>
3	$V_{OUT}$	$V_{OUT}$ - Zener regulated voltage output

## MECHANICAL DIMMENSIONS

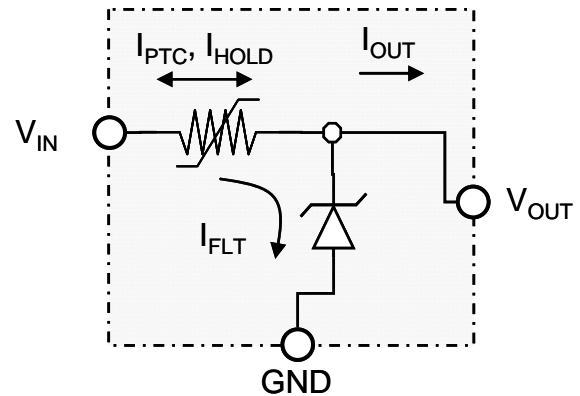


		Min	Typ	Max
		(mm)		
Length	L	4.8	5.0	5.2
Width	W	3.8	4.0	4.2
Height	H	0.8	1.0	1.2
Dimension	(A)	0.7	0.8	0.9
	B(2X)	0.9	1.0	1.1
	C	3.9	4.05	4.2
	T(2X)	0.1	0.2	0.3

### Over-Voltage Circuit Protection Products

## DEFINITION of TERMS

$I_{PTC}$	Current flowing through the PTC portion of the circuit
$I_{FLT}$	RMS fault current flowing through the diode
$I_{OUT}$	Current flowing out the $V_{OUT}$ pin of the device
Trip Event	A condition where the PTC transitions to a high resistance state, thereby significantly limiting $I_{PTC}$ and related currents.
Trip Endurance	Time the PTC portion of the device remains in a high resistance state.



## GENERAL SPECIFICATIONS

Operating Temperature       $-40^{\circ}$  to  $+85^{\circ}\text{C}$

Storage Temperature           $-40^{\circ}$  to  $+85^{\circ}\text{C}$

## TYPICAL ELECTRICAL CHARACTERISTICS<sup>1-3, 11</sup> (Typical unless otherwise specified)

$V_Z^4$ (V)			$I_{ZT}^4$ (A)	$I_{HOLD}^5$ (A) @ 20°C	Leakage Current		$R_{Typ}^6$ (Ohms)	$R1_{Max}^7$ (Ohms)	$V_{INT} Max^8$		$I_{FLT} Max^9$		Tripped Power Dissipation <sup>10</sup>	
Min	Typ	Max			Test Voltage (V)	Max Current (mA)			$V_{INT} Max$ (V)	Test Current (A)	$I_{FLT} Max$ (A)	Test Voltage (V)	Power (W)	Test Voltage (V)
5.45	5.60	5.75	0.1	1.3	5.25	10.0	0.07	0.105	24	3	+10 -40	+24 -16	1	24

Note 1: Electrical characteristics determined at 25°C unless otherwise specified.

Note 2: This device is intended for limited fault protection. Repeated trip events or extended trip endurance can degrade the device and may affect performance to specifications. Performance impact will depend on multiple factors including, but not limited to, voltage, trip current, trip duration, trip cycles, and circuit design. For details or ratings specific to your application contact TE Connectivity Circuit Protection Division directly.

Note 3: Specifications developed using 1.0 ounce 0.045" wide copper traces on dedicated FR4 test boards. Performance in your application may vary.

Note 4:  $I_{ZT}$  is the current at which  $V_Z$  is measured ( $V_Z = V_{OUT}$ ). Additional  $V_Z$  values are available on request.

Note 5:  $I_{HOLD}$ : Maximum steady state  $I_{PTC}$  (current entering or exiting the  $V_{IN}$  pin of the device) that will not generate a trip event at the specified temperature. Specification assumes  $I_{FLT}$  (current flowing through the Zener diode) is sufficiently low so as to prevent the diode from acting as a heat source. Testing is conducted with an "open" Zener.

Note 6:  $R_{Typ}$ : Resistance between  $V_{IN}$  and  $V_{OUT}$  pins during normal operation at room temperature.

Note 7:  $R1_{Max}$ : The maximum resistance between  $V_{IN}$  and  $V_{OUT}$  pins at room temperature, one hour after first tripped event or after reflow soldering.

Note 8:  $V_{INT} Max$ :  $V_{INT} Max$  is defined as the voltage at which typical qualification devices (98% devices, 95% confidence) survived at least 100 trip cycles and 24 hours trip endurance at the specified voltage and current ( $I_{PTC}$ ).  $V_{INT} Max$  testing is conducted using a "shorted" load ( $V_{OUT} = 0$  V).  $V_{INT} Max$  is a survivability rating, not a performance rating. For performance ratings, see Note 2.

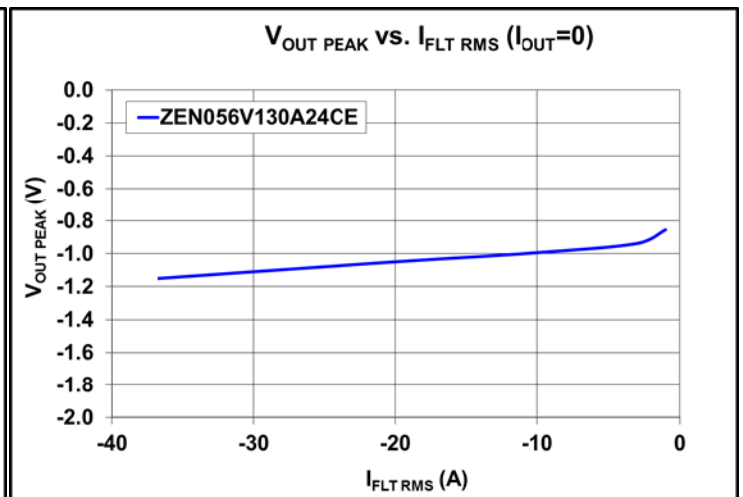
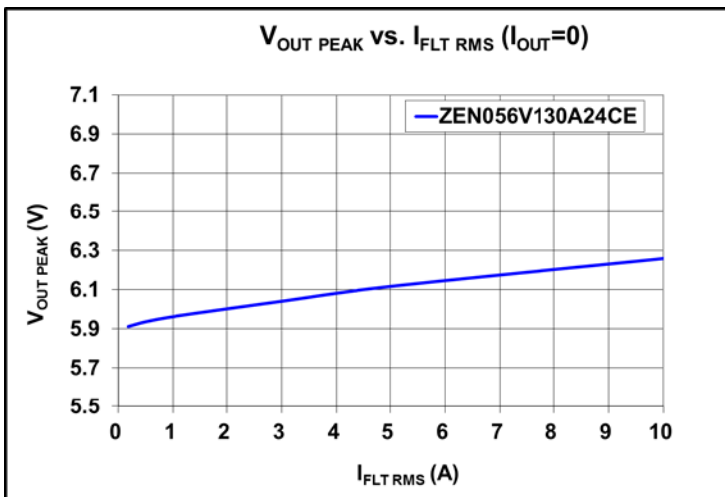
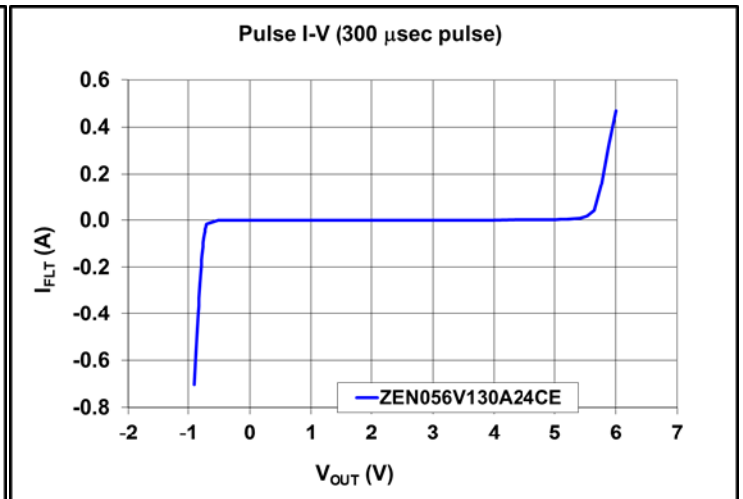
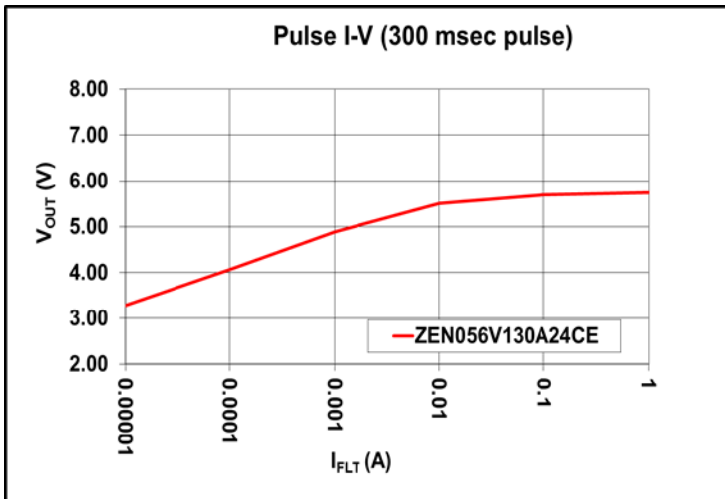
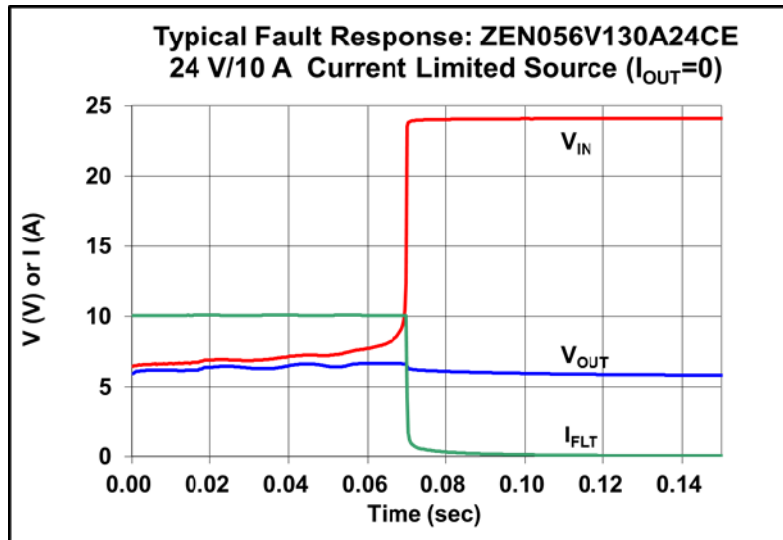
Note 9:  $I_{FLT} Max$ : Maximum RMS fault current the diode portion of the device can withstand and remain resettable. Specification is dependent on the direction of current flow through the diode. RMS fault currents above  $I_{FLT} Max$  may permanently damage the PolyZen device. Specification assumes  $I_{OUT} = 0$ . Testing conducted with no load connected to  $V_{OUT}$ .

Note 10: The power dissipated by the device when in the "tripped" state, as measured on TE test boards (see note 3).

Note 11: Specifications based on limited qualification data and subject to change.

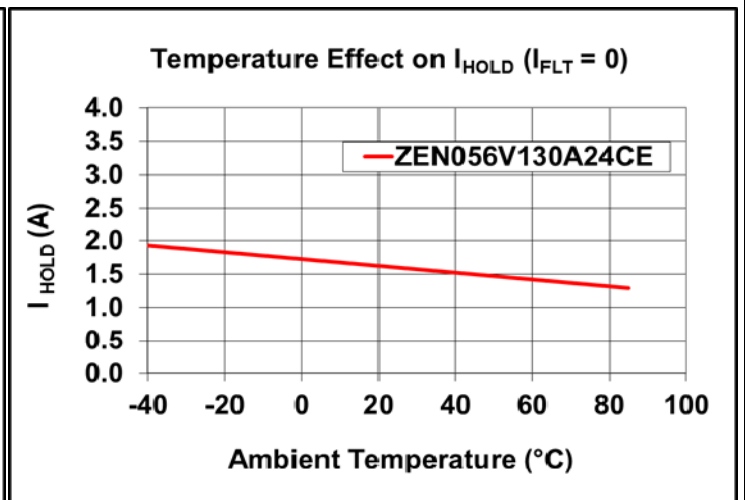
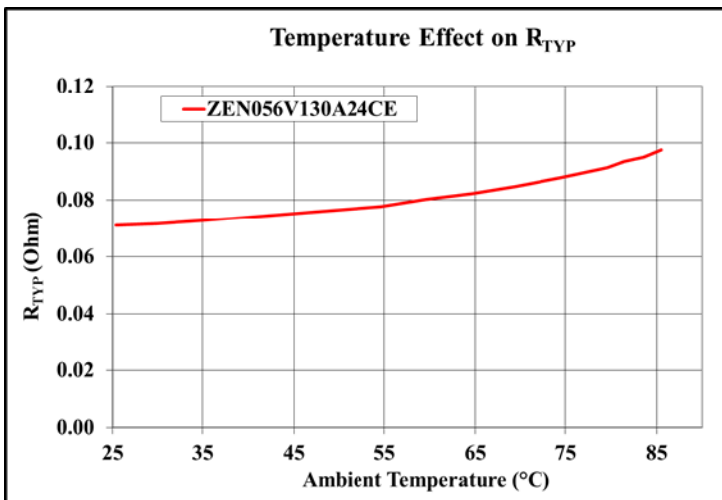
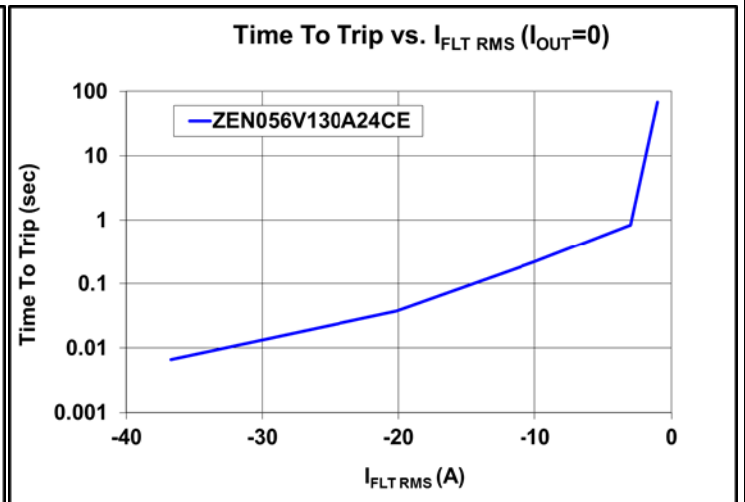
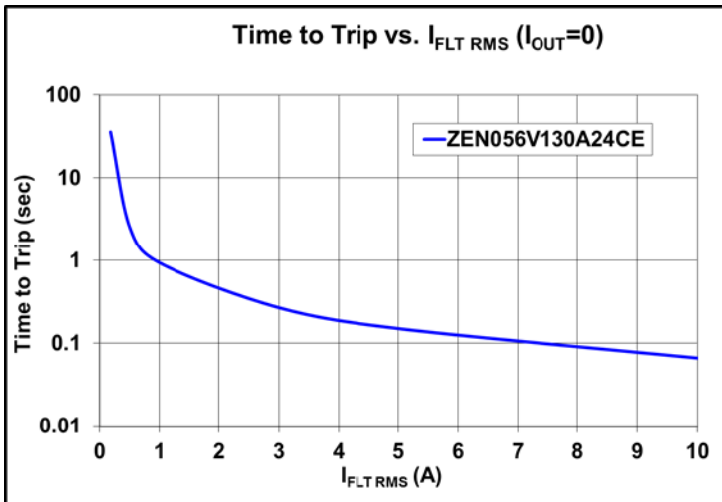
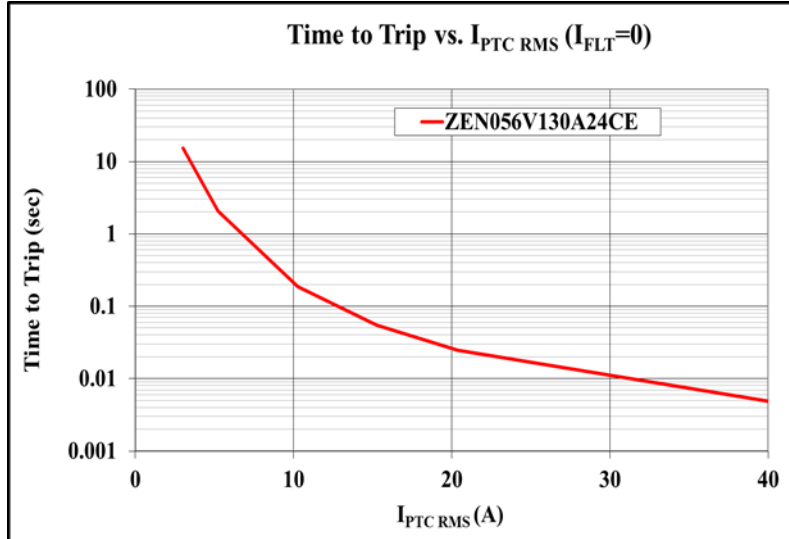
*Over-Voltage Circuit Protection Products*

**TYPICAL DEVICE CHARACTERISTICS**



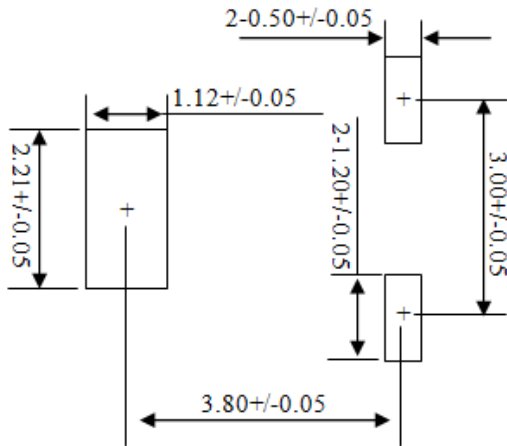
**PolyZen**  
Polymer Enhanced Zener Diode  
Micro-Assemblies

*Over-Voltage Circuit Protection Products*

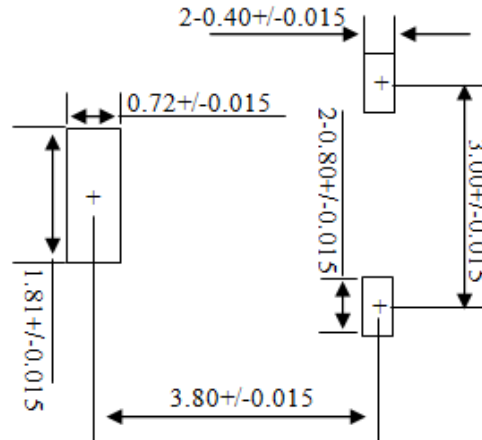


**Over-Voltage Circuit Protection Products**

**RECOMMENDED PAD LAYOUT (mm)**

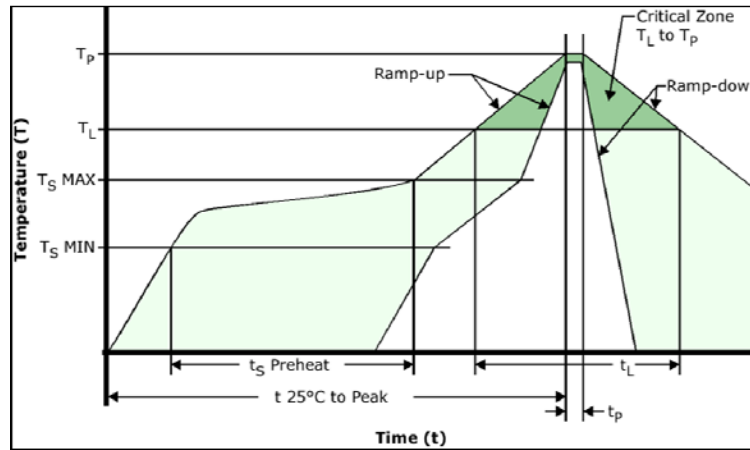


**RECOMMENDED SOLDER STENCIL (mm)**



Solder thickness – 0.15mm

**RECOMMENDED SOLDER REFLOW PROFILE**



Classification Reflow Profiles	
Profile Feature	Pb-Free Assembly
Average Ramp-up Rate (Ts Max to Tp)	3° C/second max
Average Ramp-down Rate (Tp to Tl)	6° C/second max
<b>Preheat</b>	
• Temperature Min (Ts Min)	150° C
• Temperature Max (Ts Max)	200° C
• Time (ts Preheat)	60-180 seconds
<b>Time maintained above:</b>	
• Temperature (Tl)	217° C
• Time (tl)	60-150 seconds
<b>Peak / Classification Temperature</b>	
• Temperature (Tp)	260° C
<b>Time within 5° C of actual peak</b>	
• Time (tp)	20-40 seconds
<b>Time 25° C to peak Temperature</b>	8 minutes max

# PolyZen

## Polymer Enhanced Zener Diode Micro-Assemblies

**PRODUCT: ZEN056V130A24CE**

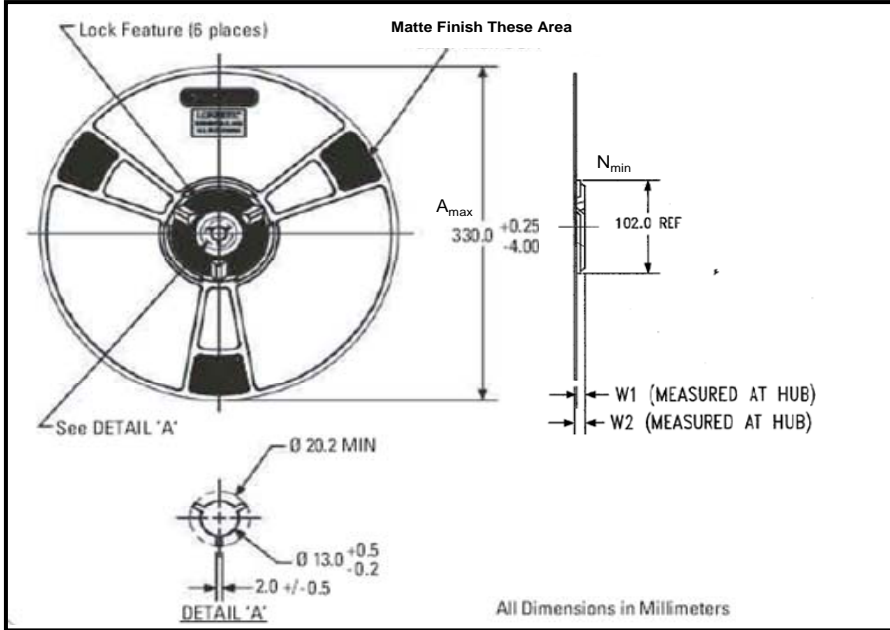
DOCUMENT: SCD28167  
REV LETTER: A  
REV DATE: JUNE 08, 2012  
PAGE NO.: 7 OF 8

### Over-Voltage Circuit Protection Products

## PACKAGING

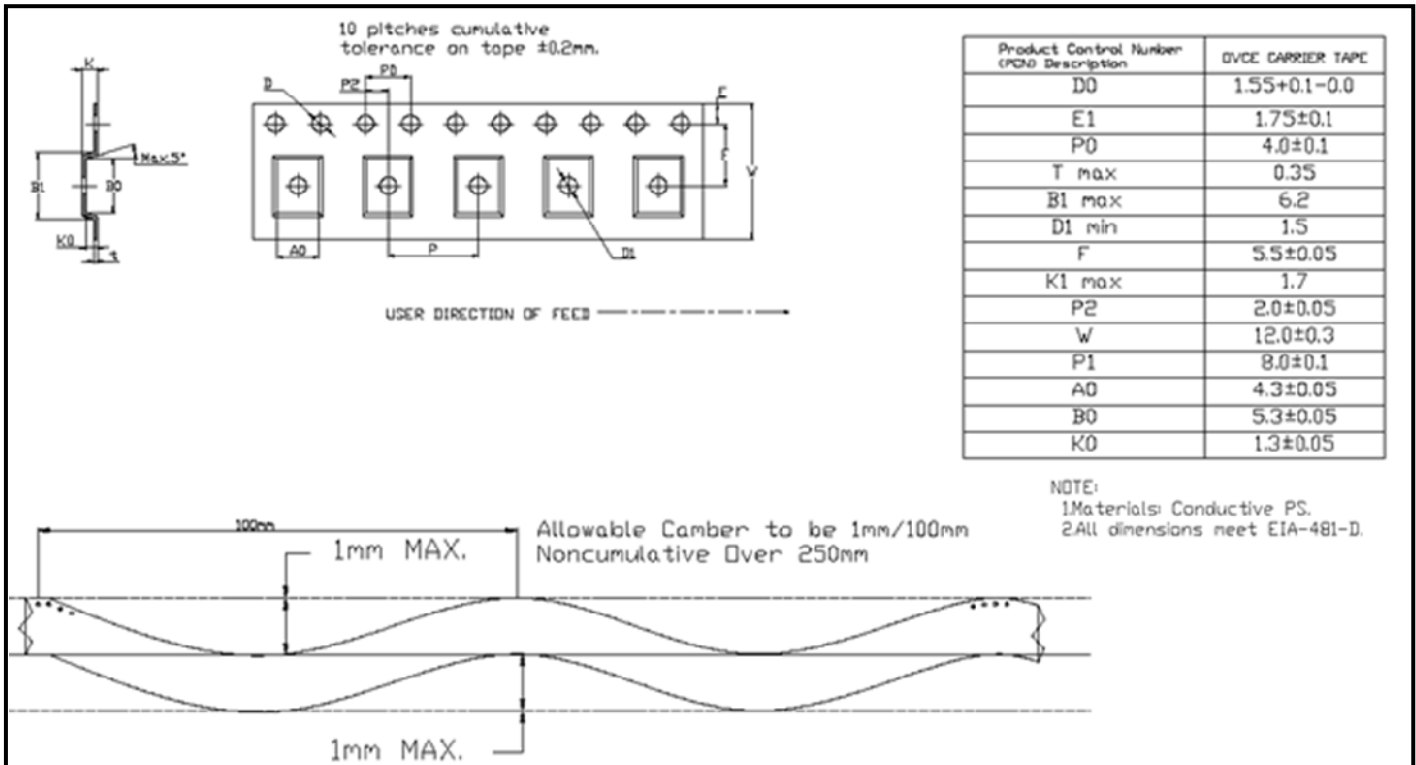
Packaging	Tape & Reel	Standard Box
ZEN056V130A24CE	4,000	20,000

## REEL DIMENSION



$A_{max} = 330$   
 $N_{min} = 102$   
 $W_1 = 8.4$   
 $W_2 = 11.1$

## TAPE DIMENSIONS





# PolyZen

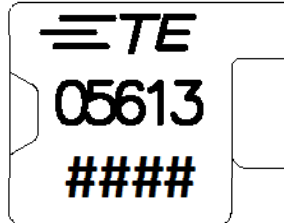
## Polymer Enhanced Zener Diode Micro-Assemblies

**PRODUCT: ZEN056V130A24CE**

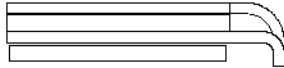
 DOCUMENT: SCD28167  
REV LETTER: A  
REV DATE: JUNE 08, 2012  
PAGE NO.: 8 OF 8

### Over-Voltage Circuit Protection Products

## DEVICE MARKINGS INFORMATION



Markings	Vz	Hold Current
05613	5.6V	1.3A
####	Last 4 digits of batch number	



## MATERIALS INFORMATION

### ROHS Compliant

 Directive 2002/95/EC  
Compliant

### ELV Compliant

 Directive 2000/53/EC  
Compliant

### Halogen Free\*



\* Halogen Free refers to: Br≤900ppm, Cl≤900ppm, Br+Cl≤1500ppm.

All information, including illustrations, is believed to be accurate and reliable. Users, however, should independently evaluate the suitability of and test each product selected for their application. Tyco Electronics Corporation and/or its Affiliates in the TE Connectivity Ltd. family of companies ("TE") makes no warranties as to the accuracy or completeness of the information, and disclaims any liability regarding its use. TE's only obligations are those in the TE Standard Terms and Conditions of Sale and in no case will TE be liable for any incidental, indirect, or consequential damages arising from the sale, resale, use, or misuse of its products. Specifications are subject to change without notice. In addition, TE reserves the right to make changes to materials or processing that do not affect compliance with any applicable specification without notification to Buyer. Without express written consent by an officer of TE, TE does not authorize the use of any of its products as components in nuclear facility applications, aerospace, or in critical life support devices or systems.

© 2012 Tyco Electronics Corporation, a TE Connectivity Ltd. company. All rights reserved.