

Shoulder 好达

SHOULDER ELECTRONICS CO., LTD.

SAW Components Data Sheet

PRODUCT 产品: SAW RESONATOR

MODEL NO 型号: HDR□□□D TO39

PREPARED 编制:

CHECKED 审核:

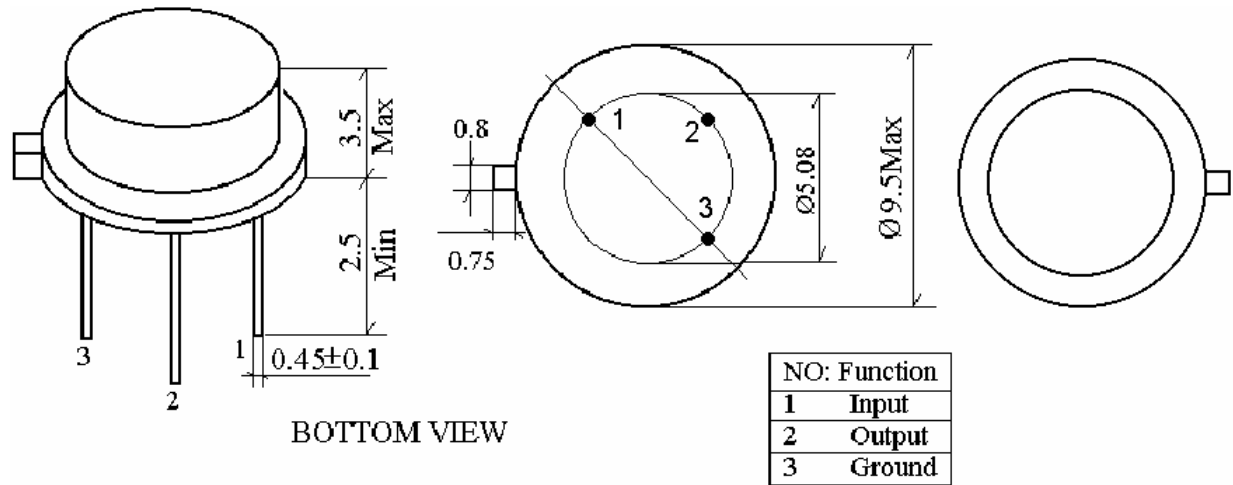
APPROVED 批准:

DATE 日期: 2007-01-25

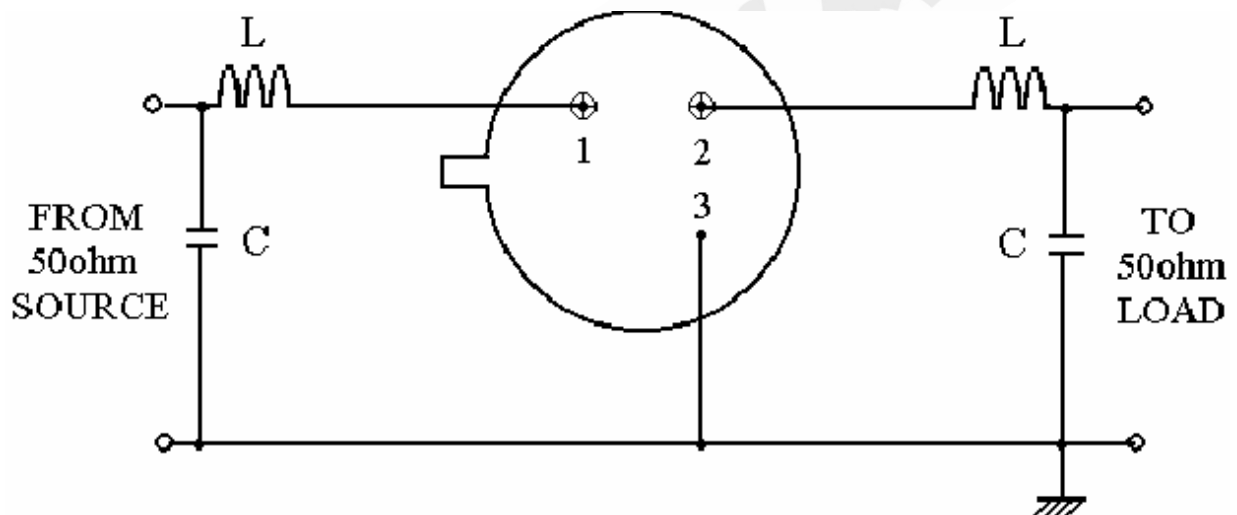
1.SCOPE

This specification is applied to a 2-PORT type SAW resonator designed for the stabilization of transmitters such as garage door openers and security transmitters.

2. DIMENSION



3. TEST CIRCUIT



4. Electrical characteristics

Part number	min	typ	max	unit	
Center Frequency	Table 1				
Insertion Loss		7.0	8.0	dB	
Quality Factor Unload Q		12.000			
50 Ω Loaded Q		6.300			
Temperature Stability	Turnover Temperature	36	51	66	°C
	Turnover Frequency		$f_0 \pm 11$		KHz
	Freq.temp.Coefficient		0.037		ppm/ °C ²
Frequency Aging		$< \pm 10$		ppm/ yr	
DC. Insulation Resistance	1.0			M Ω	
RF Equivalent RLC Model	Motional Resistance R1		107	152	Ω
	Motional Inductance L1		481.378		μ H
	Motional Capacitance C1		0.2794		pF
Shunt Static Capacitance		1.3		pF	

Table 1

F ₀ (MHz)	Frequency accuracy (KHz)	F ₀ (MHz)	Frequency accuracy (KHz)
224.500	±75	414.000	±75
303.825	±75	418.000	±75
307.300	±75	423.220	±75
335.100	±75	433.420	±75
315.000	±75	434.920	±75
380.000	±75	437.000	±75
384.050	±75	447.000	±75
391.800	±75	479.000	±75
402.550	±75	824.250	±250
403.000	±75	868.500	±250