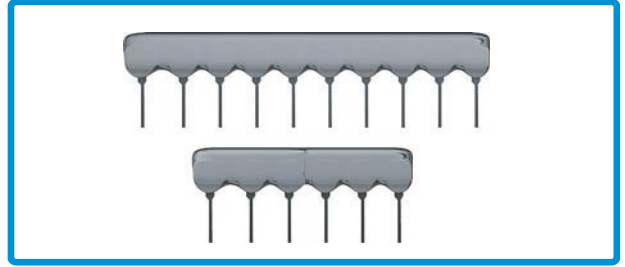




APPLICATIONS

- Personal Computer
- Floppy Disk Drives
- OA Machine
- V.T.R
- Sequential machine
- TTL, CMOS, NMOS, RMOS Interface circuits

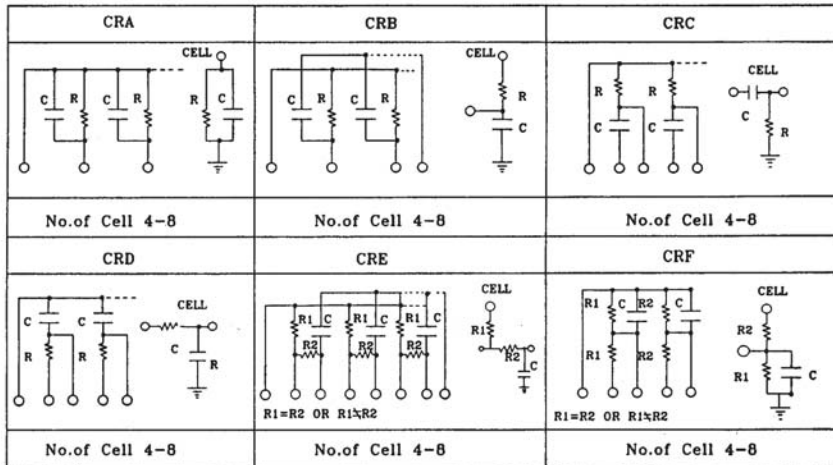


SPECIFICATIONS

	Resistor	Capacitor
Rated Power	0.125W / Resistor	
Max. Operating Voltage	100V	DC 25 to 100V
Range	10Ω to 1MΩ	10pF to 0.1μF
Tolerance	±1%, ±2%, ±5%	±5% to +80 / -20%
Temperature Coefficient	±100ppm / °C	±30 to +350 / -100ppm / °C
Operating Temp. Range	-55°C to +125°C	

PART NUMBERING SYSTEM

Circuit Configurations



CRA 10 102 M 103 J 88

Number of Pins

Capacitance Value Capacitance expressed in pF. First two digits are significant figures. Third digit denotes number of zeros. EX. 101:100pF 223:22000pF or .022μF 104:100000pF or 0.1μF

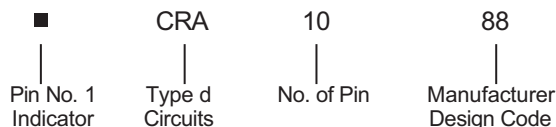
Capacitance Tolerance

Resistance Value 5% - The first two digits are significant figures of resistance value and the third denotes the number of zeros following. 1% & 2% - The first three digits are significant figures of resistance value and the fourth denotes the number of zeros following.

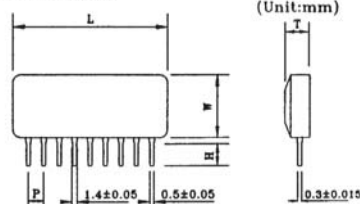
Resistance Tolerance

Manufacturer Design Code

MARKING



Dimensions



(Unit:mm)

	Size(mm)
W	5.6±0.2
P	2.54±0.05
T	2.4±0.3
L	2.54xPin No.+1.3(nominal)
H	3.25±0.05