

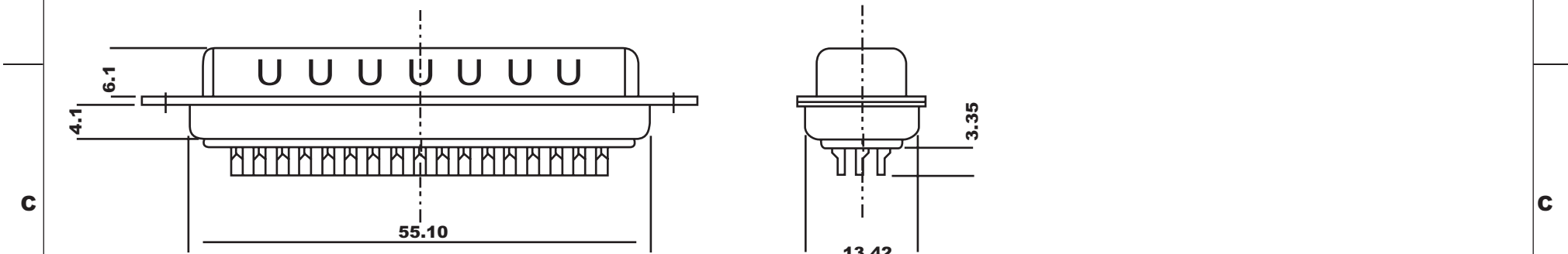
Product Specification

Material:

Insulator: Glass-Filled Thermoplastic PBT, UL94V-0 rated
 Contacts: Brass or Phosphor Bronze
 Shell: Steel, 100u" Tin Over 50u" min Nickel
 Clinch Nut: Brass, 100u" min Nickel Plated
 Boardlock: Brass, 100u" min Nickel Plated
 Screwlock: Brass, 100u" min Nickel Plated

Electrical:

Contact Resistance: 20 milliohms max at 1 Amp DC.
 Insulation Resistance: 1000 magohms at 500 VDC
 Dielectric Withstanding Voltage: 1000 VAC/rms 60Hz for 1 minute
 Current Rating: 5 Amp
 Volatge Rating: 250 VAC/rms 60Hz



Description	
Name :	A-DS50LL-TL-B



THIS DRAWING IS UNPUBLISHED

© Copyright 2005 by Assmann Electronic Components All International Rights Reserved

This drawing is a controlled document for Assmann Electronics, Inc. It is subject to change and the controlling engineering organization should be contacted for the latest revision.