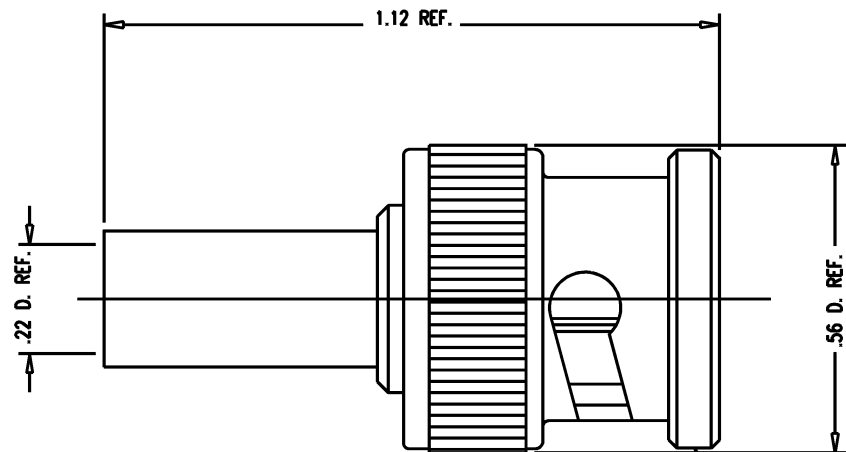


DASH NO.	M CODE	MADE FROM
----------	--------	-----------

# GSD

755-112-9



STAMP: KINGS 755-112-9  
YRWK (DATE CODE)

**NOTES:**

1. FOR USE WITH RG-142, 223 AND 400/U CABLE GROUPS.
2. FOR CABLING INSTRUCTIONS SEE CP-465.
3. FOR CRIMPING USE DIE KTH-2001.
4. INTERFACE PER MIL-STD-348, FIG. 301-1.
5. CENTER CONTACT TO BE SUPPLIED UNASSEMBLED.
6. MATERIALS:  
 INSULATOR: TEFLON, ASTM-D4894  
 GASKET: SILICONE RUBBER, A-A-59588  
 SPRING WASHER: BER. COP. ASTM-B-196  
 OUTER CONTACT: BER. COP. ASTM-B-196  
 CRIMP SLEEVE: COMM. BRONZE, ASTM-B16, H02  
 ALL OTHER METAL PARTS: BRASS, ASTM-B36
7. FINISHES:  
 CENTER CONTACT: GOLD PLATE PER ASTM-B488  
 SPRING WASHER: SILVER PLATE PER ASTM-B700  
 ALL OTHER METAL PARTS: KINGS TANISH RESISTANT NICKEL FINISH (TR-5)
8. ELECTRICAL CHARACTERISTICS:  
 NOMINAL IMPEDANCE: 50 OHM  
 FREQUENCY RANGE: DC TO 4 GHz  
 VOLTAGE RATING: 500 VOLTS RMS

**REVISIONS**

ISSUE	CHANGES
0	ER 38828 HVN 4/24/3
1	CN 39212 E DCT 1/24/5
2	CN 39255 E HVN 04/05/05

SCALE 4:1

APPROX SURFACE AREA

USED ON

REF:

PLUG, BNC

DRAWN HVN DATE 2/26/3

DESIGN HVN DATE 2/26/3

APPR. DATE

**KINGS**  
ELECTRONICS CO., INC.  
ROCK HILL, SOUTH CAROLINA 29730

# GSD

755-112-9