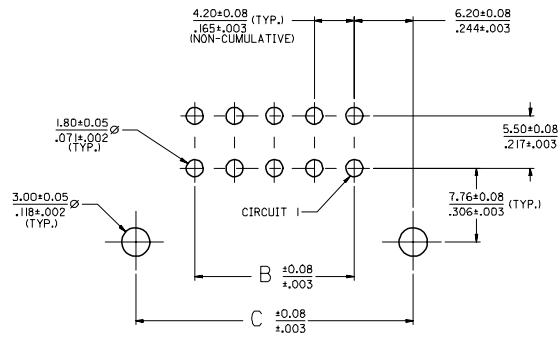
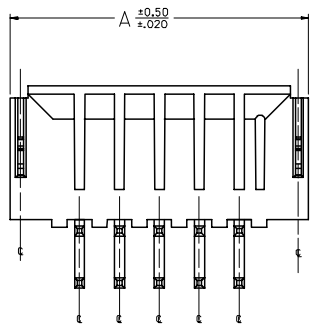
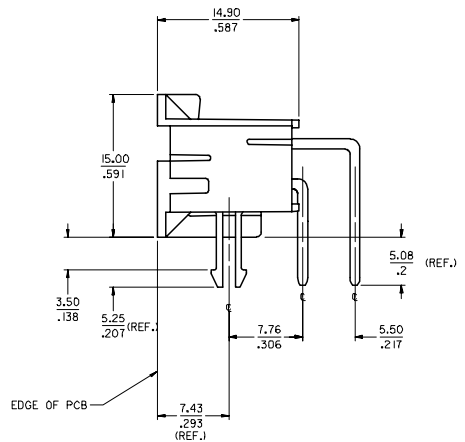
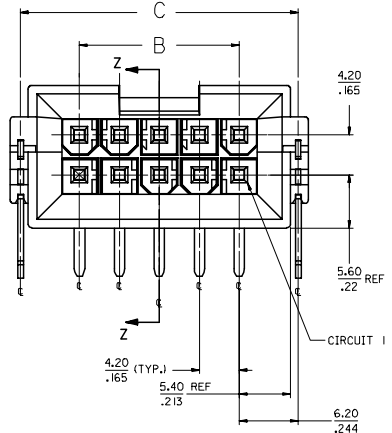
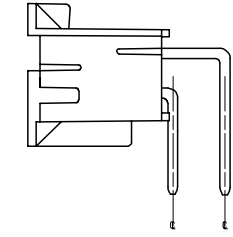


NOTES:

- 1) MATERIALS:
 HOUSING: PA46 FILLED BLACK, UL94V-0
 TERMINAL: BRASS
 BOARD RETENTION CLIP: BRASS
- 2) FINISHES:
 TERMINAL:
 1 = TIN OVER NICKEL; THICKNESS = 0.00254/(0.00100) MINIMUM.
 2 = GOLD OVER NICKEL; THICKNESS = .00076/(0.000030) MINIMUM.
 BOARD LOCK CLIP:
 *3 = MATTE TIN OVER NICKEL; THICKNESS = 0.00254/(0.00100) MINIMUM.
 *THE PRIMARY SHIPPING CARTON WILL BE LABELED "COMPLIANT TO
 RoHS DIRECTIVE 2002/95/EC AND ELV ANNEX II OF DIRECTIVE 2000/53/EC".
 CARTONS WITHOUT THIS LABEL MAY CONTAIN PRODUCT WITH TIN-LEAD PLATING.
- 3) PRODUCT SPECIFICATIONS AND PROCESSING PARAMETERS: PS-43810-001
- 4) PART MATES WITH MOLEX RECEPTACLE *5557 AND *42474, AND *42385 HEADER.
- 5) PART ALLOWS FOR 1.27/.050 MAX. MIS-ALIGNMENT WITH MATING HOUSINGS IN ANY DIRECTION.
- 6) PART IS DESIGNED IN METRIC
- 7) CONNECTOR ASSEMBLIES ARE NOT TO BE MATED AND UNMATED WHILE CIRCUITS ARE LIVE.



PCB LAYOUT: COMPONENT SIDE
 RECOMMENDED PCB THICKNESS: 3.175±0.18
 .125±.007



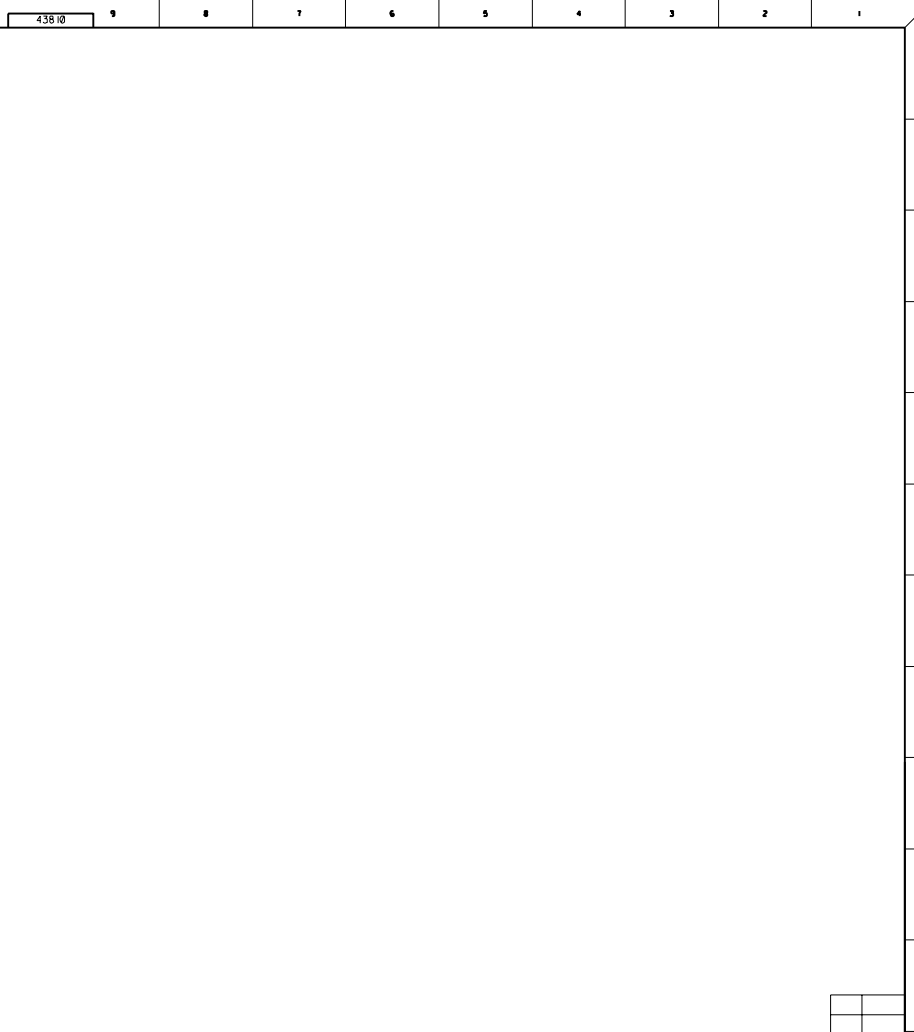
HEADER ASSEMBLY WITH NO CLIP OPTION

2	C
1	F
SHT. REV.	

NOTE 2: ADD RoHS IEC NO: UCP2005-2089 TDR: NIKI STEWART 2005/04/12 CHK: KAPULGAR 2005/04/20 APPR: MMARGILLI 2005/04/21	QUALITY SYMBOLS	GENERAL TOLERANCES (UNLESS SPECIFIED)	DIMENSION STYLE	SCALE	DESIGN UNITS	THIRD ANGLE PROJECTION MINI-FIT JR BMI SMC RIGHT ANGLE HEADER ASM FOR 3.175/.125 THK. PCB MOLEX INCORPORATED
	▽=0 ▽=0	mm INCH 4 PLACES ± --- ± --- 3 PLACES ± 0.25 ± .010 2 PLACES ± 0.35 ± .014 1 PLACE ± --- ± --- ANGULAR ±1/2°	MM/IN	4:1	METRIC	
	DRAWN BY: MAN/PAZ CHECKED BY: BANDURA APPROVED BY: EDGELY	DATE: 01-06-97 DATE: 03-26-97 DATE: 03-26-97	MATERIAL NO. SEE CHART	DOCUMENT NO. SD-43810-051	SHEET NO. 1 OF 2	
	DRAFT WHERE APPLICABLE MUST REMAIN WITHIN DIMENSIONS THIS DRAWING CONTAINS INFORMATION THAT IS PROPRIETARY TO MOLEX INCORPORATED AND SHOULD NOT BE USED WITHOUT WRITTEN PERMISSION					

MATERIAL NO.	CIRCUIT SIZE	CLIP OPTION	DIM. 'A'	DIM. 'B'	DIM. 'C'	FINISH
43810-0089	4	YES	18.81 .740	4.20 .165	16.60 .653	I
43810-0090	6	YES	23.01 .906	8.40 .331	20.80 .819	I
43810-0091	8	YES	27.21 1.071	12.60 .496	25.00 .984	I
43810-0092	10	YES	31.41 1.237	16.80 .661	29.20 1.150	I
43810-0093	12	YES	35.61 1.402	21.00 .828	33.40 1.315	I
43810-0094	14	YES	39.81 1.567	25.20 .992	37.60 1.480	I
43810-0095	16	YES	44.01 1.733	29.40 1.157	41.80 1.646	I
43810-0096	18	YES	48.21 1.898	33.60 1.323	46.00 1.811	I
43810-0097	20	YES	52.41 2.063	37.80 1.488	50.20 1.976	I
43810-0098	22	YES	56.61 2.229	42.00 1.654	54.40 2.142	I
43810-0099	24	YES	60.81 2.394	46.20 1.819	58.60 2.307	I
43810-0100	4	YES	18.81 .740	4.20 .165	16.60 .653	2
43810-0101	6	YES	23.01 .906	8.40 .331	20.80 .819	2
43810-0102	8	YES	27.21 1.071	12.60 .496	25.00 .984	2
43810-0103	10	YES	31.41 1.237	16.80 .661	29.20 1.150	2
43810-0104	12	YES	35.61 1.402	21.00 .828	33.40 1.315	2
43810-0105	14	YES	39.81 1.567	25.20 .992	37.60 1.480	2
43810-0106	16	YES	44.01 1.733	29.40 1.157	41.80 1.646	2
43810-0107	18	YES	48.21 1.898	33.60 1.323	46.00 1.811	2
43810-0108	20	YES	52.41 2.063	37.80 1.488	50.20 1.976	2
43810-0109	22	YES	56.61 2.229	42.00 1.654	54.40 2.142	2
43810-0110	24	YES	60.81 2.394	46.20 1.819	58.60 2.307	2

MATERIAL NO.	CIRCUIT SIZE	CLIP OPTION	DIM. 'A'	DIM. 'B'	DIM. 'C'	FINISH
43810-0331	4	NO	18.81 .740	4.20 .165	16.60 .653	I
43810-0332	6	NO	23.01 .906	8.40 .331	20.80 .819	I
43810-0333	8	NO	27.21 1.071	12.60 .496	25.00 .984	I
43810-0334	10	NO	31.41 1.237	16.80 .661	29.20 1.150	I
43810-0335	12	NO	35.61 1.402	21.00 .828	33.40 1.315	I
43810-0336	14	NO	39.81 1.567	25.20 .992	37.60 1.480	I
43810-0337	16	NO	44.01 1.733	29.40 1.157	41.80 1.646	I
43810-0338	18	NO	48.21 1.898	33.60 1.323	46.00 1.811	I
43810-0339	20	NO	52.41 2.063	37.80 1.488	50.20 1.976	I
43810-0340	22	NO	56.61 2.229	42.00 1.654	54.40 2.142	I
43810-0341	24	NO	60.81 2.394	46.20 1.819	58.60 2.307	I
43810-0342	4	NO	18.81 .740	4.20 .165	16.60 .653	2
43810-0343	6	NO	23.01 .906	8.40 .331	20.80 .819	2
43810-0344	8	NO	27.21 1.071	12.60 .496	25.00 .984	2
43810-0345	10	NO	31.41 1.237	16.80 .661	29.20 1.150	2
43810-0346	12	NO	35.61 1.402	21.00 .828	33.40 1.315	2
43810-0347	14	NO	39.81 1.567	25.20 .992	37.60 1.480	2
43810-0348	16	NO	44.01 1.733	29.40 1.157	41.80 1.646	2
43810-0349	18	NO	48.21 1.898	33.60 1.323	46.00 1.811	2
43810-0350	20	NO	52.41 2.063	37.80 1.488	50.20 1.976	2
43810-0351	22	NO	56.61 2.229	42.00 1.654	54.40 2.142	2
43810-0352	24	NO	60.81 2.394	46.20 1.819	58.60 2.307	2



REVISED EC NO. LB 130 I DRAWN MAN. APA 291/02/07 DIMS. BANDURA 97/02/09 APPR. EDGLEY 97/02/09 C	QUALITY SYMBOLS MAJOR CRITICAL DESCRIPTIVE REV	GENERAL TOLERANCES: (UNLESS SPECIFIED) mm INCH	SCALE N:A <input checked="" type="checkbox"/> mm <input type="checkbox"/> INCH	DESIGN UNITS <input checked="" type="checkbox"/> mm <input type="checkbox"/> INCH	DIMENSIONS: <input checked="" type="checkbox"/> mm <input type="checkbox"/> INCH <input type="checkbox"/> mm ONLY	SHT 2 REV	
		4 PLACES ± 0.1 mm 3 PLACES ± 0.25 mm 2 PLACES ± 0.35 mm 1 PLACE ± 0.5 mm	DRAWN BY & DATE MANLAPAZ 97/07/14 CHECKED BY & DATE BANDURA 97/07/18 APPROVED BY & DATE EDGLEY 97/07/18	TITLE: MINI-FIT JR. BMI SMC RIGHT ANGLE HEADER ASM. FOR 3.175/.125 THK. PCB	MATERIAL NO. SD-43810-051	DRAWING NO. SEE CHART	SHEET NO. 2
		ANGULAR: $\pm 1/2^\circ$	CAD FILENAME S4381011.DGN	THIS DRAWING CONTAINS INFORMATION THAT IS PROPRIETARY TO MOLEX INCORPORATED AND SHOULD NOT BE USED WITHOUT WRITTEN PERMISSION.	SIZE D		
		DRAFT WHERE APPLICABLE MUST REMAIN WITHIN DIMENSIONS					