

### Industrial 16mm Size Slim Conductive Plastic Precision Rotary Sensor

#### Features

- Compact Size
- Up to 3 Million Life Cycles
- 2% Precision Linearity
- Water Resistant
- Wide Temperature Range
- Solder Lug Terminal
- RoHS Compliant



### Electrical and Mechanical Specifications

#### Resistance Range

1 K through 500 K ohms, linear

#### Resistance Tolerance

± 10%, ± 20%

#### Power Rating

0.25 watts @ 55°C

#### Dielectric Strength

500 VDC for 1 minute

#### Maximum Operating Voltage

350 VDC

#### Insulation Resistance

100 Megohms minimum @ 100 VDC

#### Rotation Angle

Total Rotational Angle : 250°  
Effective Electrical Angle : 60°, 220°

#### Rotational Torque

IP40 : 3~30 gf-cm  
IP54 & IP67 : 20~120 gf-cm

#### Stop Strength

9 kgf-cm minimum

#### Push-Pull Strength of Shaft

13.6 kg for 10 seconds

#### Mounting Information

Bushing Mount

#### Rotational life

3M Cycles (60° Effective Electrical Angle)  
2M Cycles (220° Effective Electrical Angle)

#### Linearity

± 2%

#### Temperature

Operating : -40°C - 125°C  
Storage : -55°C - 150°C

#### Solder Heat Resistance

350°C for 5 seconds

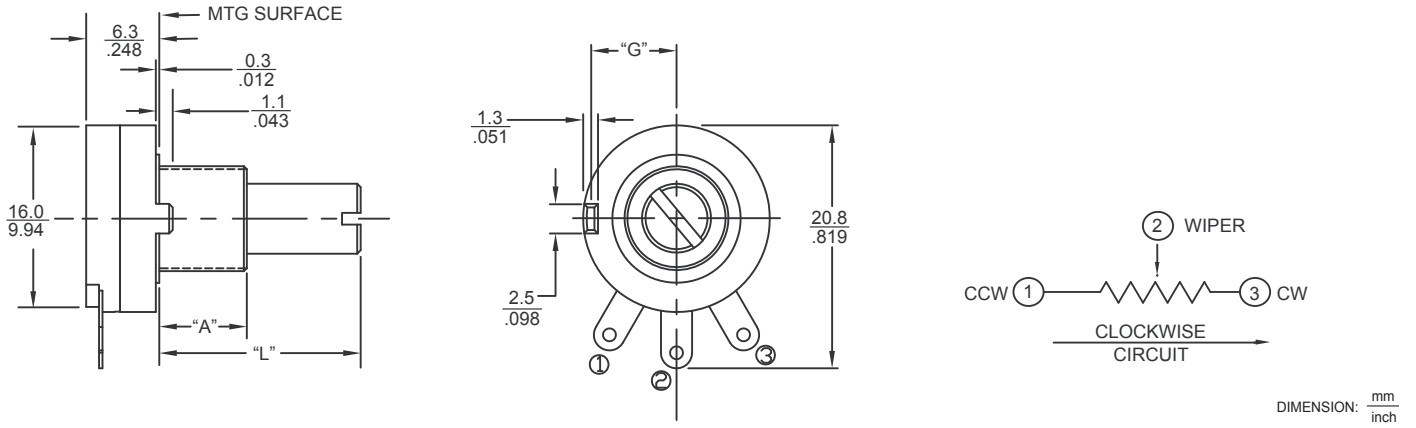
#### Ingress Protection Rating

IP40, IP54, IP67

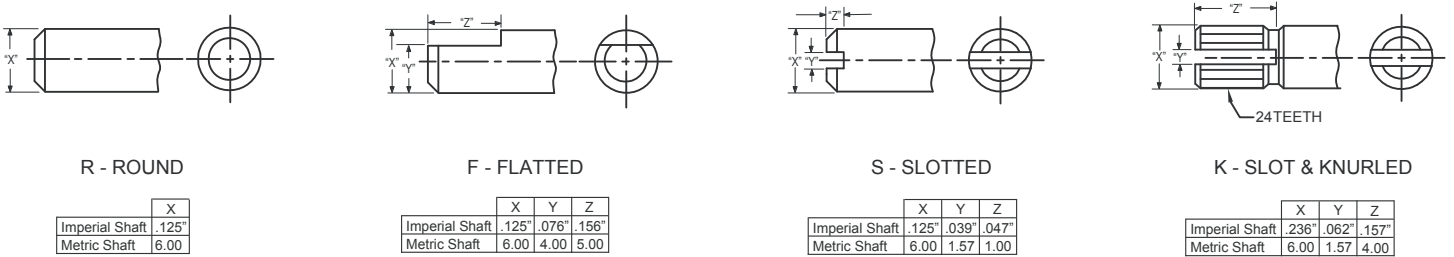
#### Vibration

15G, 10 to 2000 Hz

# 284T Metal Shaft, Bushing Mount, Solder Lug Terminal

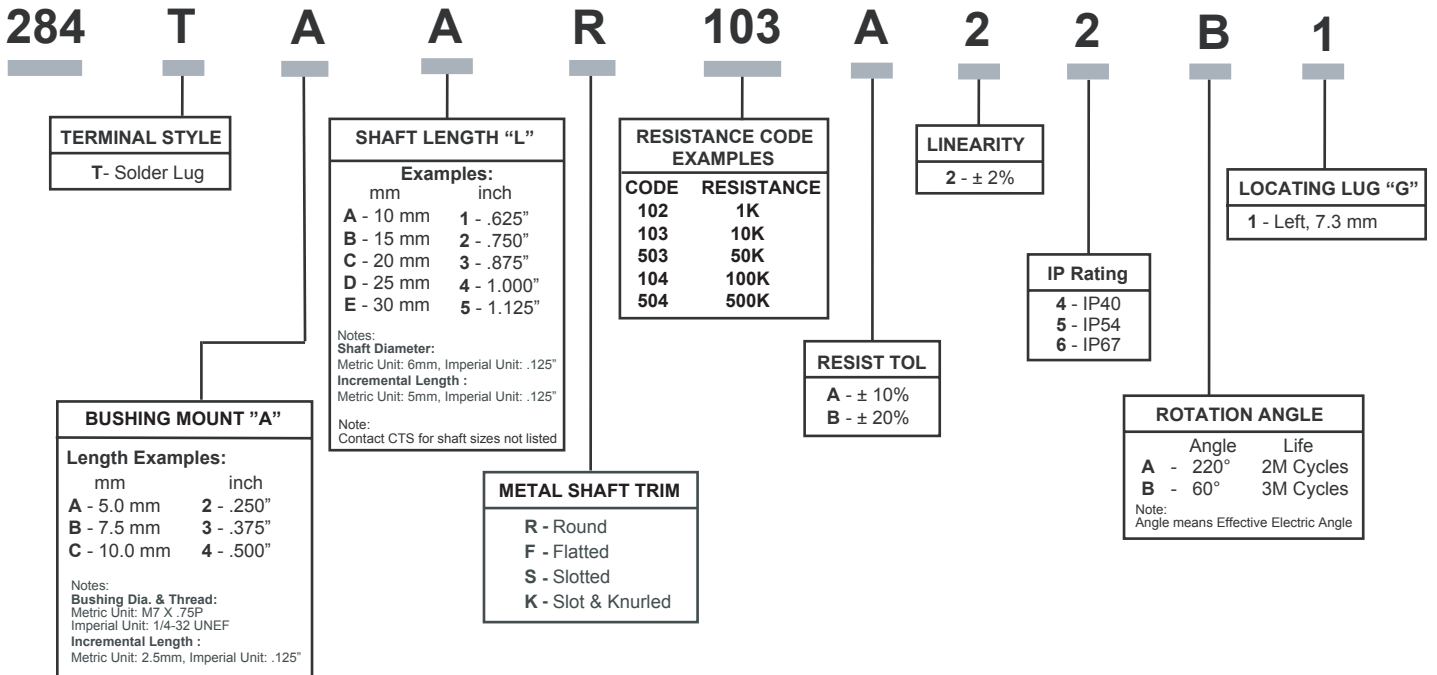


## Shaft Trim



Note: Contact CTS for shaft sizes not listed

## Ordering Information



Please consult factory for custom or not listed features.