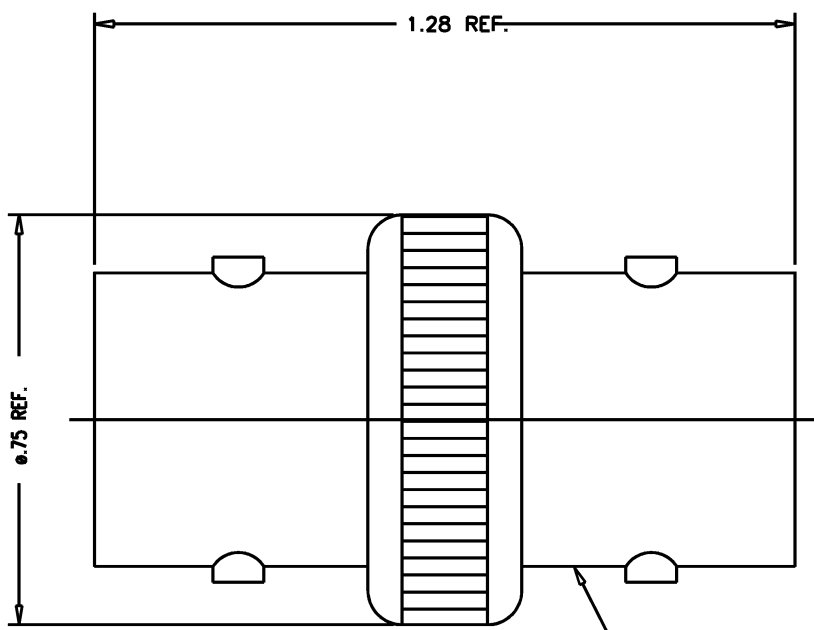


|          |        |           |
|----------|--------|-----------|
| DASH NO. | M CODE | MADE FROM |
|----------|--------|-----------|

M55339/08-00643

**REVISIONS**

| ISSUE | CHANGES                         |
|-------|---------------------------------|
| E     | ER 5922 REDRAWN<br>HVN 02/08/08 |



STAMP: 91836 M55339/08-00643  
799-3 YRWK(DATE CODE)

799-3

CUSTOMER SALES DRAW

**NOTES:**

1. MATERIALS:  
 INSULATORS: TEFLON, ASTM-D-4894  
 CENTER CONTACT: BER. COPPER, ASTM-B196  
 ALL OTHER METAL PARTS: BRASS, ASTM-B16
2. FINISHES:  
 ALL METAL PARTS: SILVER PLATE, PER ASTM-B700
3. ELECTRICAL CHARACTERISTICS:  
 NOMINAL IMPEDANCE: 50 OHMS  
 WORKING VOLTAGE: 1000 VRMS  
 FREQUENCY RANGE: DC TO 11 GHz.

|                     |               |
|---------------------|---------------|
| SCALE 4:1           |               |
| APPROX SURFACE AREA |               |
| USED ON             |               |
| REF:                |               |
| ADAPTER, F-F, C     |               |
| DRAWN H. NGUYEN     | DATE 02/08/08 |
| DESIGN H. NGUYEN    | DATE 01/28/08 |
| APPR.               | DATE          |

**UNLESS OTHERWISE SPECIFIED**  
 1. ALL DIMENSIONS IN INCHES (MILLIMETERS).  
 2. TOLERANCES:  
    .xxx ±.004     .xx ±.010  
    [.xxx ±.10]   [.xx ±.25]  
 FRACTIONS: x/Y ±.010 [.25]   ANGLES: ± 1°  
 ★ CRITICAL DIMENSIONS

M55339/08-00643