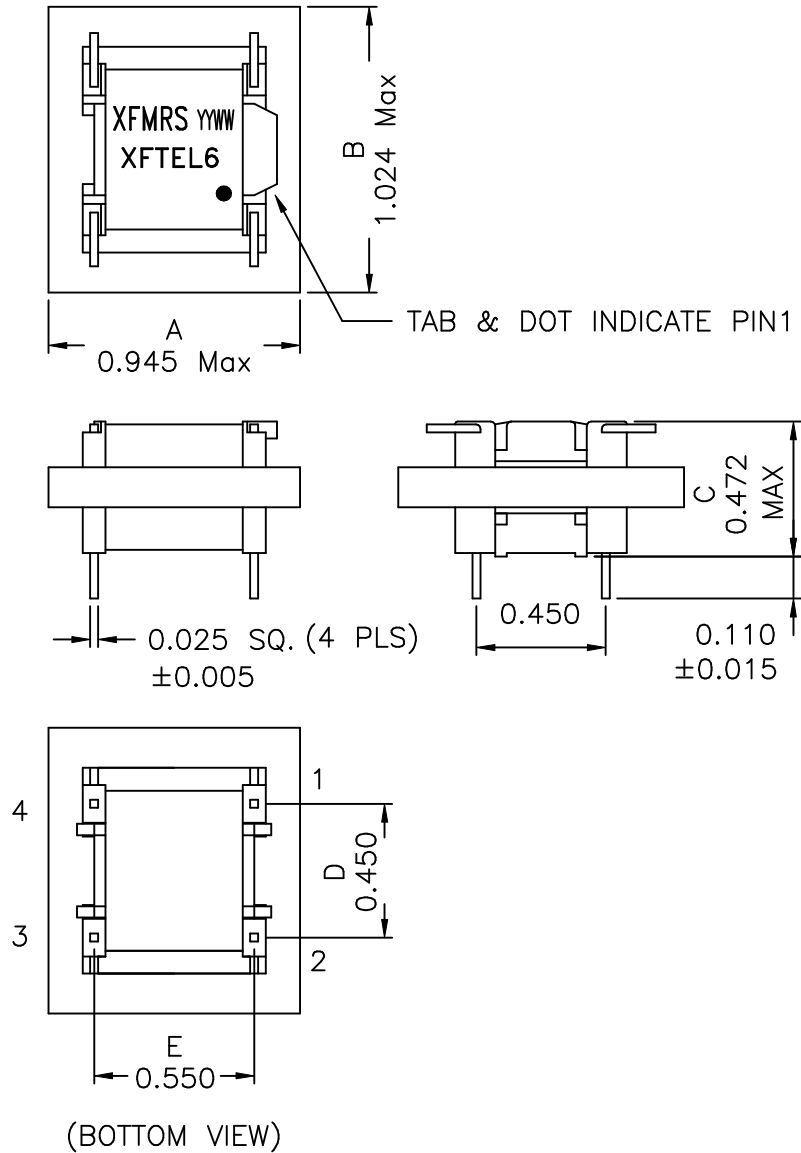
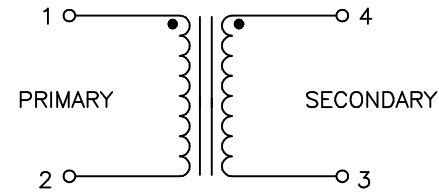


### 1. Mechanical:



### 2. Schematic:



### 3. Electrical Specifications:

- Turns Ratio: 1:1 ±2%
- Impedance: Designed to reflect 600 ohms on PRI with 530 ohms load on SEC.
- OCL: 2.5H Minimum @200Hz 1.0V Lp
- PRI. DCR: 48 Ohms ±10% @20°C
- SEC. DCR: 48 Ohms ±10% @20°C
- Frequency Response: ±0.20dB, @200Hz-4KHz
- Insertion Loss: 1.1db Max @1KHz
- Return Loss: 20dB Min @200-4KHz
- HIPOT: 1875VAC PRI. TO SEC.

Note:

1. Solderability: Leads shall meet MIL-STD-202, Method 208D for solderability.
2. Flammability: UL94V-0,
3. ASTM oxygen index: > 28% ,
4. Temperature rating: 155°C. UL file E151556,
5. Operating Temperature Range: -40°C to +85°C

DOC. REV. A/1

<b>XFMRS Inc</b>		Title: MODEM TRANSFORMER		
UNLESS OTHERWISE SPECIFIED TOLERANCES: .xxx ±0.010 Dimensions in Inch	P/N: XFTEL6		REV. A	
	DWN.	廖玉坤	June-12-01	
	CHK.	李清儿	June-12-01	
SHEET 1 OF 1	APP.	Isaiah M	June-12-01	