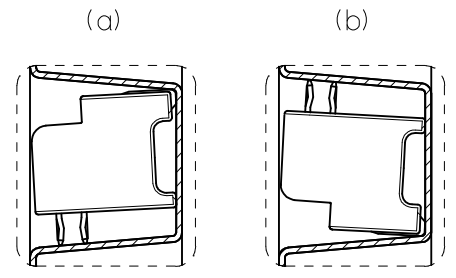


DETAIL A  
(SCALE 2:1)



DETAIL B  
(SCALE 2:1)

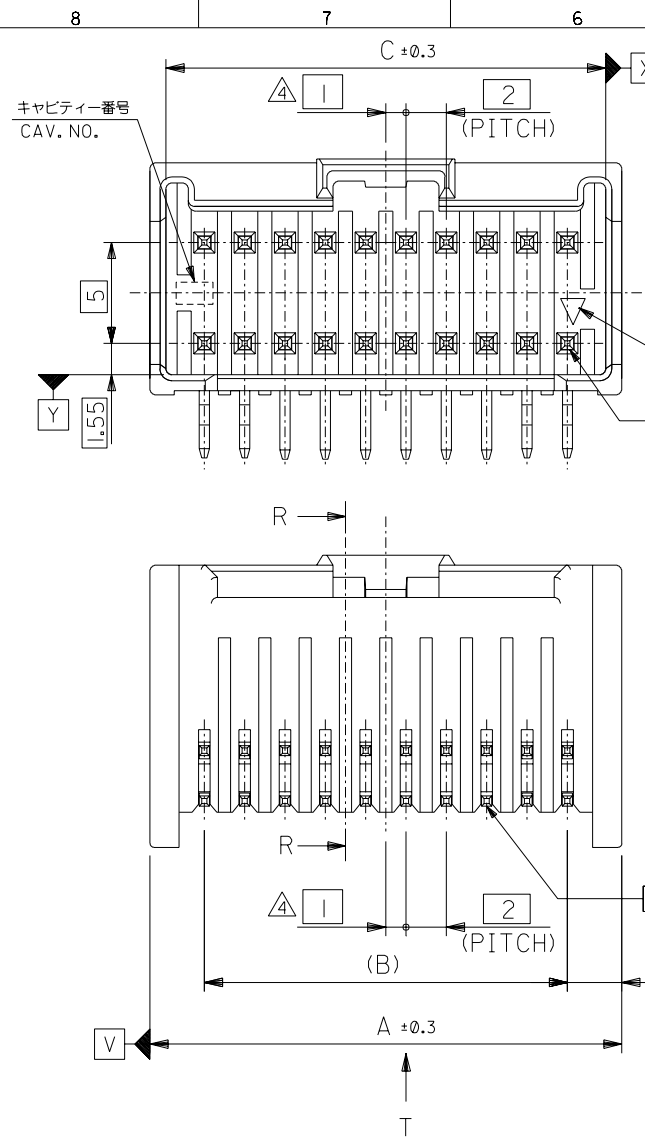
注記

1. 一般公差 : ±0.5  
GENERAL TOLERANCES: ±0.5
  2. 各部の反りは2.0MAX.  
WARP: 2.0MAX.
- ③ トレイの中の製品の向きは (a) 又は (b) とし、かつ同一トレイ中の製品の向きはどちらか一方で統一  
PRODUCT DIRECTION SHOULD BE (a) OR (b).  
ALL PRODUCTS MUST FACED THE SAME DIRECTION IN THE TRAY.

55959-\*\*7\*  
55959-\*\*3\*  
適用製品番号  
APPLICABLE PART No.

RELEASED EC NO: J2009-0955 DRWN: YOKUZONO 2008/10/20 CHKD: HARUYAMA 2008/10/20 APPR: NUKITA 2008/10/20	GENERAL TOLERANCES (UNLESS SPECIFIED)		DIMENSION STYLE MM ONLY	SCALE 1:2	DESIGN UNITS METRIC	THIRD ANGLE PROJECTION
	10 UNDER	± ---	DRAWN BY Y. TOKUZONO	DATE 2008/10/17	TITLE TRAY FOR 55959 (2.0MM W-T-B DUAL CONN. DIP PLUG HOUSING ASS'Y)	
	10 OVER 30 UNDER	± ---	CHECKED BY T. HARUYAMA	DATE 2008/10/17	MOLEX INCORPORATED	
	30 OVER	± ---	APPROVED BY N. UKITA	DATE 2008/10/17	DOCUMENT NO. SD-55959-001	SHEET NO. 1 OF 1
0	ANGULAR DRAFT WHERE APPLICABLE MUST REMAIN WITHIN DIMENSIONS	± --- °	MATERIAL NO. 098910030	THIS DRAWING CONTAINS INFORMATION THAT IS PROPRIETARY TO MOLEX INCORPORATED AND SHOULD NOT BE USED WITHOUT WRITTEN PERMISSION		

DO NOT SCALE DRAWING



注記 NOTES

1. 材料 MATERIAL  
 PIN : BRASS, TIN PLATING  
 ハウジング : PBT (ガラス入り: 15%), UL94V-0  
 HOUSING : PBT(G.F.: 15%), UL94V-0
2. 嵌合相手 : 51353シリーズ  
 MATE WITH : 51353 SERIES
3. ソルダータールキフは、両端の8ピンのみとする。  
 KINK TO BE APPLIED FOR 8 PINS AT BOTH ENDS.

$\Delta 4$  (全極数/2) = 偶数の場合に適用。  
 APPLY FOR (CIRCUIT/2)=EVEN

$\Delta 5$  製品番号 MATERIAL NO.  
 55959-\*\*\*3\*  
 極数 CIRCUIT SIZE 色 COLOR

ナチュラル(白) NATURAL(WHITE)	0
黒 BLACK	1
赤 RED	2
黄 YELLOW	3
青 BLUE	4
桃 PINK	5
緑 GREEN	6
茶 BROWN	7
橙 ORANGE	8
紫 VIOLET	9

41.8	38	43.4	55959-403*	40
39.8	36	41.4	-383*	38
37.8	34	39.4	-363*	36
35.8	32	37.4	-343*	34
33.8	30	35.4	-323*	32
31.8	28	33.4	-303*	30
29.8	26	31.4	-283*	28
27.8	24	29.4	-263*	26
25.8	22	27.4	-243*	24
23.8	20	25.4	-223*	22
21.8	18	23.4	-203*	20
19.8	16	21.4	-183*	18
17.8	14	19.4	-163*	16
15.8	12	17.4	-143*	14
13.8	10	15.4	-123*	12
11.8	8	13.4	-103*	10
9.8	6	11.4	55959-083*	8
C	B	A	MATERIAL NO.	CKT.

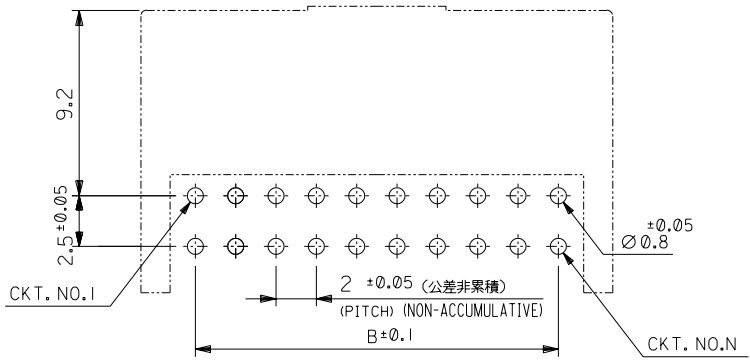
EC NO. DRWN: CHK: APPR:	EC NO. DRWN: CHK: APPR:	EC NO. DRWN: CHK: APPR:	REVISED EC NO. J2004-3728 DRWN: Y. WADA '04/04/09 CHK: M. SASAO APPR: M. SASAO	REVISED EC NO. J2003-3290 DRWN: N. ITO '03/06/26 CHK: K. ASAKAWA APPR: T. YAMAGUCHI
F	E			

MATERIAL 材料	注記参照 SEE NOTES
FINISH 仕上り	//
WIRE RANGE 適用線径範囲	//
INS. RANGE 被覆外径	//

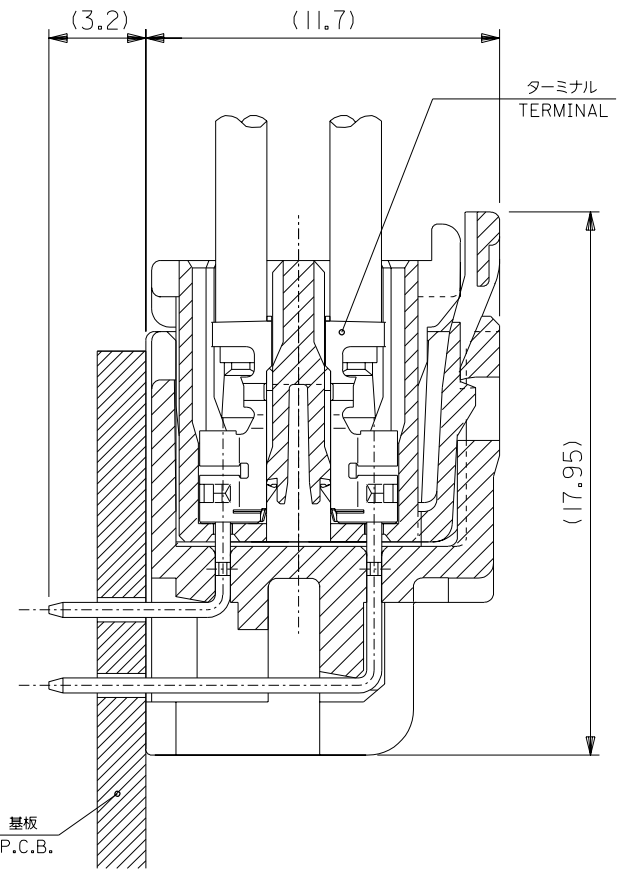
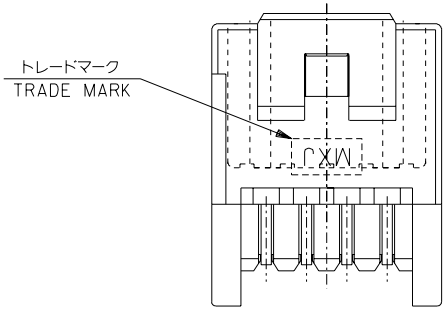
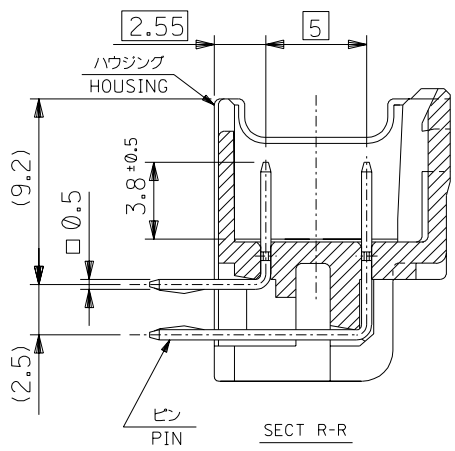
GENERAL TOLERANCES: (UNLESS SPECIFIED) 一般公差	SCALE //	DESIGN UNITS <input checked="" type="checkbox"/> mm <input type="checkbox"/> INCH
10 UNDER 未満	$\pm 0.2$	
10 OVER 30 UNDER 以上 未満	$\pm 0.25$	
30 OVER 以上	$\pm 0.3$	
ANGLE 角度	$\pm 3^\circ$	

55959-***3*		MODEL NO.	DIMENSIONS: <input type="checkbox"/> mm <input type="checkbox"/> INCH		SHT	REV
SCALE	DESIGN UNITS	THIRD ANGLE PROJECTION				
DRAWN BY & DATE N. ITO '02/02/24	CHECKED BY & DATE K. ASAKAWA '03/06/26	TITLE: 2.0mm W-+-B DUAL CONN DIP PLUG HOUSING ASS'Y R/A (WITHOUT BOSS) -LEAD FREE-				
APPROVED BY & DATE T. YAMAGUCHI '03/06/26		MOLEX INCORPORATED				
CAD FILENAME 55959003.S01	MATERIAL NO. SEE CHART	DRAWING NO. SD-55959-003	SHEET NO. 1 OF 3			
THIS DRAWING CONTAINS INFORMATION THAT IS PROPRIETARY TO MOLEX INCORPORATED AND SHOULD NOT BE USED WITHOUT WRITTEN PERMISSION.					SIZE B	

DWG. NO. SD-55959-003



基板取付穴推奨寸法 (マウント面)  
 RECOMMENDED P.C.BOARD  
 HOLE DIMENSION  
 (MOUNTING SIDE)  
 (t=1.2, 1.6)

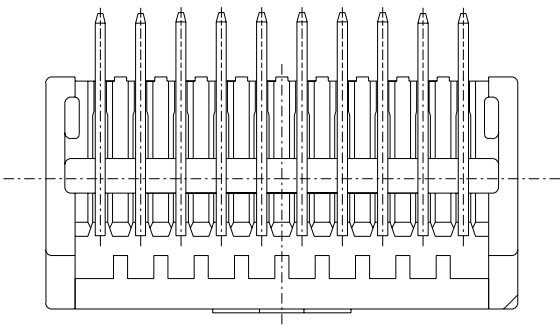


嵌合断面図 (参考)  
 MATED DRAWING (REF.)

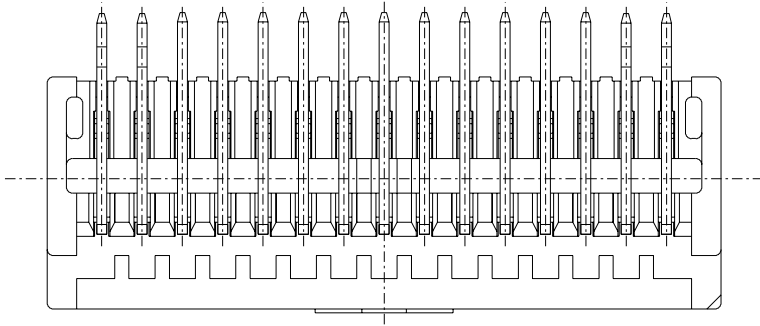
DO NOT SCALE DRAWING

EC NO. DRWN: CHK: APPR:	EC NO. DRWN: CHK: APPR:	EC NO. DRWN: CHK: APPR:	REVISED EC NO. J2004-3728 DRWN: Y. WADA '04/04/09 CHK: M. SASAO APPR: M. SASAO	REVISED EC NO. J2003-3290 DRWN: N. ITO '03/06/26 CHK: K. ASAKAWA APPR: T. YAMAGUCHI	MATERIAL 材料 注記参照 SEE NOTES	GENERAL TOLERANCES: (UNLESS SPECIFIED) 一般公差
					FINISH 仕上げ //	10 UNDER 未満 ±0.2
					WIRE RANGE 適用 線径 範囲 //	10 OVER 30 UNDER 以上 未満 ±0.25
					INS. RANGE 被覆 外径 //	30 OVER 以上 ±0.3
						ANGLE 角度 ±3°

55959-***3*		MODEL NO.	DIMENSIONS:		SHT	REV
SCALE //	DESIGN UNITS mm INCH	THIRD ANGLE PROJECTION	mm INCH	mm ONLY		REVISE ON CAD ONLY
DRAWN BY & DATE N. ITO '02/02/24		TITLE: 2.0mm W+-B DUAL CONN DIP PLUG HOUSING ASS'Y R/A (WITHOUT BOSS) -LEAD FREE-				
CHECKED BY & DATE K. ASAKAWA '03/06/26		MOLEX INCORPORATED				
APPROVED BY & DATE T. YAMAGUCHI '03/06/26		MATERIAL NO. SEE CHART	DRAWING NO. SD-55959-003	SHEET NO. 2 OF 3		
CAD FILENAME 55959003.S02						
THIS DRAWING CONTAINS INFORMATION THAT IS PROPRIETARY TO MOLEX INCORPORATED AND SHOULD NOT BE USED WITHOUT WRITTEN PERMISSION.						
					SIZE B	

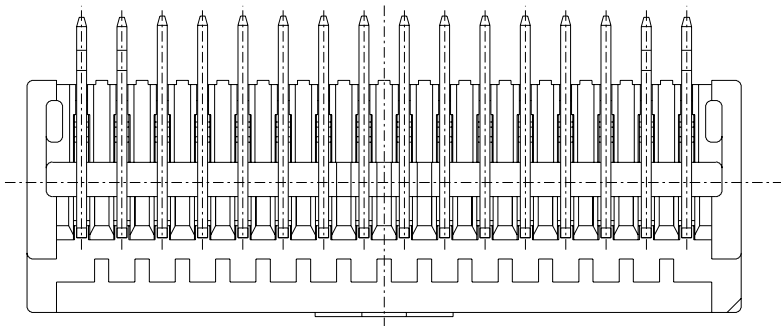


8-20 CIRCUIT



22,26,30,34,38 CIRCUIT

VIEW "T"



24,28,32,36,40 CIRCUIT

EC NO. DRWN: CHK: APPR:		EC NO. DRWN: CHK: APPR:		EC NO. DRWN: CHK: APPR:		REVISED EC NO. J2004-3728 DRWN: Y.WADA '04/04/09 CHK: M.SASAO APPR: M.SASAO		REVISED EC NO. J2003-3290 DRWN: N.IITO '03/06/26 CHK: K.ASAKAWA APPR: T.YAMAGUCHI		MATERIAL 材料  注記参照 SEE NOTES		GENERAL TOLERANCES: (UNLESS SPECIFIED) 一般公差		55959-***3*		MODEL NO.		DIMENSIONS: <input type="checkbox"/> mm <input type="checkbox"/> INCH <input checked="" type="checkbox"/> mm ONLY		SHT		REV	
FINISH 仕上り		WIRE RANGE 適用線径範囲		INS. RANGE 被覆外径		//		//		//		10 UNDER 未満		±0.2		DRAWN BY & DATE N.IITO '02/02/24		THIRD ANGLE PROJECTION		TITLE: 2.0mm W+-B DUAL CONN DIP PLUG HOUSING ASS'Y R/A (WITHOUT BOSS) -LEAD FREE-		REVISE ON CAD ONLY	
//		//		//		//		//		10 OVER 30 UNDER 以上 未満		±0.25		CHECKED BY & DATE K.ASAKAWA '03/06/26		MOLEX		MATERIAL NO. SEE CHART		DRAWING NO. SD-55959-003		SHEET NO. 3 OF 3	
//		//		//		//		//		30 OVER 以上		±0.3		APPROVED BY & DATE T.YAMAGUCHI '03/06/26		MOLEX INCORPORATED		DRAWING NO. SD-55959-003		SHEET NO. 3 OF 3		SIZE B	
//		//		//		//		//		ANGLE 角度		±3°		CAD FILENAME 55959003.S03		MATERIAL NO. SEE CHART		DRAWING NO. SD-55959-003		SHEET NO. 3 OF 3		THIS DRAWING CONTAINS INFORMATION THAT IS PROPRIETARY TO MOLEX INCORPORATED AND SHOULD NOT BE USED WITHOUT WRITTEN PERMISSION.	