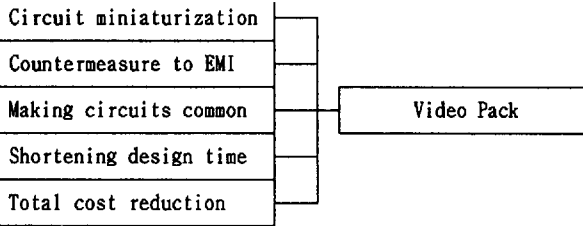


Video Pack

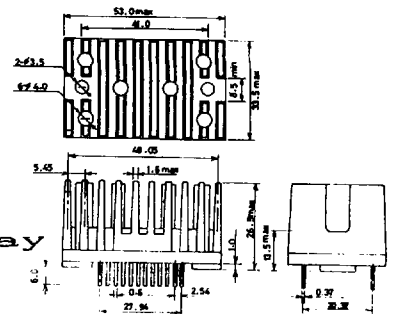
SANYO SEMICONDUCTOR CORP

Video Pack

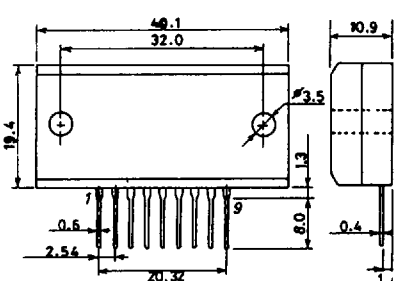
We have developed Video packs for CRT-display and high definition CTV projector use. Video Pack is a hybrid IC of video-output circuit and has the following merits.



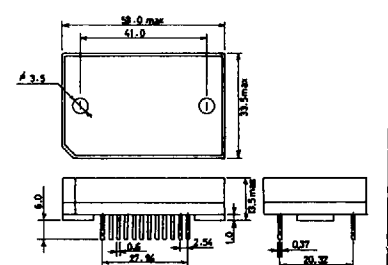
Case Outlines (unit:mm)
Heat sink type



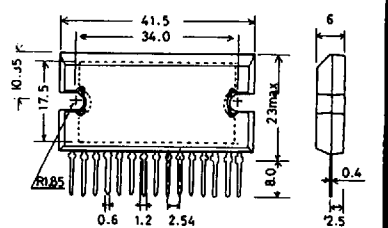
9pin normal type



Case type



15pin mold type



Recommended Video Pack line-up for CRT display

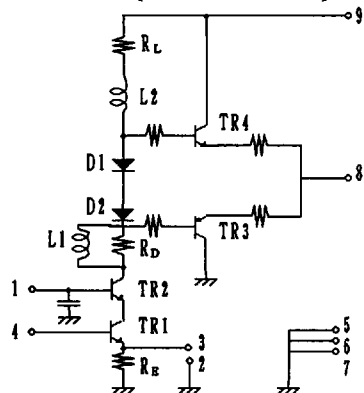
Type No.	Use (Horizontal frequency)	V _{CC} max (V)	Frequency fv (typ-3dB)		Gain (D·C)	No. of channels	Package type	
			(MHz)	Vout (Vp-p)				Vcc (V)
VPM 03	Monitor of Personal computer (~ 48 KHz)	160	30	60	100	26	3	Case type
VPM 03 F		120	30	50	90	26	3	Heat sink type
VPM 04		120	45	50	90	19	3	Case type
VPM 04 F		120	45	40	80	19	3	Heat sink type
VPM 05	Monitor of CAD/CAM for OA & FA (48 ~ 56 KHz)	120	50	40	80	19	3	Case type
VPM 06		120	60	40	80	19	3	Case type
VPM 07		120	70	40	90	19	3	Case type
VPM 08		120	80	40	80	19	3	Case type
VPS 07		120	70	50	90	22	3	15pin mold type
VPS 08		120	80	50	90	20	3	15pin mold type
VPA 05		120	50	60	100	29	1	9pin normal type
VPA 07		120	70	50	90	29	1	9pin normal type
VPS 10	Graphic monitor DTP (64 ~ 85 KHz)	120	100	50	90	20	3	15pin mold type
VPA 10		100	100	45	100	14	1	9pin normal type
VPA 12		90	120	40	80	14	1	9pin normal type
VPA 13		120	130	45	80	14	1	9pin normal type
VPA 15	FAA Medical (~ 130 KHz)	90	150	40	80	14	1	9pin normal type
VPA 18		90	180	40	80	14	1	9pin normal type
VPA 25		80	230	30	70	12	1	9pin normal type
VPA 30		Under development.						1

Recommended Video Pack line-up for ED/HDTV application fields

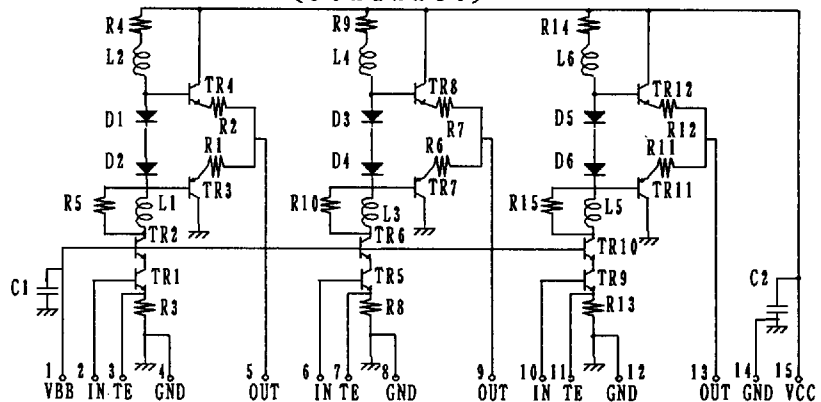
VPH 01	ED TV	230	18	100	150	29	1	9pin normal type
VPH 03	HD TV	230	30	100	170	29	1	9pin normal type
VPH 05		230	50	100	170	29	1	9pin normal type
VPH 06		230	65	100	170	29	1	9pin normal type

Video Pack circuit configuration

(1 channel)



(3 channel)



These specifications are subject to change without notice.