

Component General, Inc.

■ Coaxial TNC Terminations

■ MECHANICAL SPECIFICATIONS

Connector: Brass, Nickel Plated.

Insulator: PTFE, Virgin grade.

Impedance: 50 Ω .

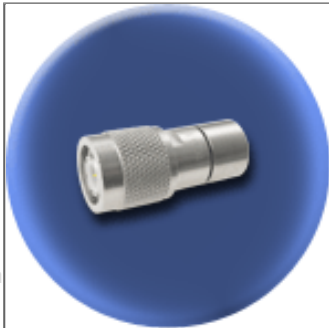
www.DataSheet4U.com

| high power coaxial TNC terminations product selection chart | | | | |
|---|------------|------------|--------|--------|
| P/N | Power Avg. | Power Peak | Length | Width |
| CFT-2 TM | 2 W | 1.5 KW. | 1.350" | 0.650" |
| CFT-5 TM | 5 W | 2.0 KW. | 1.500" | 0.750" |
| CFT-15 TM | 15 W | 2.0 KW. | 2.100" | 1.250" |
| CFT-35 TM | 35 W | 3.0 KW. | 2.200" | 1.650" |

Component General, Inc.

P/N:CFT-2 TM

Coaxial TNC Series



Electrical Specifications

Average Power:

2 W.

Frequency Range: **VSWR (Max.):**

DC - 6.0 GHz

1.15:1

6.0 - 12.4 GHz

1.25:1

Peak Power:

1.5 KW.

Impedance:

50 Ω

Mechanical Specifications

Connector:

Brass, Nickel plated.

Contact:

Brass, Gold plated.

Housing:

Brass, Nickel plated.

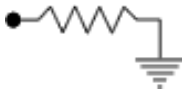
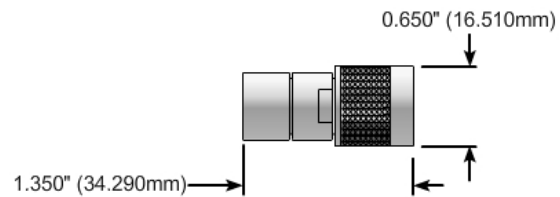
Insulator:

PTFE, Virgin grade.

Weight:

24.0 Grams.

Part Dimensions

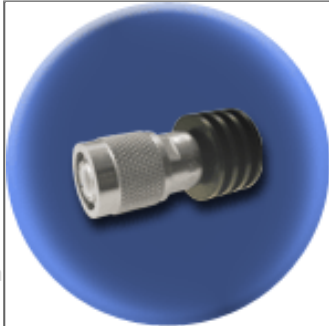


2445 Success Drive Odessa, FL 33556
727-376-6655 or 800-246-4084

Component General, Inc.

P/N:CFT-5 TM

Coaxial TNC Series



Electrical Specifications

Average Power:

5 W.

Frequency Range: VSWR (Max.):

DC - 6.0 GHz

1.15:1

6.0 - 12.4 GHz

1.25:1

Peak Power:

2.0 KW.

Impedance:

50 Ω

Mechanical Specifications

Connector:

Brass, Nickel plated.

Contact:

Brass, Gold Plated.

Housing:

Aluminum, Black, Anodized.

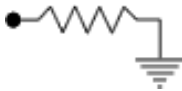
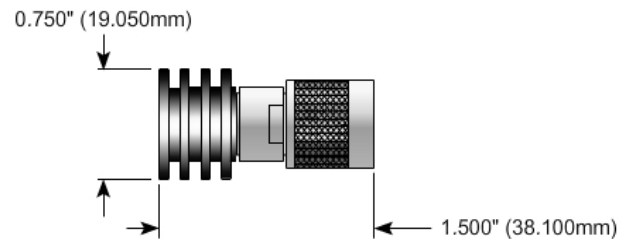
Insulator:

PTFE, Virgin grade.

Weight:

24.0 Grams.

Part Dimensions

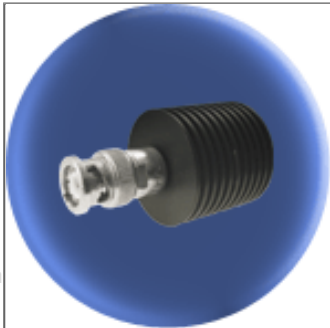


2445 Success Drive Odessa, FL 33556
727-376-6655 or 800-246-4084

Component General, Inc.

P/N:CFT-15 TM

Coaxial TNC Series



Electrical Specifications

Average Power:

15 W.

Frequency Range:

DC - 6.0 GHz
6.0 - 12.4 GHz

VSWR (Max.):

1.25:1
1.35:1

Peak Power:

2.0 KW.

Impedance:

50 Ω

Mechanical Specifications

Connector:

Brass, Nickel plated.

Contact:

Brass, Silver plated.

Housing:

Aluminum, Black Anodized.

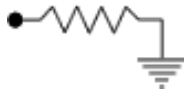
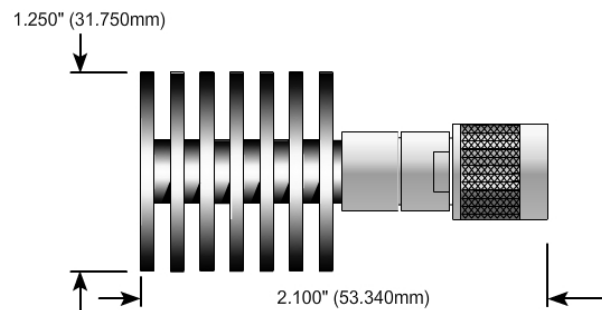
Insulator:

PTFE, Virgin grade.

Weight:

53.0 Grams.

Part Dimensions

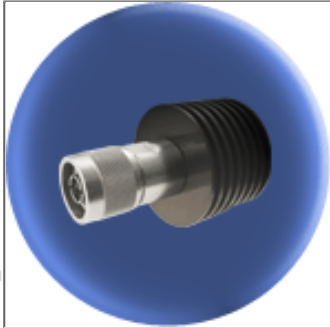


2445 Success Drive Odessa, FL 33556
727-376-6655 or 800-246-4084

Component General, Inc.

P/N:CFT-35 TM

Coaxial TNC Series



Electrical Specifications

Average Power:

35 W.

Frequency Range:

DC - 2.0 GHz

2.0 - 4.0 GHz

VSWR (Max.):

1.15:1

1.20:1

Peak Power:

3.0 KW.

Impedance:

50 Ω

Mechanical Specifications

Connector:

Brass, Nickel plated.

Contact:

Brass, Silver plated.

Housing:

Aluminum, Black Anodized.

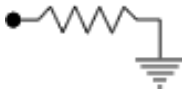
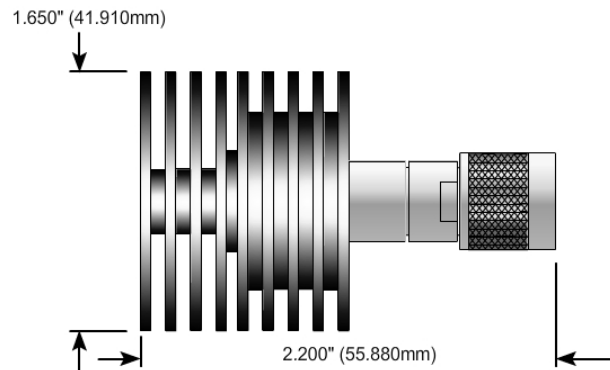
Insulator:

PTFE, Virgin grade.

Weight:

80.0 Grams.

Part Dimensions



2445 Success Drive Odessa, FL 33556
727-376-6655 or 800-246-4084