

# Aluminum Electrolytic Capacitors

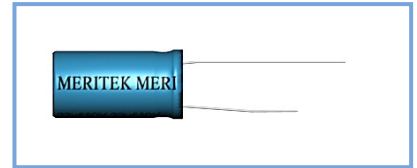


**NPC Series**  
( Non Polarity, For Twinkling Light)

**MERITEK**

## FEATURES

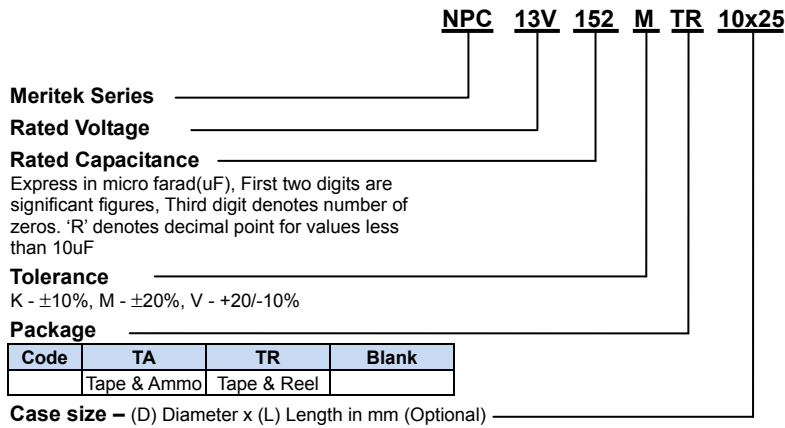
- Suitable for the direction light of automobile and motorcycle



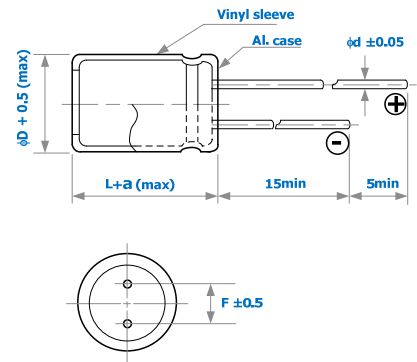
## SPECIFICATIONS

Item	Characteristic
Operating Temp Range	- 40 ~ +85°C
Rated Working Voltage	13VDC
Capacitance Tolerance (120Hz 20°C)	± 10%(K) ± 20%(M) +20/-10%(V)
Leakage Current (20°C)	$I \leq 1000(\mu A)$ * Under 100 Ω resistor series and rated voltage applied whichever after 3 minutes <b>I : Leakage Current (μA)</b> <b>C : Rated Capacitance(μF)</b> <b>V : Working Voltage (V)</b>
Dissipation Factor ( tan δ ) (120Hz 20°C)	tan δ ≤ 0.50

## PART NUMBER SYSTEM



## DIMENSIONS (mm)



φD	10	12.5
F	5.0	5.0
d	0.6	0.6
a	1.5	1.5

## CASE SIZE

Case size: DxL (mm)

Cap. (uF)	V	13
	Item	DxL
1500		10x25
1700		12.5x20
2200		12.5x25