



FEATURES:

- RoHS compliant
- High efficiency up to 89%
- Low profile plastic package
- 7 pin SIP package
- Operating temperature -40°C to + 85°C
- Short circuit protection
- Pin compatible with multiple manufacturers
- Input / Output Isolation 1000 and 3000VDC

Models
Single output



Model	Input Voltage (V)	Output Voltage (V)	Output Current max (mA)	Isolation (VDC)	Max Capacitive Load (uF)	Efficiency
AM1D-0505S-RZ	4.5-5.5	5	200	1000	220	84
AM1D-0509S-RZ	4.5-5.5	9	111	1000	220	86
AM1D-0512S-RZ	4.5-5.5	12	83	1000	100	87
AM1D-0515S-RZ	4.5-5.5	15	66	1000	100	87
AM1D-1205S-RZ	10.8-13.2	5	200	1000	220	84
AM1D-1209S-RZ	10.8-13.2	9	111	1000	220	86
AM1D-1212S-RZ	10.8-13.2	12	83	1000	100	88
AM1D-1215S-RZ	10.8-13.2	15	66	1000	100	88
AM1D-1505S-RZ	13.6-16.5	5	200	1000	220	84
AM1D-1509S-RZ	13.6-16.5	9	111	1000	220	86
AM1D-1512S-RZ	13.6-16.5	12	83	1000	100	87
AM1D-1515S-RZ	13.6-16.5	15	66	1000	100	89
AM1D-2405S-RZ	21.6-26.4	5	200	1000	220	83
AM1D-2409S-RZ	21.6-26.4	9	111	1000	220	86
AM1D-2412S-RZ	21.6-26.4	12	83	1000	100	87
AM1D-2415S-RZ	21.6-26.4	15	66	1000	100	87
AM1D-4805S-RZ	43.6-52.8	5	200	1000	220	79
AM1D-4809S-RZ	43.6-52.8	9	111	1000	220	82
AM1D-4812S-RZ	43.6-52.8	12	83	1000	100	82
AM1D-4815S-RZ	43.6-52.8	15	66	1000	100	81
AM1D-0505SH30-RZ	4.5-5.5	5	200	3000	220	84
AM1D-0509SH30-RZ	4.5-5.5	9	111	3000	220	86
AM1D-0512SH30-RZ	4.5-5.5	12	83	3000	100	87
AM1D-0515SH30-RZ	4.5-5.5	15	66	3000	100	87
AM1D-1205SH30-RZ	10.8-13.2	5	200	3000	220	84
AM1D-1209SH30-RZ	10.8-13.2	9	111	3000	220	86
AM1D-1212SH30-RZ	10.8-13.2	12	83	3000	100	88
AM1D-1215SH30-RZ	10.8-13.2	15	66	3000	100	88
AM1D-1505SH30-RZ	13.6-16.5	5	200	3000	220	84
AM1D-1509SH30-RZ	13.6-16.5	9	111	3000	220	86
AM1D-1512SH30-RZ	13.6-16.5	12	83	3000	100	87
AM1D-1515SH30-RZ	13.6-16.5	15	66	3000	100	89
AM1D-2405SH30-RZ	21.6-26.4	5	200	3000	220	83
AM1D-2409SH30-RZ	21.6-26.4	9	111	3000	220	86
AM1D-2412SH30-RZ	21.6-26.4	12	83	3000	100	87
AM1D-2415SH30-RZ	21.6-26.4	15	66	3000	100	87
AM1D-4805SH30-RZ	43.6-52.8	5	200	3000	220	79
AM1D-4809SH30-RZ	43.6-52.8	9	111	3000	220	82
AM1D-4812SH30-RZ	43.6-52.8	12	83	3000	100	82
AM1D-4815SH30-RZ	43.6-52.8	15	66	3000	100	81

Models
Dual output

Model	Input Voltage (V)	Output Voltage (V)	Output Current max (mA)	Isolation (VDC)	Max Capacitive Load (uF)	Efficiency (%)
AM1D-0505D-RZ	4.5-5.5	±5	±100	1000	±100	84
AM1D-0509D-RZ	4.5-5.5	±9	±55	1000	±100	86
AM1D-0512D-RZ	4.5-5.5	±12	±41	1000	±47	87
AM1D-0515D-RZ	4.5-5.5	±15	±33	1000	±47	88
AM1D-1205D-RZ	10.8-13.2	±5	±100	1000	±100	85
AM1D-1209D-RZ	10.8-13.2	±9	±55	1000	±100	86
AM1D-1212D-RZ	10.8-13.2	±12	±41	1000	±47	89
AM1D-1215D-RZ	10.8-13.2	±15	±33	1000	±47	89
AM1D-1505D-RZ	13.6-16.5	±5	±100	1000	±100	85
AM1D-1509D-RZ	13.6-16.5	±9	±55	1000	±100	87
AM1D-1512D-RZ	13.6-16.5	±12	±41	1000	±47	87
AM1D-1515D-RZ	13.6-16.5	±15	±33	1000	±47	89
AM1D-2405D-RZ	21.6-26.4	±5	±100	1000	±100	84
AM1D-2409D-RZ	21.6-26.4	±9	±55	1000	±100	87
AM1D-2412D-RZ	21.6-26.4	±12	±41	1000	±47	87
AM1D-2415D-RZ	21.6-26.4	±15	±33	1000	±47	87
AM1D-4805D-RZ	43.6-52.8	±5	±100	1000	±100	80
AM1D-4809D-RZ	43.6-52.8	±9	±55	1000	±100	82
AM1D-4812D-RZ	43.6-52.8	±12	±41	1000	±47	82
AM1D-4815D-RZ	43.6-52.8	±15	±33	1000	±47	82
AM1D-0505DH30-RZ	4.5-5.5	±5	±100	3000	±100	84
AM1D-0509DH30-RZ	4.5-5.5	±9	±55	3000	±100	86
AM1D-0512DH30-RZ	4.5-5.5	±12	±41	3000	±47	87
AM1D-0515DH30-RZ	4.5-5.5	±15	±33	3000	±47	88
AM1D-1205DH30-RZ	10.8-13.2	±5	±100	3000	±100	85
AM1D-1209DH30-RZ	10.8-13.2	±9	±55	3000	±100	86
AM1D-1212DH30-RZ	10.8-13.2	±12	±41	3000	±47	89
AM1D-1215DH30-RZ	10.8-13.2	±15	±33	3000	±47	89
AM1D-1505DH30-RZ	13.6-16.5	±5	±100	3000	±100	85
AM1D-1509DH30-RZ	13.6-16.5	±9	±55	3000	±100	87
AM1D-1512DH30-RZ	13.6-16.5	±12	±41	3000	±47	87
AM1D-1515DH30-RZ	13.6-16.5	±15	±33	3000	±47	89
AM1D-2405DH30-RZ	21.6-26.4	±5	±100	3000	±100	84
AM1D-2409DH30-RZ	21.6-26.4	±9	±55	3000	±100	87
AM1D-2412DH30-RZ	21.6-26.4	±12	±41	3000	±47	87
AM1D-2415DH30-RZ	21.6-26.4	±15	±33	3000	±47	87
AM1D-4805DH30-RZ	43.6-52.8	±5	±100	3000	±100	80
AM1D-4809DH30-RZ	43.6-52.8	±9	±55	3000	±100	82
AM1D-4812DH30-RZ	43.6-52.8	±12	±41	3000	±47	82
AM1D-4815DH30-RZ	43.6-52.8	±15	±33	3000	±47	82

NOTE: All specifications in this datasheet are measured at an ambient temperature of 25°C, humidity<75%, nominal input voltage and at rated output load unless otherwise specified.

Input Specifications

Parameters	Nominal	Typical	Maximum	Units
Voltage range	5	4.5-5.5		VDC
	12	10.8-13.2		
	15	13.6-16.5		
	24	21.6-26.4		
	48	43.6-52.8		
Filter	Capacitor			

Input Specifications (continued)

Parameters	Nominal	Typical	Maximum	Units
Voltage range	5	4.5-5.5		VDC
	12	10.8-13.2		
	15	13.6-16.5		
	24	21.6-26.4		
	48	43.6-52.8		
Filter	Capacitor			
Absolute Maximum Rating	5 Vin	9		VDC
	12 Vin	18		
	15 Vin	20		
	24 Vin	30		
	48 Vin	54		
Peak Input Voltage time		100		ms
Input Reflected Ripple Current	5 & 12Vin	20		mA p-p
	15 Vin	30		
	24Vin	40		
	48	50		

Isolation Specifications

Parameters	Conditions	Typical	Rated	Units
Tested I/O voltage	3 sec		1000, 3000	VDC
Resistance		> 1000		MOhm
Capacitance		60		pF

Output Specifications

Parameters	Conditions	Typical	Maximum	Units
Voltage accuracy		±3		%
Voltage balance (Dual Output model)	Balanced Load	±1		%
Short Circuit protection		Momentary (1 sec)		
Line voltage regulation	For 1.0% of Vin	±1.2		%
Load voltage regulation	load 10~100%	±6		%
Temperature coefficient		±0.02		%/°C
Ripple & Noise	At 20MHz Bandwidth	50		mV p-p

General Specifications

Parameters	Conditions	Typical	Maximum	Units
Switching frequency	100% load	70		KHz
Operating temperature	Full Load without Derating	-40 to +85		°C
Storage temperature		-40 to +125		°C
Max Case temperature			+100	°C
Cooling	Free air convection			
Humidity			95	%
Case material	Non-conductive black plastic (UL94V-0 rated)			
Weight		2.3		g
Dimensions (L x W x H)	0.76 x 0.24 x 0.37 inch 19.50 x 6.00 x 9.50 mm			
MTBF	>2 000 000 hrs (MIL-HDBK -217F, Ground Benign, t _v +25°C)			

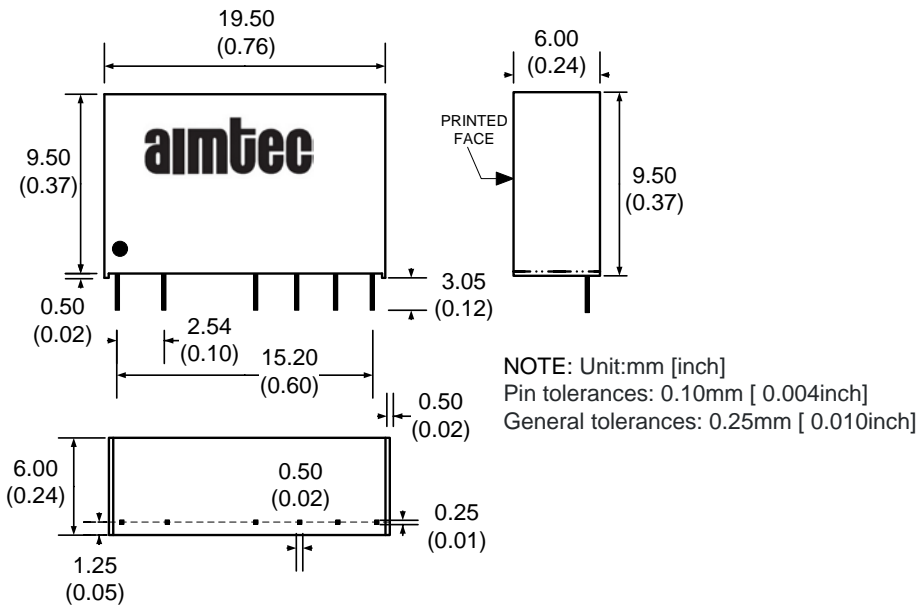
Safety Specifications

Parameters	
Agency Approval	CE
Standards	EN55022: 2006 + A1: 2007, Class B
	EN55024: 1998 + A1: 2001 + A2:2003
	IEC61000-4-2:2008
	IEC61000-4-3: 2006 + A1: 2007
	IEC61000-4-4, 2004
	IEC61000-4-6: 2008
	IEC61000-4-8: 1993 + A1:2000

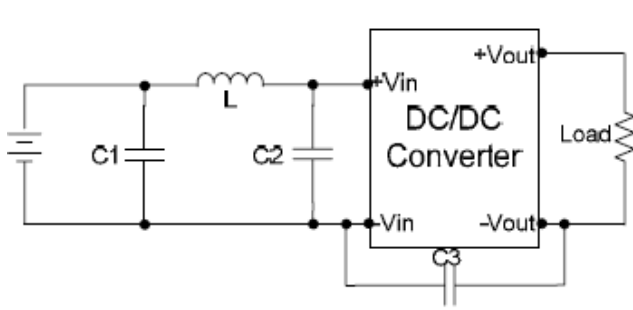
Pin Out Specifications

Pin	1000VDC		3000VDC	
	Single	Dual	Single	Dual
1	+ V Input	+ V Input	+ V Input	+ V Input
2	- V Input	- V Input	- V Input	- V Input
4	- V Output	- V Output	No pin	No pin
5	No pin	Common	- V Output	- V Output
6	+ V Output	+ V Output	No pin	Common
7	No pin	No pin	+ V Output	+ V Output

Dimensions:

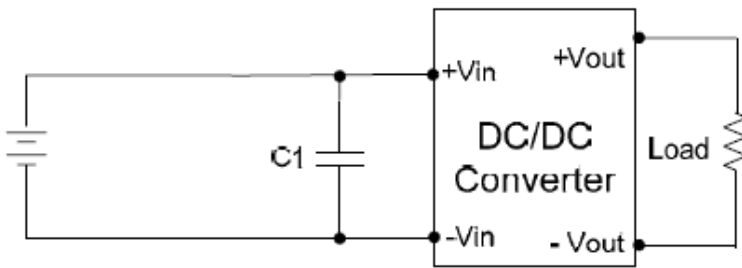


Conducted Emissions



	C1	L	C2	C3
AMxD-05XXz-yZ	1210 2.2uF/100V	18uH		
AMxD-12XXz-yZ	1210, 2.2uF/100V	18uH		
AMxD-15XXz-yZ	1210 2.2uF/100V	18uH		
AMxD-24XXz-yZ	1210, 2.2uF/100V	18uH	1210 2.2uF/100V	1206 470pF/2KV
AMxD-48XXz-yZ	1210 2.2uF/100V	18uH	1210, 2.2uF/100V	1206 470pF/2KV

EFT



	C1
AMxD-05XXz-yZ	220uF, 100V
AMxD-12XXz-yZ	
AMxD-15XXz-yZ	
AMxD-24XXz-yZ	
AMxD-48XXz-yZ	

NOTE: 1. Datasheets are updated as needed and as such, specifications are subject to change without notice. Once printed or downloaded, datasheets are no longer controlled by Aimtec; refer to www.aimtec.com for the most current product specifications. 2. Product labels shown, including safety agency certifications on labels, may vary based on the date manufactured. 3. Mechanical drawings and specifications are for reference only. 4. All specifications are measured at an ambient temperature of 25°C, humidity<75%, nominal input voltage and at rated output load unless otherwise specified. 5. Aimtec may not have conducted destructive testing or chemical analysis on all internal components and chemicals at the time of publishing this document. CAS numbers and other limited information are considered proprietary and may not be available for release. 6. This product is not designed for use in critical life support systems, equipment used in hazardous environments, nuclear control systems or other such applications which necessitate specific safety and regulatory standards other the ones listed in this datasheet. 7. Warranty is in accordance with Aimtec's standard Terms of Sale available at www.aimtec.com.