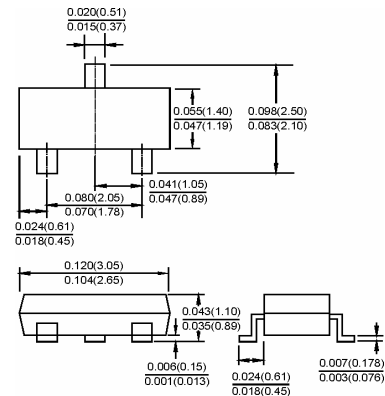


SOT-23



Features

- ◇ Small surface mounting type.(UMD3,SMD3)
- ◇ Two diode elements are connected in series.

Applications

- ◇ High speed switching application.

Dimensions in inches and (millimeters)

Ordering Information

Type No.	Marking	Package Code
DAN217	BA1	SOT-23

MAXIMUM RATING @ Ta=25°C unless otherwise specified

Characteristic	Symbol	Limits	Unit
Peak Reverse Voltage	V_{RM}	80	V
DC Reverse Voltage	V_R	80	V
Maximum (peak)forward Current	I_{FM}	300	mA
Forward Continuous Current	I_o	100	mA
Surge Current (1μs)	I_{FSM}	4000	mA
Power Dissipation	P_d	200	mW
Operating Junction Temperature Range	T_j	125	°C
Storage Temperature Range	T_{STG}	-55 to +125	°C

ELECTRICAL CHARACTERISTICS @ Ta=25°C unless otherwise specified

Characteristic	Symbol	Min	MAX	UNIT	Test Condition
Reverse Breakdown Voltage	$V_{(BR)R}$	80		V	$I_R=100\mu A$
Forward Voltage	V_F		1.2	V	$I_F=100mA$
Reverse Leakage Current	I_R		0.1	μA	$V_R=70V$

TYPICAL CHARACTERISTICS @ Ta=25°C unless otherwise specified

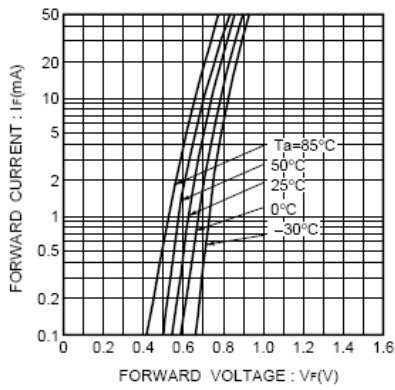


Fig.4 Forward characteristics

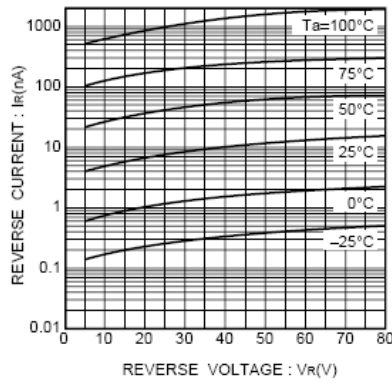


Fig.5 Reverse characteristics

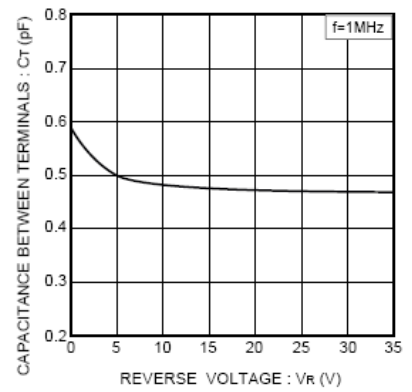


Fig.6 Capacitance between terminals characteristics