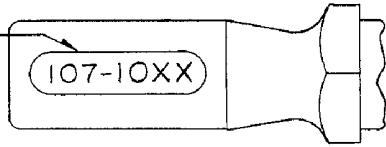
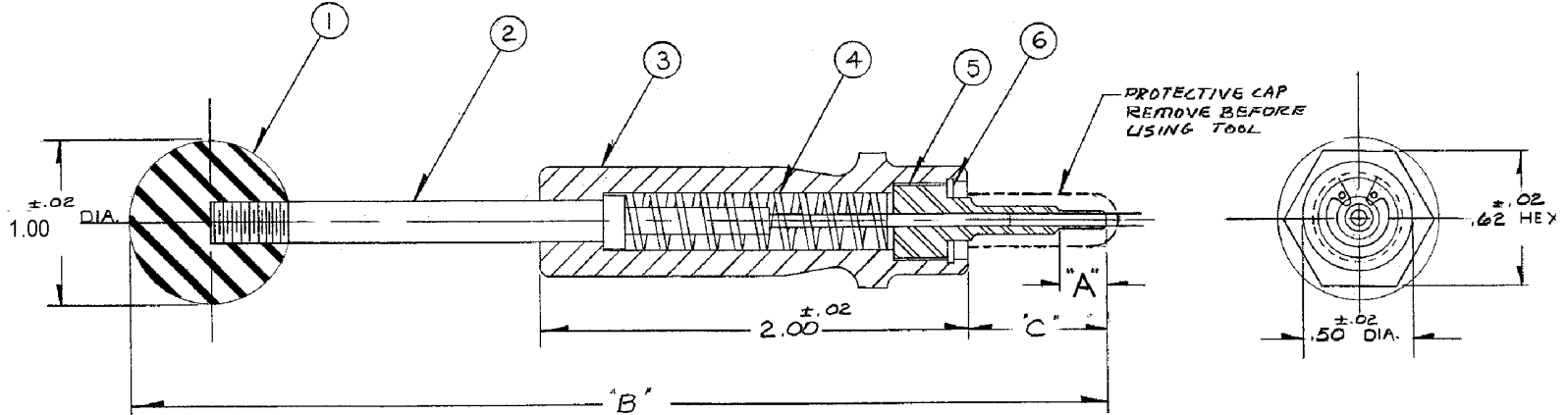


6486

CAT. NO. STAMPED AS SHOWN.



NOTE:
1. WHEN ORDERING REPLACEMENT PARTS SPECIFY CAT'L. NO. & PART NO. FROM CHART BELOW.



WT.	oz	CAT'L. NO.	USE ON	"C"	"B"	ITEM 1	ITEM 2	ITEM 3	ITEM 4	ITEM 5	ITEM 6	"A"
		107-1008	100-5620	.673	4.60	6561	6560-1	6559-1	6558	8287-1	107-1403	.315
		107-1005	MRAC AND MRAC CO-AXIAL	.643	4.42	6561	6560-5	6559-2	6558	8288	107-1403	N/A
		107-1012	SREC P/S	.673	4.60	6561	6560-4	6559-3	6558	8287	107-1403	.255
		107-1036	MIL-C-26482 SIZE-12	.643	4.42	6561	6560-3	6559-3	6558	6557-3	107-1403	.210
		107-1035	MIL-C-26482 SIZE-16	.640	4.42	6561	6560-3	6559-3	6558	6557-3	107-1403	.190
		107-1032	MIL-C-26482 SIZE-20	.670	4.60	6561	6560-2	6559-2	6558	6557-2	107-1403	.210
				.640	4.42	6561	6560-1	6559-1	6558	6557-1	107-1403	.190

- ① BALL HANDLE — BLACK PHENOLIC
- ② PLUNGER — STAINLESS STEEL QQ-S-76 PASSIVATING DIP.
- ③ BODY — ALUMINUM ALLOY QQ-A-225 ANODIZE
- ④ SPRING — COMPRESSION — STAINLESS STEEL
- ⑤ PROBE — OIL H'D'G. TOOL STEEL-HERT TREATED.
- ⑥ RETAINING RING — WALDES 5000 SERIES

REV.	CHANGE	DATE	BY	CHKD.	DESCRIPTION	TOLERANCE UNLESS OTHERWISE SPECIFIED	FRACTIONS ±	DECIMALS ±	ANGULAR ±	TITLE
B	REDRAWN	7-12-65	RS	RS	EN-10242					OUTLINE - CONTACT REMOVAL TOOL
C	ADDED CAT'L. NO. - 107-1035 & 107-1036 & PART DIMS. TO TABLE NRES. TO TABLE EN-10268A	2-19-64	RS	RS	EN-10242					MATERIAL AS LISTED
D	TOP TOOL ADDED - CAT'L. NO. STAMPED AS SHOWN WAS STAMP LETTERS 39. MARK AS REQ'D. - "TEMP" CHART. CO-AXIAL AND MRAC. BLACK PHENOLIC WAS REID BY - 5000-SERIES WAS STAMPED 39. MARK AS REQ'D. EN-10242	7-12-65	RS	RS	EN-10242					FINISH
E	107-1012, 1035, 1036, 1032	9-30-64	RS	RS	EN-10242					SCALE 2:1
F	ADDED TO 1008, 1005, 1008, EN-10242	10-10-63	RS	RS	EN-10242					DR. P. STAFK
G	ADDED TAB 'A', 1/16" PER SOP EN-14578	1-10-64	RS	RS	EN-10242					DATE 12-11-63
H	1/8" WAS 1/4" WAS 1/2" WAS 5/8" WAS 3/4" ADDED COLUMN C & B GEN. TOL. FRACTIONS EN-10242	1-13-64	RS	RS	EN-10242					DATE 1-10-64
I	FOR EQUIV. - THIS AREA ADDED.	1-13-64	RS	RS	EN-10242					DATE 1-13-64
J	SEAN-STEEL RING PRE-TO CAP ADDED EN-20208	06/06/02	RS	RS	EN-10242					APD. WLD
K	REVISED 75 DIM. TO 1.00. ECR 7349		RS	RS	EN-10242					WINCHESTER ELECTRONICS, INC. NORWALK, CONN.

EN-10085

DWG. SIZE B 6486 REV. K