

PLEASE CHECK WWW.MOLEX.COM FOR LATEST PART INFORMATION

Part Number: [0359030096](#)
Status: **Active**
Overview: [bulb sockets](#)
Description: Positive Silicone Rubber Wire Seal for Sealed PT Bulb Socket

Documents:

[Drawing \(PDF\)](#) [RoHS Certificate of Compliance \(PDF\)](#)
[Product Specification PS-35842-001 \(PDF\)](#)

General

Product Family	Accessories
Series	35903
Component Type	Wire Seal
Overview	bulb sockets
Product Name	Bulb Socket

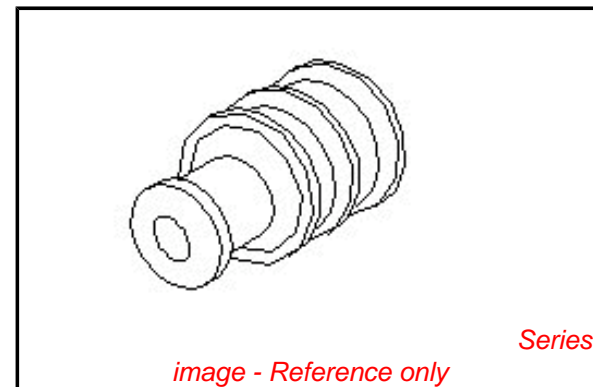
Physical

Breakaway	No
Circuits (Loaded)	N/A
Lock to Mating Part	No
Number of Rows	0
Packaging Type	Bag
Temperature Range - Operating	-40°C to +120°C

Material Info

Reference - Drawing Numbers

Product Specification	PS-35842-001
Sales Drawing	SD-35903-0096



EU RoHS

**ELV and RoHS
Compliant**
REACH SVHC
 Not Reviewed
**Halogen-Free
Status**

China RoHS



**Need more information on product
environmental compliance?**

Email productcompliance@molex.com
 For a multiple part number RoHS Certificate of Compliance, [click here](#)

Please visit the [Contact Us](#) section for any non-product compliance questions.

Search Parts in this Series

[35903Series](#)

Use With

[35407](#) Female Terminal . [35825](#) Automotive Horn Female Housing

7

6

5

4

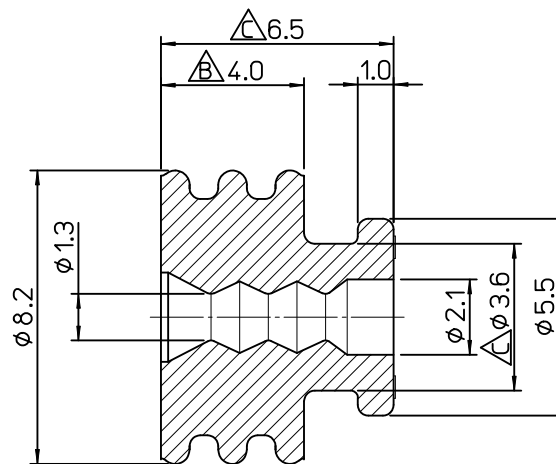
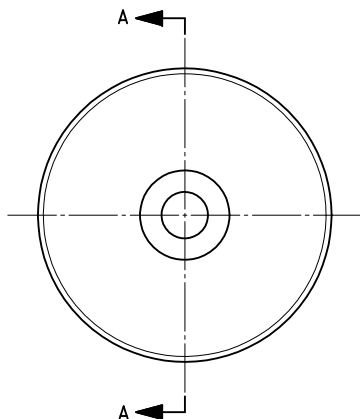
3

2

1

NOTES

1. MATERIAL: LUBRICATED SILICONE RUBBER
COLOR: BROWN
2. APPLICABLE WIRE SIZE: AVS0.5~0.85SQ
3. APPLICABLE TERMINAL: 35464-8000
4. APPLICABLE SOCKET: 35842, 35843



SECTION A-A

<TABLE 1>

359030096	35903-0096
MATERIAL NO.	ORDER NO.

REVISED EC NO: KOR2010-0141 DRW: EOKIM 2010/03/10 CHK: WYANG 2010/03/10 APPR: YUNSIKKIM 2010/03/11	QUALITY SYMBOLS = 0 = 0	GENERAL TOLERANCES (UNLESS SPECIFIED)		DIMENSION STYLE MM ONLY		SCALE 5:1	DESIGN UNITS METRIC	THIRD ANGLE PROJECTION		
			mm	INCH	DRAWN BY YSIKKIM	DATE 1999/05/26	TITLE WIRE SEAL FOR POSITIVE TERMINAL			
		4 PLACES	± ---	± ---	CHECKED BY BKCHOI	DATE 1999/05/26	MATERIAL NO. SEE TABLE 1			
		3 PLACES	± ---	± ---	APPROVED BY CWLEE	DATE 1999/05/26	DOCUMENT NO. SD-35903-0096		SHEET NO. 1 OF 1	
	2 PLACES	± 0.1	± ---	ANGULAR ± 1 °		MOLEX INCORPORATED				
	1 PLACE	± 0.2	± ---	DRAFT WHERE APPLICABLE MUST REMAIN WITHIN DIMENSIONS		THIS DRAWING CONTAINS INFORMATION THAT IS PROPRIETARY TO MOLEX INCORPORATED AND SHOULD NOT BE USED WITHOUT WRITTEN PERMISSION				

6

5

4

3

2

1