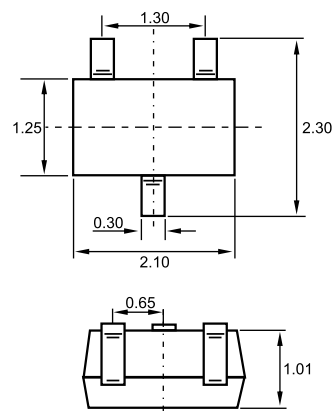


### SOT-323



Dimensions in inches and (millimeters)

### Features

- ✧ High reliability type.
- ✧ Low  $V_F$ .
- ✧ High reliability.

### Applications

- ✧ Low current rectification.

### Ordering Information

Type No.	Marking	Package Code
RB717F	3E	SOT-323

### MAXIMUM RATING @ $T_a=25^\circ\text{C}$ unless otherwise specified

Characteristic	Symbol	Limits	Unit
Repetitive peak reverse Voltage	$V_{RM}$	40	V
DC Reverse Voltage	$V_R$	40	V
Average rectified forward current	$I_O$	30	mA
Forward current surge peak(60Hz.1cyc)	$I_{FSM}$	200	mA
Power Dissipation	$P_d$	200	mW
Operating Junction Temperature Range	$T_j$	125	$^\circ\text{C}$
Storage Temperature Range	$T_{STG}$	-45 to +125	$^\circ\text{C}$

### ELECTRICAL CHARACTERISTICS @ $T_a=25^\circ\text{C}$ unless otherwise specified

Characteristic	Symbol	Min	TYP	MAX	UNIT	Test Condition
Forward Voltage	$V_F$	-		0.37	V	$I_F=1.0\text{mA}$
Reverse Leakage Current	$I_R$	-		1.0	$\mu\text{A}$	$V_R=10\text{V}$
Diode Capacitance	$C_D$	-	2.0		pF	$V_R=1.0\text{V}, f=1\text{MHz}$

## TYPICAL CHARACTERISTICS @ Ta=25°C unless otherwise specified

