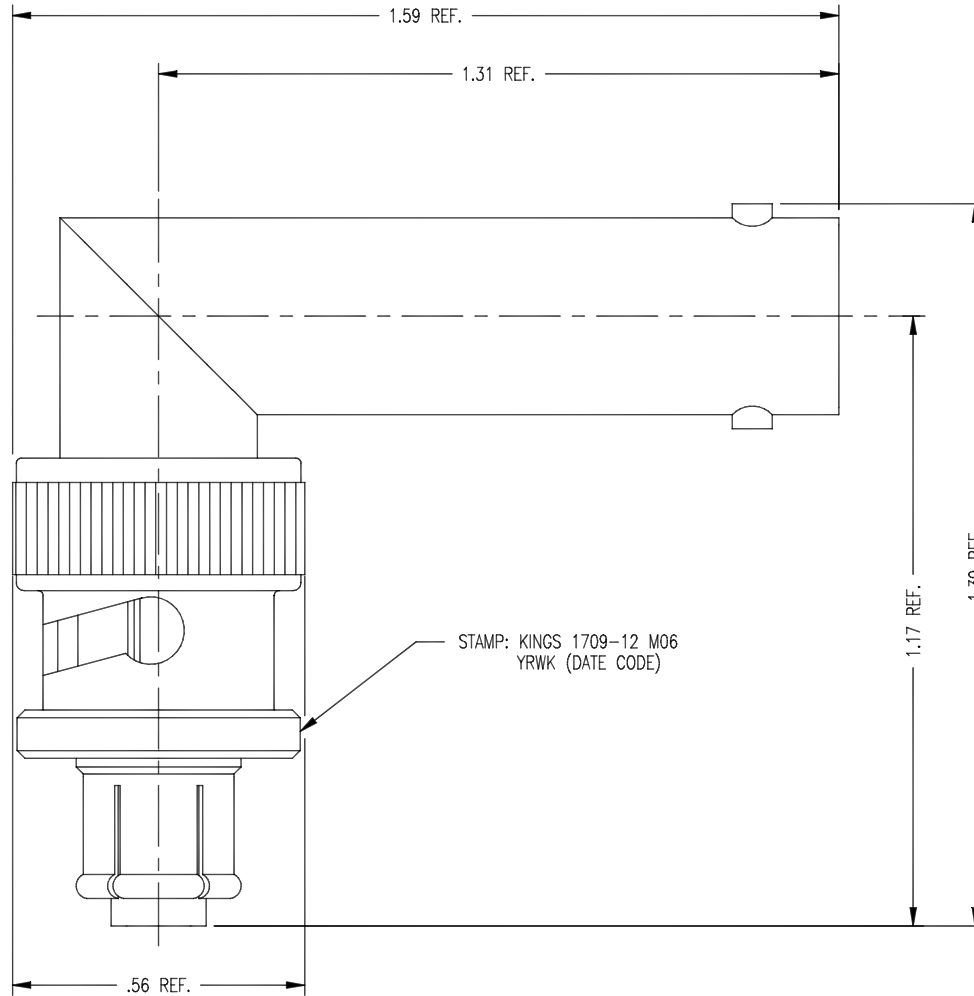


GSD



1709-12 M06

REVISIONS

ISSUE	CHANGES
0	ER 16373 JHP 10/01/76
1	CN 20478 C GJG 04/01/80
2	CN 22543 A GL 09/14/81
3	CN 22554 C GL 10/18/81
4	CN 26056 C SB 04/16/84
5	CN 37897 C REDRAWN TML 09/24/99
6	CN 38040 C TML 07/21/00
H	REVISED PER ER17635 GGR 8/18/2009

1709-12S

THIS DRAWING, THE DESIGNS AND IDEAS EMBODIED IN THE DEVICE TO WHICH IT RELATES, AND THE METHOD OF PRODUCING THE DEVICE, ARE THE PROPERTY OF WINCHESTER ELECTRONICS CORPORATION AND SHALL NOT BE EMPLOYED, COPIED, OR DISCLOSED TO ANYONE, IN ANY MANNER WITHOUT THE CONSENT OF WINCHESTER ELECTRONICS CORPORATION.

SCALE 4:1

APPROX SURFACE AREA

USED ON

REF:

SHV ANGLE  
ADAPTER (M-F)

DRAWN JHP	DATE 09/24/76
DESIGN	DATE
APPR. JC	DATE 10/01/76



Winchester Electronics  
82 Barnes Industrial  
Road North  
Wallingford, CT 06492

GSD

1709-12 M06