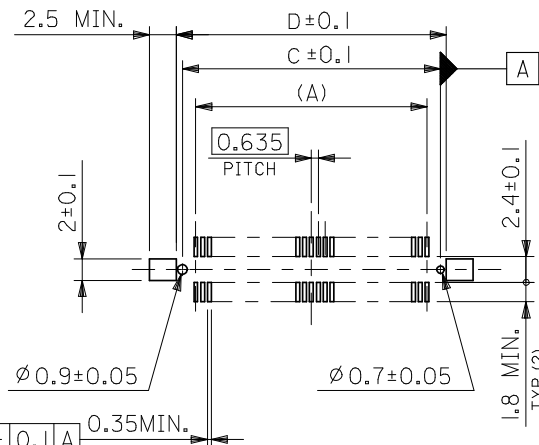
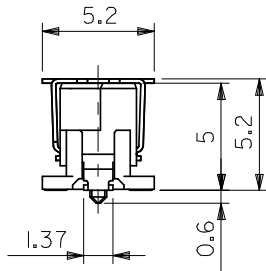
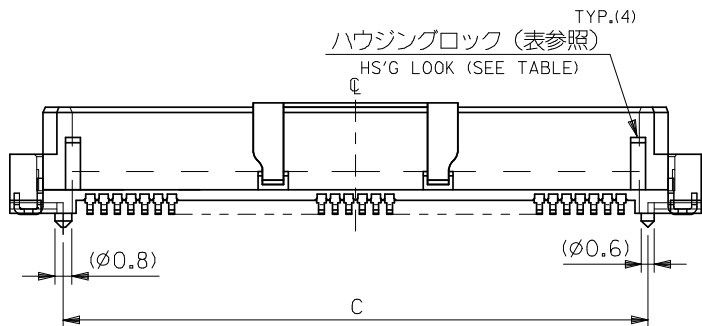


半田付け部詳細図
DETAIL FOR SOLDERING AREA



推奨基板寸法
RECOMMENDED PCB PATTERN LAYOUT



注) NOTES

- 材質 MATERIAL
ハウジング : ガラス入りLCP、黒色、UL94V-0
HOUSING: LIQUID CRYSTAL POLYMER (LCP), GLASS FILLED, BLACK, UL94V-0
ターミナル : 銅合金 (t=0.2)
TERMINAL: COPPER ALLOY
吸着力バー : ステンレス(t=0.2)
VACUUM COVER: STAINLESS STEEL
補強金具 : 銅合金 (t=0.25)
FITTING NAIL: COPPER ALLOY
- メッキ仕様 PLATING
ターミナル : 接点部 : 金メッキ 0.25 マイクロメートル以上。
CONTACT AREA : GOLD 0.25 MICROMETER MINIMUM.
半田付け部 : 錫メッキ 1.0 マイクロメートル以上。
SOLDER TAIL AREA : TIN 1.0 MICROMETER MINIMUM.
下地メッキ : ニッケルメッキ 1.5 マイクロメートル以上。
UNDER-PLATING : NICKEL 1.5 MICROMETER MINIMUM.
補強金具 : 錫メッキ 1.0 マイクロメートル以上。
FITTING NAIL : TIN 1.0 MICROMETER MINIMUM.
下地メッキ : ニッケルメッキ 1.0 マイクロメートル以上。
UNDER-PLATING: NICKEL 1.0 MICROMETER MINIMUM.
- テールのバラツキ寸法 TAIL COPLANARITY
テール及び金具の平坦度は、0.1以下とする。
TAIL AND FITTING NAIL COPLANARITY TO BE 0.1 MAXIMUM.
- エンボス対応済みの極数については、SD-55091-007を参照下さい。
FOR THE EMBOSSED PACKAGE PRODUCTS, SEE SD-55091-007.
- 本製品は55091-***2の鉛フリー品である。
THIS PRODUCT IS LEAD FREE OF 55091-***2.

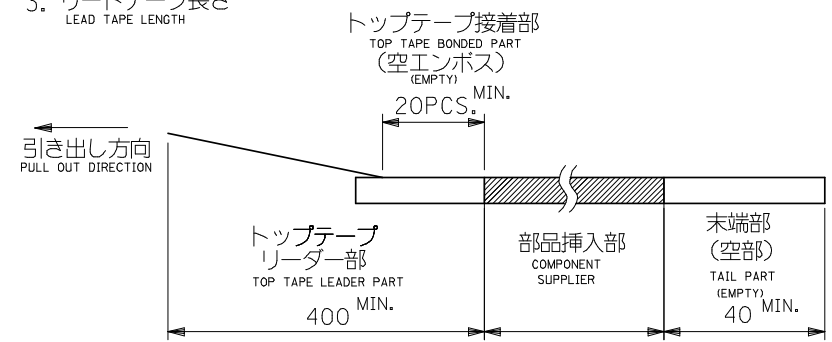
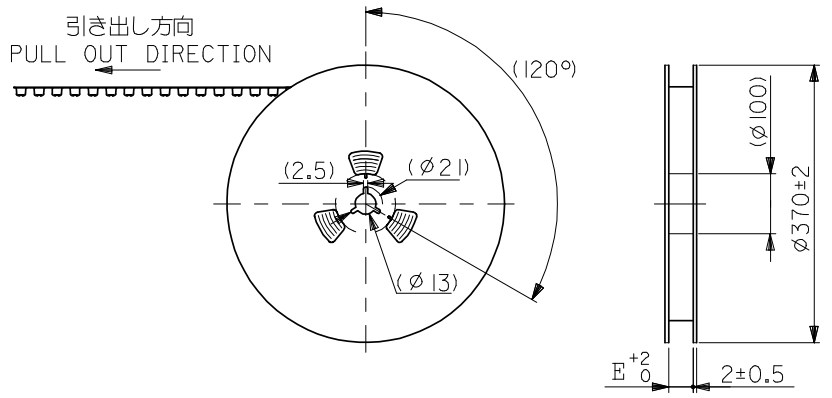
無し NO	79.17	78.07	83.07	75.565	—	55091-2475	55091-2472	240	○
	66.47	65.37	70.37	62.865	—	-2075	-2072	200	○
	60.12	59.02	64.02	56.515	—	-1875	-1872	180	○
	53.77	52.67	57.67	50.165	55091-1674	-1675	-1672	160	○
	47.42	46.32	51.32	43.815	55091-1474	-1475	-1472	140	○
	41.07	39.97	44.97	37.465	55091-1274	-1275	-1272	120	○
	34.72	33.62	38.62	31.115	55091-1074	-1075	-1072	100	○
	31.55	30.45	35.45	27.94	55091-0974	-0975	-0972	90	○
	28.37	27.27	32.27	24.765	55091-0874	-0875	-0872	80	○
	25.2	24.1	29.1	21.59	55091-0774	-0775	-0772	70	○
有り YES	24.56	23.46	28.46	20.955	—	-6875	-6872	68	○
	22.02	20.92	25.92	18.415	55091-0674	-0675	-0672	60	○
	18.85	17.75	22.75	15.24	55091-0574	-0575	-0572	50	○
	15.67	14.57	19.57	12.065	55091-0474	-0475	-0472	40	○
	12.5	11.4	16.4	8.89	55091-0374	-0375	-0372	30	○
9.32	8.22	13.22	5.715	55091-0274	55091-0275	55091-0272	20	○	
ハウジングロック HS'G LOCK	D	C	B	A	エンボス梱包 EMBOSSED PACKAGING	スティック梱包 STICK PACKAGING	製品番号 MATERIAL NO.	極数 CKT. NO.	量産対応 AVAILABLE
					ORDER No.	オーダー番号			

REVISED EC NO: J2009-0365 DRWN: NABEI CHKD: THARUYAMA APPR: NUKITA	DESCRIPTION 2008/08/06 2008/08/07	GENERAL TOLERANCES (UNLESS SPECIFIED)		DIMENSION STYLE MM ONLY		SCALE ---	DESIGN UNITS METRIC	THIRD ANGLE PROJECTION		
		10 UNDER	±0.2	DRAWN BY H. KAWABATA		DATE '04/03/05		TITLE 0.635 PITCH B-TO-B PLUG HS'G COVER ASS'Y -LEAD FREE- MOLEX INCORPORATED		
		10 OVER 30 UNDER	±0.25	CHECKED BY K. TOJO		DATE '04/03/05				
		30 OVER	±0.3	APPROVED BY M. SASAO		DATE '04/03/05				
		ANGULAR	±3	MATERIAL NO.		DOCUMENT NO.				
DRAFT WHERE APPLICABLE MUST REMAIN WITHIN DIMENSIONS		SEE TABLE		SD-55091-006		SHEET NO. 1 OF 1				
THIS DRAWING CONTAINS INFORMATION THAT IS PROPRIETARY TO MOLEX INCORPORATED AND SHOULD NOT BE USED WITHOUT WRITTEN PERMISSION										

注)

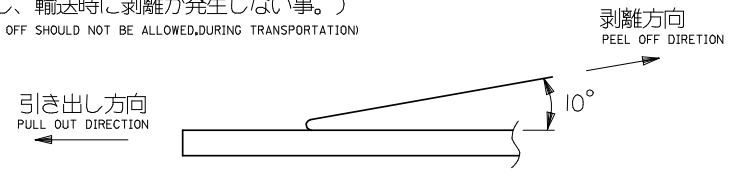
NOTES

- 製品番号 55091-***72 の詳細寸法については、SD-55091-006 を参照下さい。
IN THE PACKAGE , PART NO. 55901-***72 DETAILED DIMENSIONS , SEE SD-55091-006.
- 梱包数量 : 1000 個/リール
NUMBER OF CONNECTORS : 1000 PCS/REEL
- リードテープ長さ
LEAD TAPE LENGTH



- トップテープの剥離強度: (剥離方向は下図参照)
PEELING OFF FORCE OF TOP TAPE (PEELING DIRECTION AS SHOWN IN FOLLOWING FIG.)
0.1~1.3N {10~130gf}

尚、本規格値は、出荷時に適用。
THIS REQUIREMENT SHOULD BE APPLIED AT SHIPMENT
(但し、輸送時に剥離が発生しない事。)
(PEEL OFF SHOULD NOT BE ALLOWED, DURING TRANSPORTATION)

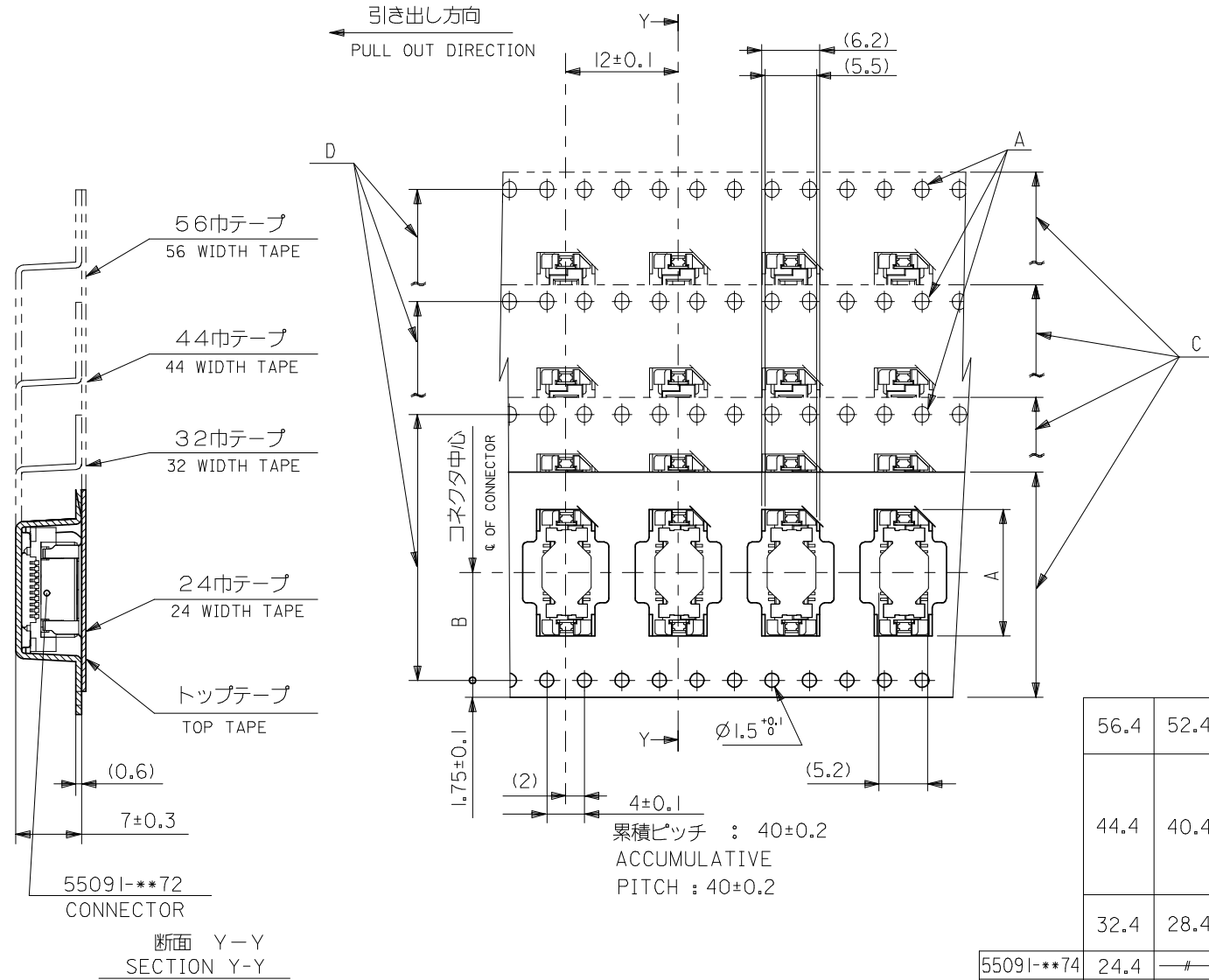


- 材料
MATERIAL
キャリアテープ : ポリプロピレン (PP)
CARRIER TAPE : POLYPROPYLENE (PP)
トップテープ : PET, PE, PEF
TOP TAPE : PET, PE, PEF
リール : 紙
REEL : CARD BOARD

- 本製品は55091-***4の鉛フリー品である。
THIS PRODUCT IS LEAD FREE OF 55091-***4.

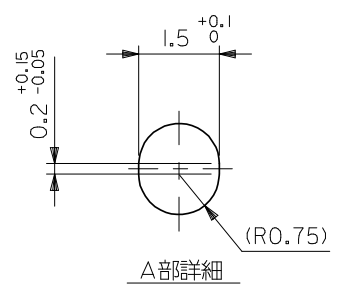
MODEL NO. 55091-***74

REVISED EC NO: J2009-0365 DRAWN: NABEI 2008/08/06 CHKD: THARUYAMA 2008/08/07 APPR: NUKITA 2008/08/07	GENERAL TOLERANCES (UNLESS SPECIFIED)		DIMENSION STYLE MM ONLY		SCALE ---	DESIGN UNITS METRIC	THIRD ANGLE PROJECTION	
	10 UNDER	±0.2	DRAWN BY KAWABATA	DATE '04/03/05	TITLE 55091-***72 TAPING PACKAGE -LEAD FREE-			
	10 OVER 30 UNDER	±0.25	CHECKED BY KTOJO	DATE '04/03/05				
	30 OVER	±0.3	APPROVED BY MSASAO	DATE '04/03/05	MOLEX INCORPORATED			
	ANGULAR	±3°	MATERIAL NO.	DOCUMENT NO.	SHEET NO.			
	DRAFT WHERE APPLICABLE MUST REMAIN WITHIN DIMENSIONS		SEE SHEET 2,3		SD-55091-007		1 OF 3	
SIZE A3 THIS DRAWING CONTAINS INFORMATION THAT IS PROPRIETARY TO MOLEX INCORPORATED AND SHOULD NOT BE USED WITHOUT WRITTEN PERMISSION								



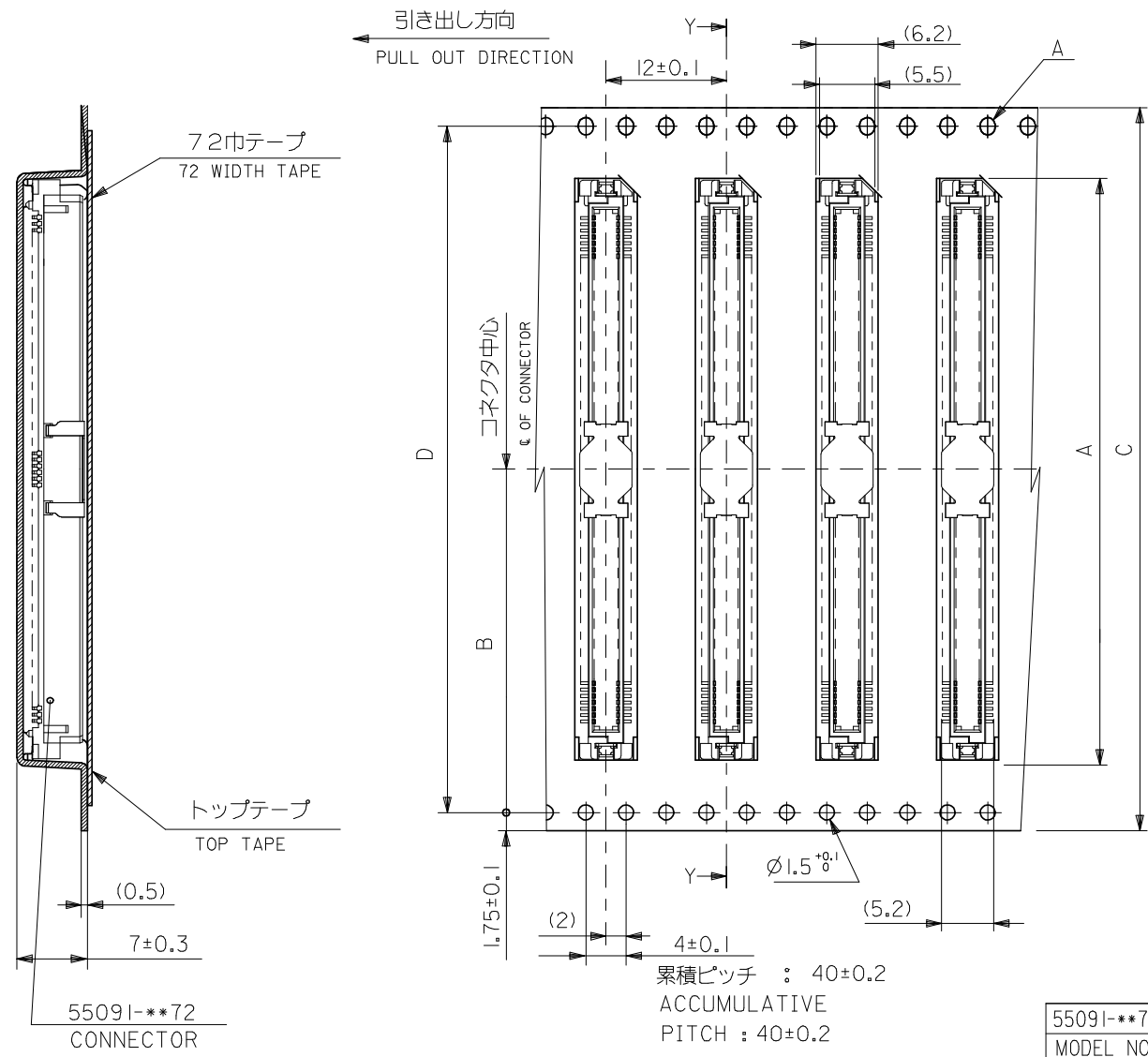
累積ピッチ : 40±0.2
ACCUMULATIVE PITCH : 40±0.2

断面 Y-Y
SECTION Y-Y



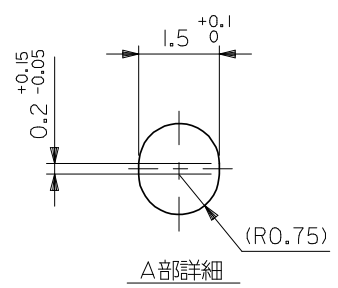
56.4	52.4	56 ^{+0.3}	26.2	38.9	55091-1074	100	○	
				35.8	-0974	90	○	
44.4	40.4	44 ^{+0.3}	20.2	32.6	-0874	80	○	
				29.4	-0774	70	○	
				28.8	-6874	68	-	
				26.2	-0674	60	○	
32.4	28.4	32 ^{+0.3}	14.2	23.1	-0574	50	○	
				19.9	-0474	40	○	
				16.7	-0374	30	○	
55091-***74	24.4	—	24 ^{+0.3}	11.5	13.5	55091-0274	20	○
MODEL NO	E	D	C	B	A	MATERIAL NO.	種数 NO. OF CKTS.	量産対応 AVAILABLE

REVISED EC NO: J2009-0365 DRWN: NABEI 2008/08/06 CHKD: THARYAMA 2008/08/07 APPR: NUKITA 2008/08/07	GENERAL TOLERANCES (UNLESS SPECIFIED)		DIMENSION STYLE	SCALE	DESIGN UNITS	THIRD ANGLE PROJECTION
	10 UNDER ±0.2		MM ONLY	---	METRIC	◎ □
	10 OVER 30 UNDER ±0.25		DRAWN BY DATE KAWABATA '04/03/05	TITLE 55091-***72 TAPING PACKAGE -LEAD FREE-	MOLEX INCORPORATED	
	30 OVER ±0.3					
	ANGULAR ±3°		APPROVED BY DATE MSASAO '04/03/05	MATERIAL NO.	DOCUMENT NO.	SHEET NO.
DRAFT WHERE APPLICABLE MUST REMAIN WITHIN DIMENSIONS		SEE TABLE	SD-55091-007	2 OF 3		



55091-**72
CONNECTOR

断面 Y-Y
SECTION Y-Y



累積ピッチ : 40±0.2
ACCUMULATIVE
PITCH : 40±0.2

55091-**74
MODEL NO.

72.4	68.4	72 ^{±0.3}	34.2	58.0	55091-1674	160	○
				51.6	55091-1474	140	○
				45.3	55091-1274	120	○
				(B)	(A)	MATERIAL NO.	極数 NO. OF CKTS.

REVISED EC NO: J2009-0365 DRWN: NABEI CHKD: THARYAMA APPR: NUKITA	2008/08/06	2008/08/07	2008/08/07	
	DESCRIPTION	GENERAL TOLERANCES (UNLESS SPECIFIED)		
	10 UNDER	±0.2		
	10 OVER 30 UNDER	±0.25		
	30 OVER	±0.3		
ANGULAR ±3°				
DRAFT WHERE APPLICABLE MUST REMAIN WITHIN DIMENSIONS				

DIMENSION STYLE MM ONLY		SCALE ---	DESIGN UNITS METRIC	THIRD ANGLE PROJECTION
DRAWN BY KAWABATA	DATE '04/03/05	TITLE 55091-**72 TAPING PACKAGE -LEAD FREE-		
CHECKED BY KTOJO	DATE '04/03/05	MOLEX INCORPORATED		
APPROVED BY MSASAO	DATE '04/03/05	MATERIAL NO.	DOCUMENT NO. SD-55091-007	SHEET NO. 3 OF 3
THIS DRAWING CONTAINS INFORMATION THAT IS PROPRIETARY TO MOLEX INCORPORATED AND SHOULD NOT BE USED WITHOUT WRITTEN PERMISSION				