

New Jersey Semi-Conductor Products, Inc.

20 STERN AVE.
 SPRINGFIELD, NEW JERSEY 07081
 U.S.A.

TELEPHONE: (973) 376-2922
 (212) 227-6005
 FAX: (973) 376-8960

PARAMETERS

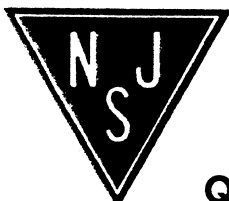
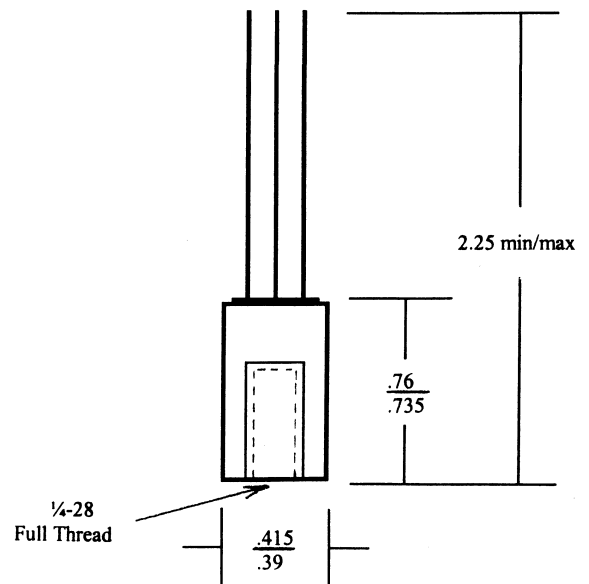
2N158
 GE PNP POWER BJT

Description: Ge PNP Power BJT

Manufacturer.....	
Mil/High-Rel? (Y/N).....	
Ic Max. (A).....	3.0
Vbr CEO.....	
Vbr CBO.....	60
Max. PD (W).....	1.5
Derate Above 25°C.....	333m
Min hFE.....	21
Max. hFE.....	36 _T
@Ic (test) (A).....	500m
@VCE (V).....	
Trans. Freq (Hz) Min.....	180k ^a
Icbo Max. @Vcb Max. (A).....	1.0m
R(sat) (Ω).....	
Tr Max. (s).....	
t(f) Max. (S).....	
Oper. Temp (°C) Max.....	85 _J
Pkg Style.....	TO-13
Surface Mounted (Y/N).....	N
Pinout Equivalence Number.....	3-15

J Junction Temperature T Typical Ξ It(rms) ^a f(ab)

TO13 (Mod.)



Quality Semi-Conductors