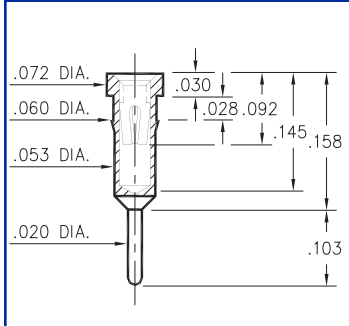
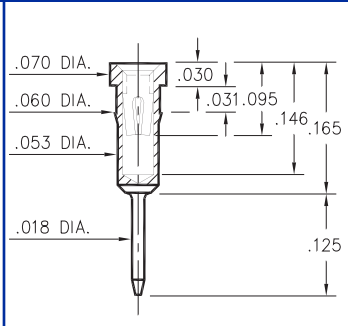


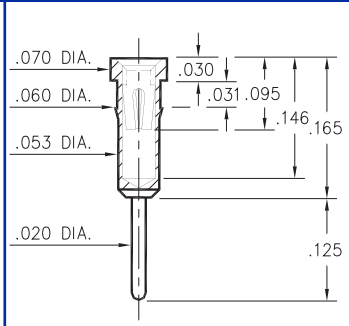
4011 1801 1001 0156



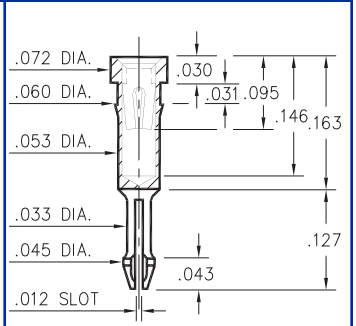
4011-0-15-XX-30-XX-04-0
Press-fit in .057 mounting hole



1801-0-15-XX-30-XX-04-0
Press-fit in .057 mounting hole
Shell is Ph. Br. Alloy 544 (B2)

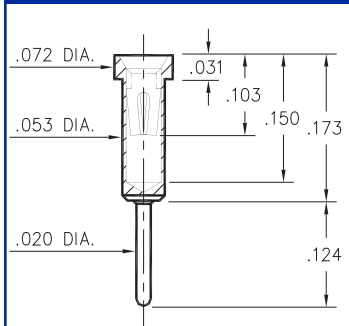


1001-0-15-XX-3X-XX-04-0
Press-fit in .057 mounting hole

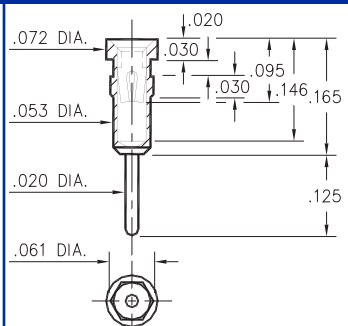


0156-0-18-XX-30-XX-04-0
Self-retention socket pin .038-.043 hole prior to soldering

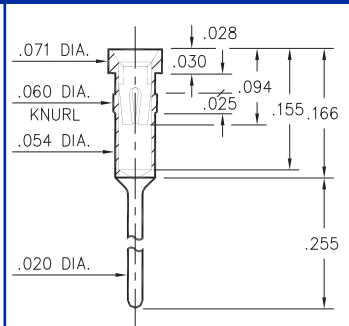
0255 1109 3013 0134



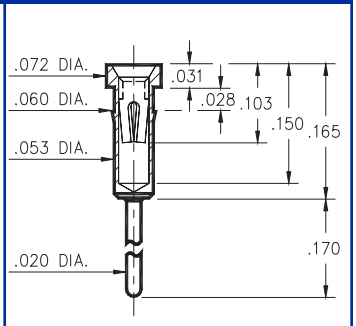
0255-0-15-XX-30-XX-04-0
Solder mount in .022 min. mounting hole



1109-0-15-XX-30-XX-04-0
Hex press-fit in .057 plated thru hole

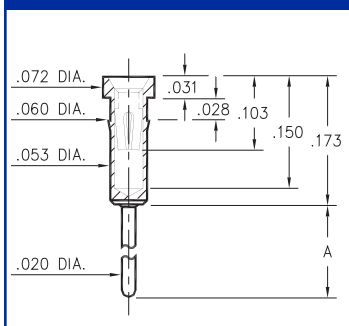


3013-0-15-XX-32-XX-04-0
Press-fit in .057 mounting hole



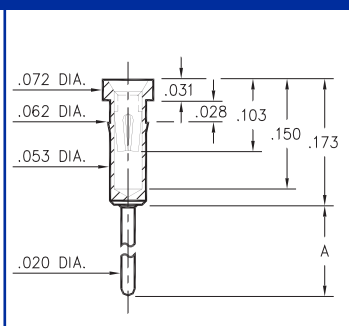
0134-0-15-XX-3X-XX-04-0
Press-fit in .057 mounting hole

0132/0135 0133/0147



013X-0-15-XX-30-XX-04-0
Press-fit in .057 mounting hole

Basic Part Number	Length A
0132-0	.273
0135-0	.183



01XX-0-15-XX-30-XX-04-0
Press-fit in .059 mounting hole

Basic Part Number	Length A
0133-0	.382
0147-0	.563

SPECIFICATIONS

SHELL MATERIAL:
Brass Alloy 360, 1/2 Hard

CONTACT MATERIAL:
Beryllium Copper Alloy 172, HT

DIMENSION IN INCHES
TOLERANCES ON:
LENGTHS: ±.005
DIAMETERS: ±.002
ANGLES: ± 2°

ORDER CODE: XXXX - X - 1X - XX - XX - XX - 04 - 0

BASIC PART #

SPECIFY SHELL FINISH:
01 200µ" TIN/LEAD OVER NICKEL
◇ 80 200µ" TIN OVER NICKEL (RoHS)
◇ 15 10µ" GOLD OVER NICKEL (RoHS)

SPECIFY CONTACT FINISH:
02 100µ" TIN/LEAD OVER NICKEL
◇ 84 100µ" TIN OVER NICKEL (RoHS)
◇ 27 30µ" GOLD OVER NICKEL (RoHS)



SELECT CONTACT
#30 or #32 CONTACT (DATA ON PAGE 219)