

**PLEASE CHECK WWW.MOLEX.COM FOR LATEST PART INFORMATION**

**Part Number:** **5023520200**  
**Status:** **Active**  
**Description:** 2.00mm (.079") Pitch DuraClik™ Wire-to-Board Header, Single Row, Right Angle, 2 Circuits

**Documents:**

[3D Model](#) [Product Specification PS-502351-001 \(PDF\)](#)  
[Drawing \(PDF\)](#) [RoHS Certificate of Compliance \(PDF\)](#)

**General**

Product Family PCB Headers  
 Series [502352](#)  
 Application Wire-to-Board  
 Product Name DuraClik™

**Physical**

Breakaway No  
 Circuits (Loaded) 2  
 Color - Resin Natural  
 Durability (mating cycles max) 30  
 First Mate / Last Break No  
 Glow-Wire Compliant No  
 Keying to Mating Part Yes  
 Lock to Mating Part Yes  
 Mated Height (in) 0.252 In  
 Mated Height (mm) 6.40 mm  
 Material - Metal Copper Alloy  
 Material - Plating Mating Tin  
 Material - Plating Termination Tin  
 Number of Rows 1  
 Orientation Right Angle  
 PCB Locator No  
 PCB Retention Yes  
 Packaging Type Embossed Tape on Reel  
 Pitch - Mating Interface (in) 0.079 In  
 Pitch - Mating Interface (mm) 2.00 mm  
 Polarized to Mating Part Yes  
 Polarized to PCB Yes  
 Stackable No  
 Temperature Range - Operating -40°C to +105°C  
 Termination Interface: Style Surface Mount

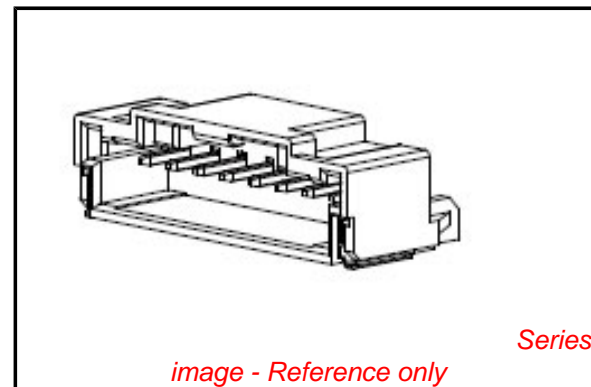
**Electrical**

Current - Maximum per Contact 3A  
 Voltage - Maximum 125V

**Material Info**

**Reference - Drawing Numbers**

Product Specification PS-502351-001, RPS-502351-001  
 Sales Drawing SD-502352-001, SD-502352-002



**EU RoHS**

**ELV and RoHS  
 Compliant**  
**REACH SVHC**  
 Not Reviewed  
**Halogen-Free  
 Status**  
**Not Reviewed**

**China RoHS**



**Need more information on product  
 environmental compliance?**

Email [productcompliance@molex.com](mailto:productcompliance@molex.com)  
 For a multiple part number RoHS Certificate of  
 Compliance, [click here](#)

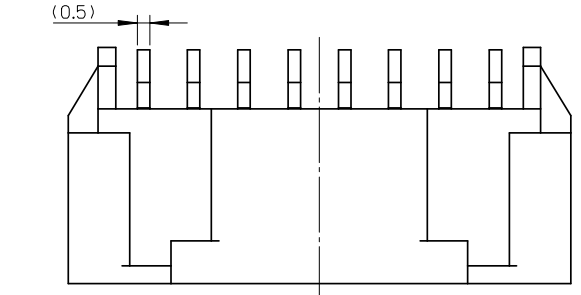
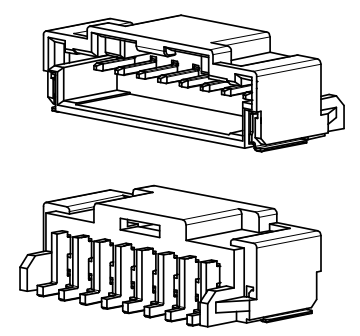
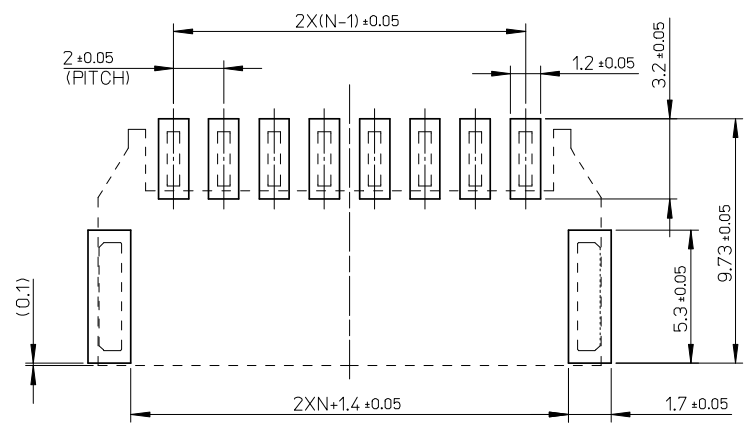
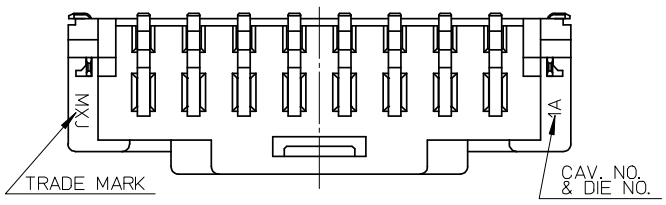
Please visit the [Contact Us](#) section for any  
 non-product compliance questions.

**Search Parts in this Series**

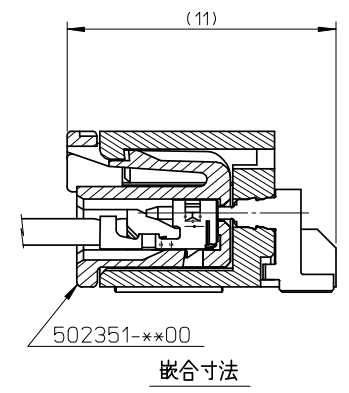
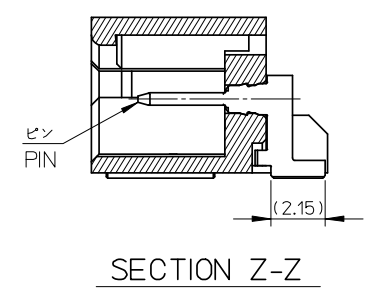
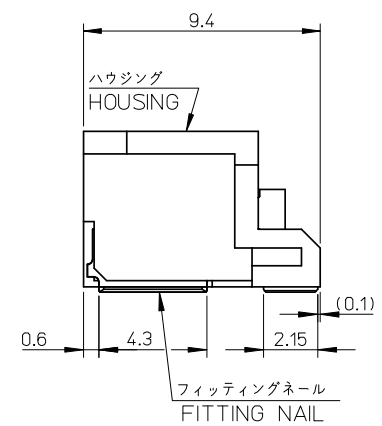
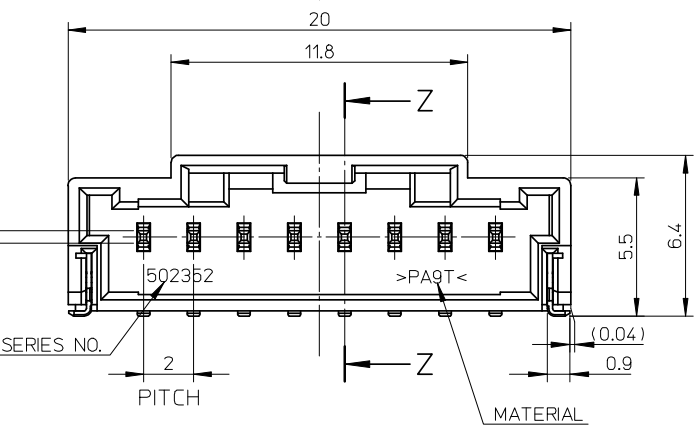
[502352Series](#)

**Mates With**

[502351](#) Crimp Housing. [50212](#) , [50372](#)  
 Crimp Terminal



参考基板取り付け寸法(N=極数)



嵌合寸法

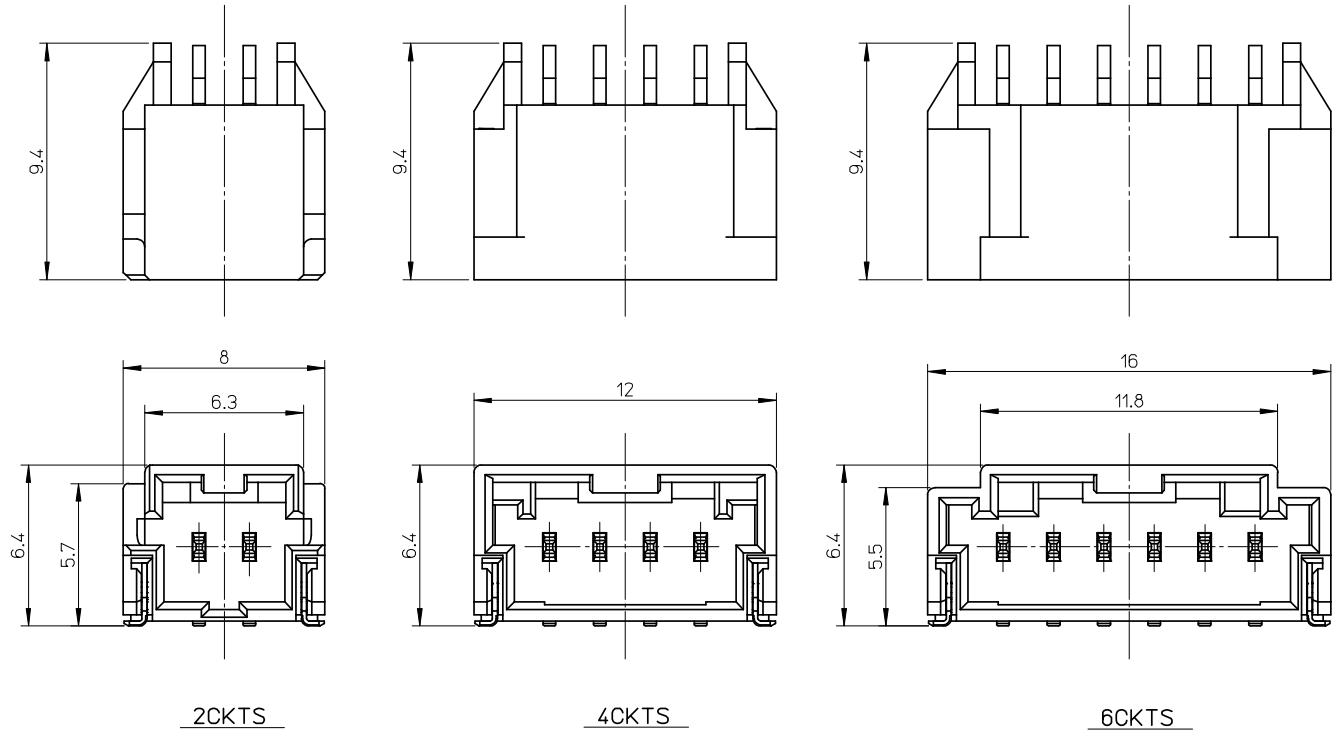
注記 NOTES

- 材質  
ハウジング: 耐熱性ナイロン  
ピン、フィッティングネール: 銅合金、ニッケル下地、錫メッキ  
MATERIAL  
HOUSING: POLYAMIDE  
PIN, FITTING NAIL: COPPER ALLOY, TIN OVER NICKEL PLATE.
- 色: ナチュラル  
COLOR: NATURAL
- 嵌合相手: 502351シリーズ  
MATES WITH 502351 SERIES.
- エンボス梱包品の詳細はSD-502352-002参照  
DETAILED TAPING PACKAGE, SEE SD-502352-002.
- ELV及びRoHS適合  
ELV AND RoHS COMPLIANT

502352-0808	8
502352-0608	6
502352-0408	4
502352-0208	2
MATERIAL NO.	CKTS

RELEASED EC NO.: JTR2008-0007 DRWNSHSHIBATA 2008/01/23 CHKD:HKOMATSU 2008/01/23 APPR:AKANESHIGE 2008/01/23	DESCRIPTION	GENERAL TOLERANCES (UNLESS SPECIFIED)		DIMENSION STYLE MM ONLY		SCALE 5:1	DESIGN UNITS METRIC	THIRD ANGLE PROJECTION		
		10 UNDER	± 0.2	DRAWN BY SHSHIBATA	DATE 2007/12/18	TITLE 2.0MM PITCH W/B CONN. WAFER ASSY R/A SMT				
		10 OVER 30 UNDER	± 0.25	CHECKED BY HKOMATSU	DATE 2007/12/18	MOLEX INCORPORATED SD-502352-001				
		30 OVER	± 0.3	APPROVED BY AKANESHIGE	DATE 2007/12/18					
REV	ANGULAR ±3° DRAFT WHERE APPLICABLE MUST REMAIN WITHIN DIMENSIONS	SEE CHART	MATERIAL NO.	DOCUMENT NO.	SHEET NO. 1 OF 2	THIS DRAWING CONTAINS INFORMATION THAT IS PROPRIETARY TO MOLEX INCORPORATED AND SHOULD NOT BE USED WITHOUT WRITTEN PERMISSION				

10 9 8 7 6 5 4 3 2 1

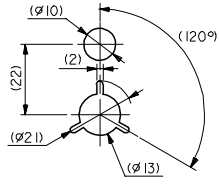


RELEASED EC NO: JTR2008-0007 DRWN: SHSHIBATA 2008/01/23 CHK'D: HKOMATSU 2008/01/23 APPR: AKANESHIGE 2008/01/23	GENERAL TOLERANCES (UNLESS SPECIFIED)		DIMENSION STYLE MM ONLY		SCALE 5:1	DESIGN UNITS METRIC	THIRD ANGLE PROJECTION	
	10 UNDER	±0.2	DRAWN BY SHSHIBATA	DATE 2007/12/18	TITLE 2.0MM PITCH W/B CONN. WAFER ASSY R/A SMT			
	10 OVER 30 UNDER	±0.25	CHECKED BY HKOMATSU	DATE 2007/12/18				
	30 OVER	±0.3	APPROVED BY AKANESHIGE	DATE 2007/12/18	MOLEX INCORPORATED			
	ANGULAR ±3 °		MATERIAL NO.					
DRAFT WHERE APPLICABLE MUST REMAIN WITHIN DIMENSIONS		SEE CHART		SD-502352-001		2 OF 2		

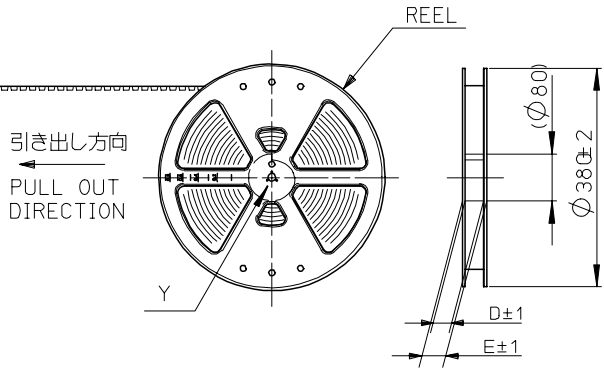
10 9 8 7 6 5 4 3 2 1

F

F



DETAIL Y

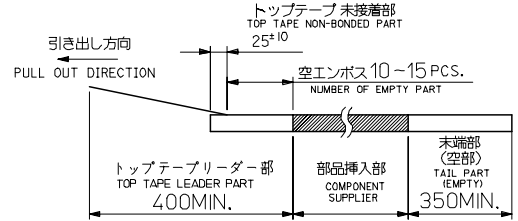
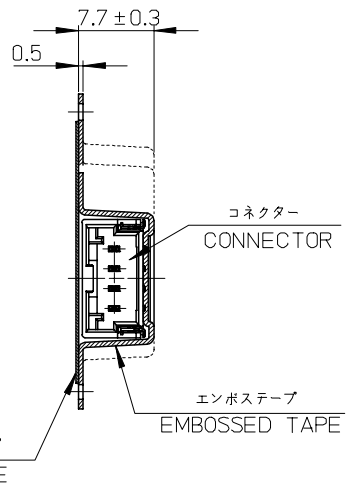
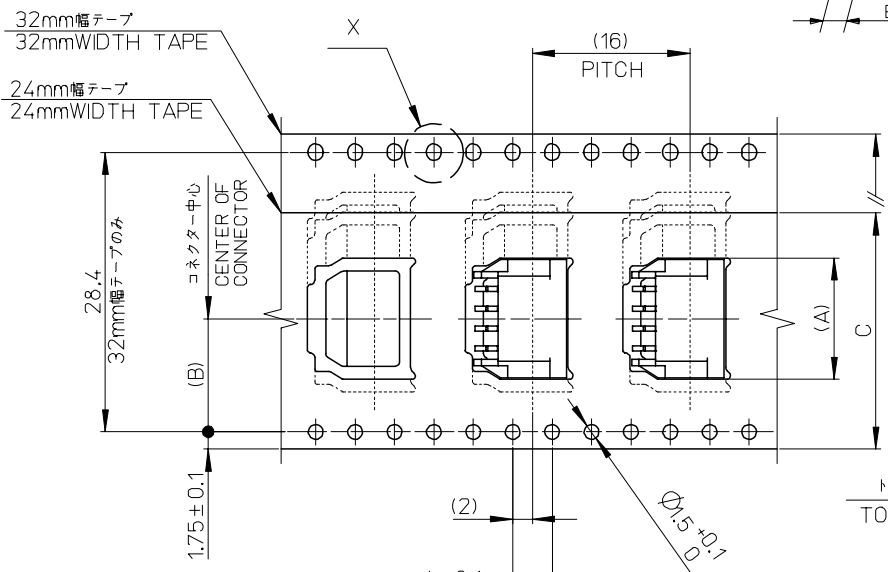


注記  
NOTES

- 製品番号502352-\*\*00 詳細寸法については、製品単体図面を参照下さい。  
PART NO. 502352-\*\*00 . SEE SALES DRAWING FOR CONNECTOR
- 梱包数量： 700個/リール  
NUMBER OF CONNECTORS 700PCS/REEL
- リードテープ長さ  
LEAD TAPE LENGHT

E

E



D

D

4. 材料

MATERIAL  
 キャリアテープ: ポリスチレン  
 CARRIER TAPE: POLYSTYRENE  
 トップテープ: PET, PE, PEF  
 TOP TAPE  
 リール: ポリスチレン  
 REEL: POLYSTYRENE

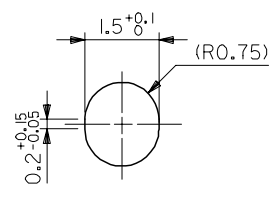
C

C

37.4	33.4	32	14.2	20.3	502352-0808	502352-0800	8
				16.3	502352-0608	502352-0600	6
29.4	25.4	24	11.5	12.3	502352-0408	502352-0400	4
				8.3	502352-0208	502352-0200	2
E	D	C	(B)	(A)	CONNECTOR	エンボス梱包品 製品番号 MATERIAL NO.	極数 CKT.

B

B



DETAIL X  
(SCALE 10:1)

引き出し方向  
PULL OUT DIRECTION

エンボステープ内の製品の向き  
DIRECTION OF CONNECTOR  
IN EMBOSSED TAPE

REVISED EC NO: J2008-0463 DR:WJSHIBATA 2007/09/26 CHKD:HKOMATSU 2007/09/27 APPR:AKANESHIGE 2007/09/27	GENERAL TOLERANCES (UNLESS SPECIFIED)		DIMENSION STYLE MM ONLY		SCALE ---	DESIGN UNITS METRIC	THIRD ANGLE PROJECTION
	10 UNDER	±0.2	DRAWN BY SHSHIBATA	DATE 2007/6/6	TITLE 2.0MM PITCH W/B CONN. WAFER ASSY EMBOSSED TAPE PACKAGE		
	10 OVER 30 UNDER	±0.25	CHECKED BY TAITO	DATE 2007/6/6	MOLEX INCORPORATED		
	30 OVER	±0.3	APPROVED BY AKANESHIGE	DATE 2007/6/6	MATERIAL NO. DOCUMENT NO. SHEET NO.		
	ANGULAR	±1 °	DRAFT WHERE APPLICABLE MUST REMAIN WITHIN DIMENSIONS		SEE CHART		SD-502352-002