

**PLEASE CHECK WWW.MOLEX.COM FOR LATEST PART INFORMATION**

**Part Number:** [0395072004](#)  
**Status:** **Active**  
**Description:** 3.50mm (.138") Pitch Eurostyle™ Vertical Plug, with Retention Screws, Rear Wire Entry, 4 Circuits

**Documents:**

[3D Model](#) [Product Specification PS-39500-001 \(PDF\)](#)  
[Drawing \(PDF\)](#) [RoHS Certificate of Compliance \(PDF\)](#)

**General**

Product Family	Terminal Blocks
Series	<a href="#">39507</a>
Application	Wire-to-Board
Comments	Rear Wire Entry
Component Type	Plug
Product Literature Order No	USA-355
Product Name	ESE, Eurostyle™ Pluggable
Type	Euro Block

**Physical**

Circuits (Loaded)	4
Entry Angle	Horizontal
Lock to Mating Part	Yes
Number of Rows	1
Orientation	Vertical
Panel Mount	No
Pitch - Mating Interface (in)	0.138 In
Pitch - Mating Interface (mm)	3.50 mm
Polarized to Mating Part	Yes
Stackable	No
Temperature Range - Operating	-40°C to +105°C
Wire Size AWG	16, 18, 20, 22, 24
Wire Size mm²	0.20 - 1.31

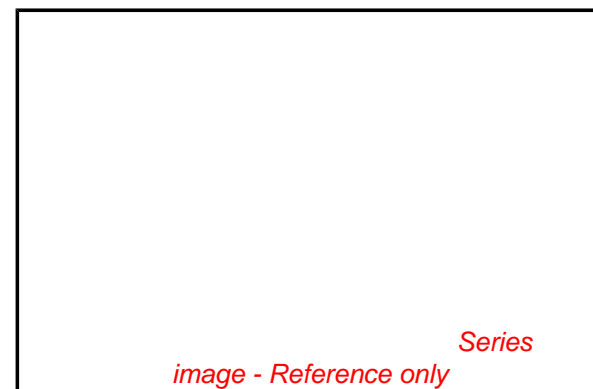
**Electrical**

Current - Maximum per Contact	8A
Voltage - Maximum	300V

**Material Info**

**Reference - Drawing Numbers**

Product Specification	PS-39500-001
Sales Drawing	SD-39507-002



**EU RoHS**

**ELV and RoHS Compliant**  
**REACH SVHC**  
 Not Reviewed  
**Halogen-Free Status**  
 Not Reviewed

**China RoHS**



**Need more information on product environmental compliance?**

Email [productcompliance@molex.com](mailto:productcompliance@molex.com)  
 For a multiple part number RoHS Certificate of Compliance, [click here](#)

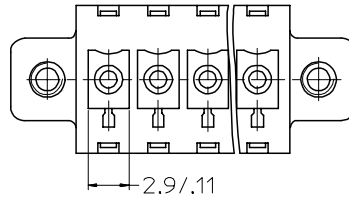
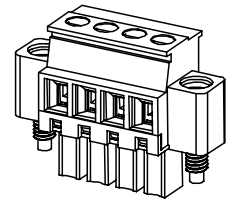
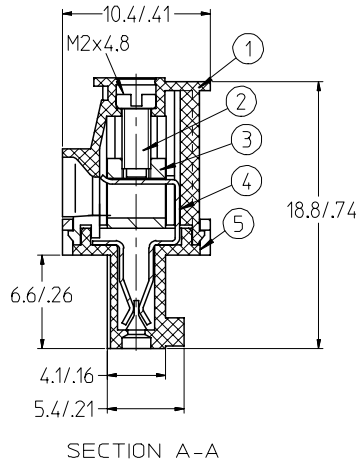
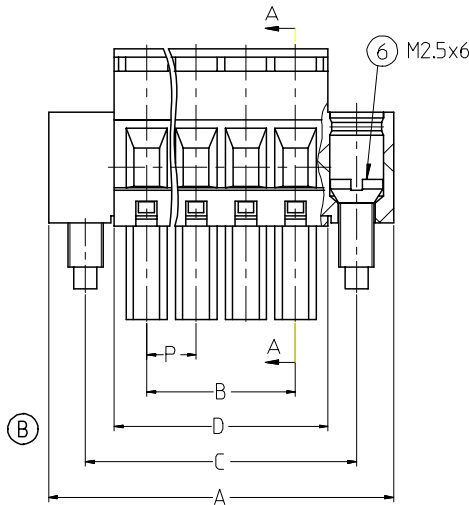
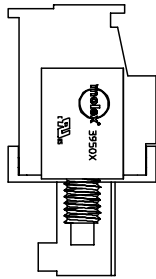
Please visit the [Contact Us](#) section for any non-product compliance questions.

**Search Parts in this Series**

[39507Series](#)

**Mates With**

Most 3.50mm (.138") Pitch Industry Standard PCB Headers, [39505](#) Vertical PCB Header with Threaded Retention Inserts, [39506](#) Horizontal PCB Header with Threaded Retention Inserts



**SPECIFICATIONS:**

1. Material:
- (1). Body: PA66 (UL94,V-0).
  - (2). Screw: Steel
  - (3). Block: Brass
  - (4). Contact: Brass
  - (5). Cover: PA66 (UL94,V-0).
2. Wire range: 16-24 AWG  
 3. Max torque: 2.0 lbf.in.  
 4. Electrical rating: 300V, 8A.  
 5. Wire strip length: 6.5mm.  
 6. Operating temperature: -40 °C to +105 °C.  
 7. Insulation resistance: DC 500V, 500Megohms  
 8. Dielectric withstand: AC 2500V for 1 minute.  
 9. Breakdown voltage: 4000V  
 10. Contact resistance: <10 milliohms  
 11. A = B+13.80  
 12. B = (N-1) X P  
 13. C = B+8.60  
 14. D = B+4.60  
 15. P (PITCH) = 3.50MM (.138 inch)  
 16. N = Number of positions available 2 through 20.  
 17. ALL COMPONENTS ARE ROHS COMPLIANT.

EDIT TITLE EC NO: ETC2007-0459 DRWN: CLYORK 2007/06/21 CHKD: JMAGNEIL 2007/06/22 APPR: JMAGNEIL 2007/06/25	QUALITY SYMBOLS ▽=0 ▽=0	GENERAL TOLERANCES (UNLESS SPECIFIED)		DIMENSION STYLE	SCALE	DESIGN UNITS	THIRD ANGLE PROJECTION
				MM/IN	3:1	INCH	TITLE 3.50MM, EURO PLUG, VERTICAL, REAR WIRE ENTRY, MOUNTING ENDS
		4 PLACES	± ---	±.0015	DRAWN BY	DATE	
		3 PLACES	±0.038	±.005	CHECKED BY	DATE	SHEET NO.
2 PLACES	±0.13	±.01	EHILE	2006/03/20	1 OF 2		
1 PLACE	±0.3	± ---	EHILE	2006/03/20			
DRAFT WHERE APPLICABLE MUST REMAIN WITHIN DIMENSIONS		ANGULAR ± 2 °		APPROVED BY	DATE	THIS DRAWING CONTAINS INFORMATION THAT IS PROPRIETARY TO MOLEX INCORPORATED AND SHOULD NOT BE USED WITHOUT WRITTEN PERMISSION	
				RDEROSS	2006/03/20		
				MATERIAL NO.			
				SEE CHART			

Circuit size	Material Numbers												Dimensional Information <span style="border: 1px solid black; border-radius: 50%; padding: 2px;">B</span>								
	Black						Green														
	100% Tin			30 u" Gold			100% Tin			30 u" Gold			Dim. A		Dim B		Dim C		Dim D		
	Printing Options			Printing Options			Printing Options			Printing Options			mm	inch	mm	inch	mm	inch	mm	inch	
	None	10AV	11AV	None	10AV	11AV	None	10AV	11AV	None	10AV	11AV	None	10AV	11AV	mm	inch	mm	inch	mm	inch
2	395072002	395072302	395072402	395072502	395072802	395072902	395077002	395077302	395077402	395077502	395077802	395077902	17.3	.68	3.5	.14	12.1	.48	8.1	.32	
3	395072003	395072303	395072403	395072503	395072803	395072903	395077003	395077303	395077403	395077503	395077803	395077903	20.8	.82	7.0	.28	15.6	.61	11.6	.46	
4	395072004	395072304	395072404	395072504	395072804	395072904	395077004	395077304	395077404	395077504	395077804	395077904	24.3	.96	10.5	.41	19.1	.75	15.1	.59	
5	395072005	395072305	395072405	395072505	395072805	395072905	395077005	395077305	395077405	395077505	395077805	395077905	27.8	1.09	14.0	.55	22.6	.89	18.6	.73	
6	395072006	395072306	395072406	395072506	395072806	395072906	395077006	395077306	395077406	395077506	395077806	395077906	31.3	1.23	17.5	.69	26.1	1.03	22.1	.87	
7	395072007	395072307	395072407	395072507	395072807	395072907	395077007	395077307	395077407	395077507	395077807	395077907	34.8	1.37	21.0	.83	29.6	1.17	25.6	1.01	
8	395072008	395072308	395072408	395072508	395072808	395072908	395077008	395077308	395077408	395077508	395077808	395077908	38.3	1.51	24.5	.97	33.1	1.30	29.1	1.15	
9	395072009	395072309	395072409	395072509	395072809	395072909	395077009	395077309	395077409	395077509	395077809	395077909	41.8	1.65	28.0	1.10	36.6	1.44	32.6	1.28	
10	395072010	395072310	395072410	395072510	395072810	395072910	395077010	395077310	395077410	395077510	395077810	395077910	45.3	1.78	31.5	1.24	40.1	1.58	36.1	1.42	
11	395072011	395072311	395072411	395072511	395072811	395072911	395077011	395077311	395077411	395077511	395077811	395077911	48.8	1.92	35.0	1.38	43.6	1.72	39.6	1.56	
12	395072012	395072312	395072412	395072512	395072812	395072912	395077012	395077312	395077412	395077512	395077812	395077912	52.3	2.06	38.5	1.52	47.1	1.85	43.1	1.70	
13	395072013	395072313	395072413	395072513	395072813	395072913	395077013	395077313	395077413	395077513	395077813	395077913	55.8	2.20	42.0	1.65	50.6	1.99	46.6	1.83	
14	395072014	395072314	395072414	395072514	395072814	395072914	395077014	395077314	395077414	395077514	395077814	395077914	59.3	2.34	45.5	1.79	54.1	2.13	50.1	1.97	
15	395072015	395072315	395072415	395072515	395072815	395072915	395077015	395077315	395077415	395077515	395077815	395077915	62.8	2.47	49.0	1.93	57.6	2.27	53.6	2.11	
16	395072016	395072316	395072416	395072516	395072816	395072916	395077016	395077316	395077416	395077516	395077816	395077916	66.3	2.61	52.5	2.07	61.1	2.41	57.1	2.25	
17	395072017	395072317	395072417	395072517	395072817	395072917	395077017	395077317	395077417	395077517	395077817	395077917	69.8	2.75	56.0	2.21	64.6	2.54	60.6	2.39	
18	395072018	395072318	395072418	395072518	395072818	395072918	395077018	395077318	395077418	395077518	395077818	395077918	73.3	2.89	59.5	2.34	68.1	2.68	64.1	2.52	
19	395072019	395072319	395072419	395072519	395072819	395072919	395077019	395077319	395077419	395077519	395077819	395077919	76.8	3.02	63.0	2.48	71.6	2.82	67.6	2.66	
20	395072020	395072320	395072420	395072520	395072820	395072920	395077020	395077320	395077420	395077520	395077820	395077920	80.3	3.16	66.5	2.62	75.1	2.96	71.1	2.80	

SEE SHEET ONE EC NO: ETC2007-0459 DRWN: CLYORK 2007/06/21 CHKD: JMACNEIL 2007/06/22 APPR: JMACNEIL 2007/06/25	QUALITY SYMBOLS ▽=0 ▽=0	GENERAL TOLERANCES (UNLESS SPECIFIED)		DIMENSION STYLE		SCALE	DESIGN UNITS	THIRD ANGLE PROJECTION 	
				MM/IN		3:1	INCH		
				DRAWN BY DATE		TITLE			3.50MM, EURO PLUG, VERTICAL, REAR WIRE ENTRY, MOUNTING ENDS
				CHECKED BY DATE		MOLEX INCORPORATED			
		APPROVED BY DATE		MATERIAL NO.		DOCUMENT NO.		SHEET NO.	
		RDEROSS 2006/03/20		SEE CHART		SD-39507-002			2 OF 2
		DRAFT WHERE APPLICABLE MUST REMAIN WITHIN DIMENSIONS		THIS DRAWING CONTAINS INFORMATION THAT IS PROPRIETARY TO MOLEX INCORPORATED AND SHOULD NOT BE USED WITHOUT WRITTEN PERMISSION					