

RoHS Compliant Product

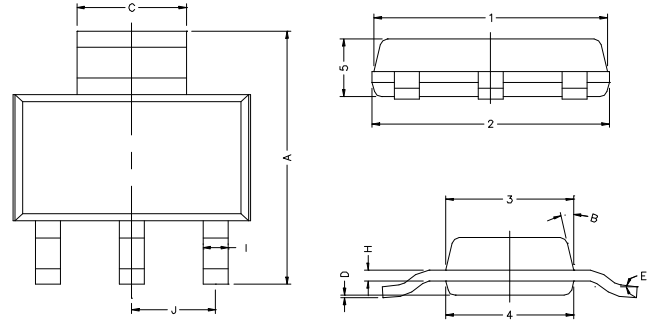
## SOT-223

### Description

The SL2136 positive, linear regulators feature low quiescent current (30µA typ.) with low dropout voltage, making them ideal for battery applications. These rugged devices have both Thermal Shutdown and Current Fold-back to prevent device failure under the "Worst" of operating conditions. The SL2136 is stable with an output capacitance of 2.2µF or greater.

### Features

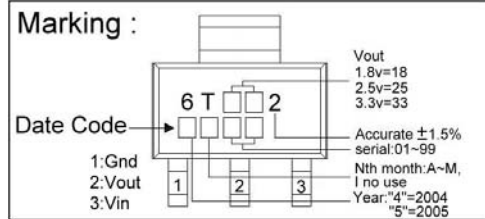
- \* Low Temperature Coefficient
- \* Over-Temperature Shutdown
- \* Very Low Dropout Voltage
- \* High Accurate ±1.5%
- \* Short Circuit Current Fold-back
- \* Guaranteed 600mA output
- \* Current Limiting
- \* Factory Pre-Set Output Voltage



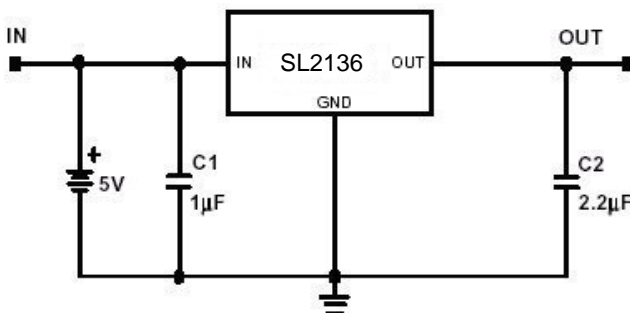
REF.	Millimeter		REF.	Millimeter	
	Min.	Max.		Min.	Max.
A	6.70	7.30	B	13° TYP.	
C	2.90	3.10	J	2.30 REF.	
D	0.02	0.10	1	6.30	6.70
E	0°	10°	2	6.30	6.70
I	0.60	0.80	3	3.30	3.70
H	0.25	0.35	4	3.30	3.70
			5	1.40	1.80

### Applications

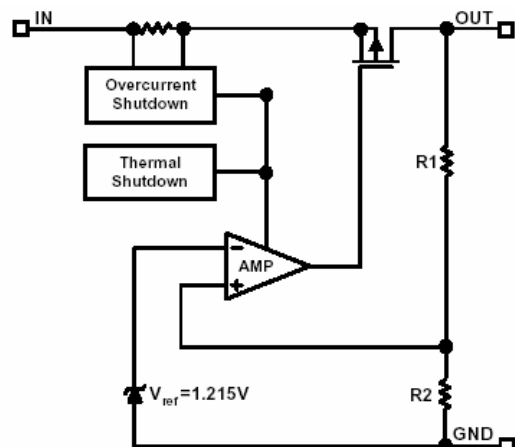
- \* PC Peripherals
- \* Wireless Devices
- \* Portable Electronics
- \* Battery Powered Widgets
- \* Instrumentation
- \* Electronic Scales
- \* Cordless Phones



### Typical Circuit



### Functional Block Diagram



### Absolute Maximum Ratings

Parameter	Symbol	Ratings	Unit
Input Max Voltage	V <sub>IN</sub>	8	V
Output Current	I <sub>OUT</sub>	1	A
Output Voltage	V <sub>OUT</sub>	1.3~3.8	V
Supply Voltage	V <sub>IN</sub>	4.5~5.5	V
Operating Ambient Temperature	T <sub>opr</sub>	-40 ~ +85	°C
Junction Temperature	T <sub>j</sub>	-40 ~ +125	°C
Maximum Junction Temperature	T <sub>j Max</sub>	150	°C
Thermal Resistance	θ <sub>jc</sub>	15	°C/W
	θ <sub>ja</sub>	160	°C/W
Power Dissipation(ΔT=100°C)	PD	625	mW
EDS Classification		B	

### Electrical Characteristics Ta=25°C unless otherwise noted

Parameter	Symbol	Condition	Min	TYP	Max	Unit	
Output Voltage	V <sub>OUT(E)</sub> (Note1)	V <sub>IN</sub> =V <sub>OUT(T)</sub> +1V, I <sub>o</sub> =1mA	-1.5%	V <sub>OUT(T)</sub> (Note2)	1.5%	V	
Output Current	I <sub>o</sub>	V <sub>IN</sub> =V <sub>OUT(T)</sub> +2V, V <sub>OUT</sub> ≥ V <sub>OUT(E)</sub> *0.96	600	-	-	mA	
Current Limit	I <sub>LIM</sub>	V <sub>o</sub> >1.2V	600	800	-	mA	
Load Regulation	REG <sub>LOAD</sub>	V <sub>IN</sub> =V <sub>OUT(T)</sub> +2V, I <sub>o</sub> =1mA to 600mA	-	0.2	1	%	
Dropout Voltage	V <sub>DROPOUT</sub>	I <sub>o</sub> =600mA V <sub>o</sub> =V <sub>OUT(E)</sub> -2%	1.3V ≤ V <sub>OUT(T)</sub> ≤ 1.4V	-	-	1900	mV
			1.4V < V <sub>OUT(T)</sub> ≤ 2.0V	-	-	1400	
			2.0V < V <sub>OUT(T)</sub> ≤ 2.8V	-	-	800	
			2.8V < V <sub>OUT(T)</sub>	-	-	600	
Quiescent Current	I <sub>Q</sub>	V <sub>IN</sub> =V <sub>OUT(T)</sub> +1V, I <sub>o</sub> =0mA	-	30	50	μA	
Line Regulation	REG <sub>LINE</sub>	I <sub>o</sub> =1mA V <sub>IN</sub> =V <sub>OUT</sub> V <sub>OUT(T)</sub> +2	1.3V ≤ V <sub>OUT(T)</sub> ≤ 1.4V	-0.2	-	0.2	%
			1.4V < V <sub>OUT(T)</sub> ≤ 2.0V	-0.15	-	0.15	
			2.0V < V <sub>OUT(T)</sub> < 4.0V	-0.1	0.02	0.1	
			4.0V ≤ V <sub>OUT(T)</sub>	-0.4	0.2	0.4	
Input Voltage	V <sub>IN</sub>		Note3	-	7	V	
Over Temperature Shutdown	OTS		-	150	-	°C	
Over Temperature Hysteresis	OTH		-	30	-	°C	
Output Voltage Temperature Coefficient	TC		-	30	-	ppm/°C	
Short Circuit Current(Note4)	I <sub>SC</sub>	V <sub>IN</sub> =V <sub>OUT(T)</sub> +1V, V <sub>OUT</sub> <0.8V	-	300	600	mA	
Power Supply Rejection	PSRR	I <sub>o</sub> =100mA C <sub>o</sub> =2.2μF	f=100Hz	-	60	-	dB
			f=1kHz	-	50	-	
			f=10kHz	-	20	-	
Output Voltage Noise	e <sub>N</sub>	f=10Hz~100kHz I <sub>o</sub> =10mA, C <sub>BYP</sub> =0μF			30	-	μV <sub>rms</sub>

Note 1: V<sub>OUT(E)</sub> =Effective Output Voltage (i.e. the output voltage when "V<sub>OUT(T)</sub> + 1.0V" is provided at the V<sub>IN</sub> pin while maintaining a certain I<sub>OUT</sub> value).

2: V<sub>OUT(T)</sub> =Specified Output Voltage

3: V<sub>IN(MIN)</sub> =V<sub>OUT</sub>+V<sub>DROPOUT</sub>

4: To prevent the Short Circuit Current protection feature from being prematurely activated, the input voltage must be applied before a current source load is applied.

## Ordering Information(contd.)

Part Number	Marking	Output Voltage	Part Number	Marking	Output Voltage
SL2136-13	6T132 XXXX	1.3V	SL2136-15	6T152 XXXX	1.5V
SL2136-18	6T182 XXXX	1.8V	SL2136-25	6T252 XXXX	2.5V
SL2136-27	6T272 XXXX	2.7V	SL2136-28	6T282 XXXX	2.8V
SL2136-29	6T292 XXXX	2.9V	SL2136-30	6T302 XXXX	3.0V
SL2136-31	6T312 XXXX	3.1V	SL2136-33	6T332 XXXX	3.3V
SL2136-34	6T342 XXXX	3.4V	SL2136-35	6T352 XXXX	3.5V
SL2136-36	6T362 XXXX	3.6V	SL2136-37	6T372 XXXX	3.7V
SL2136-38	6T382 XXXX	3.8V			

## Characteristics Curve

