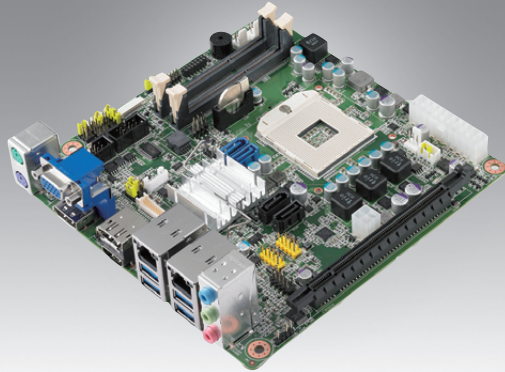


AIMB-273

Intel® Core™ i7/i5/i3/Celeron uFC-PGA988
Mini-ITX with 2 DP/HDMI/LVDS/CRT,
2 COM, Dual LAN, PCIe x16

NEW



iManager susiAccess RoHS COMPLIANT CE FCC

Features

- Supports Intel® Core™ i7/i5/i3 mobile processor (PGA) with Intel QM77 chipset
- Supports triple display of 2 DP, HDMI, LVDS, CRT
- Supports PCIe x16 (Gen 3) and mini PCIe
- Supports Intel vPro, AMT 8.0, PECI 3.0, Software RAID 0,1,5,10, TPM 1.2 (optional)
- Supports iManager, SUSIAccess and Embedded Software APIs

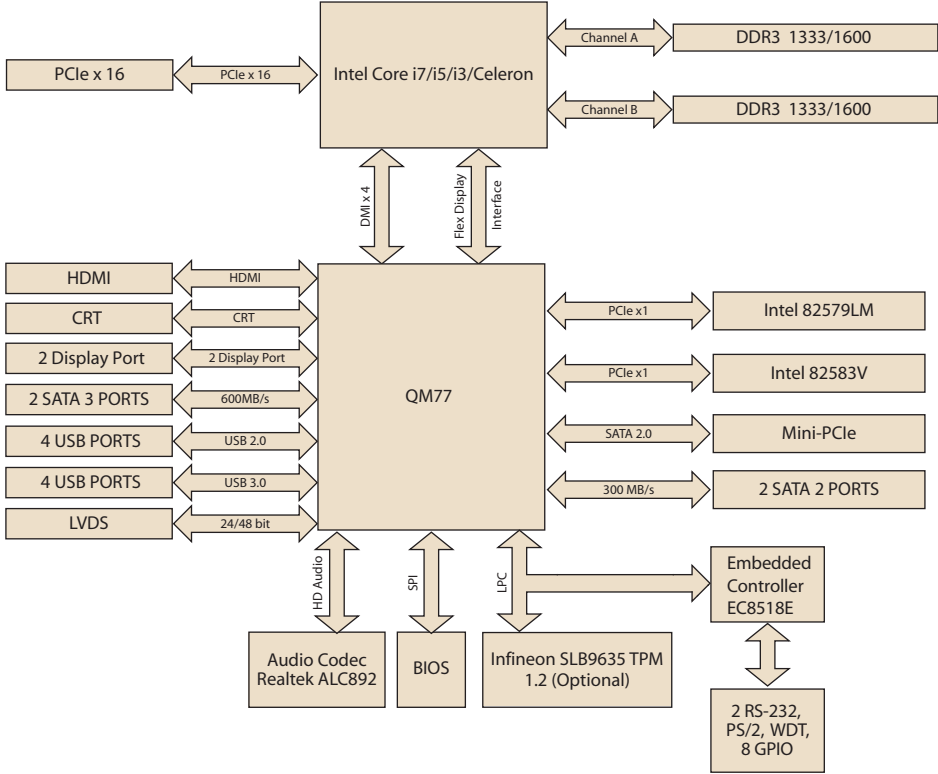
Software APIs: SMBus H/W Monitor Watchdog GPIO Brightness

Utilities: BIOS flash Monitoring

Specifications

	CPU	Intel Core i7-3610QE	Intel Core i7-2710QE	Core i5-3610ME	Core i5-2510E	Core i3-3120ME	Core i3-2330E	Celeron B810		
Processor System	Core Number	4	4	2	2	2	2	2		
	Max Speed	2.3 GHz	2.1 GHz	2.7GHz	2.5 GHz	2.4GHz	2.2 GHz	1.6 GHz		
	L3 Cache	6 MB	6 MB	3MB	3 MB	3MB	3 MB	2 MB		
	Chipset	QM77								
	BIOS	AMI EFI 64 Mbit SPI								
Expansion Slot	PCI	-								
	Mini-PCIe	1								
	PCIe x16 (Gen3)	16 GB/s per direction, 1 slot								
Memory	Technology	Dual Channel DDR3 1333/1600 MHz SDRAM								
	Max. Capacity	8 GB								
	Socket	2 x 204 PIN DDR3 SODIMM								
Graphics	Controller	Integrated Gfx Gen 7, supports DirectX11, OpenGL 3.1 and OpenCL 1.1								
	VRAM	Shared system memory, 2 GB and above, total system memory shared 1 GB maximum video memory								
	CRT	Yes, supports max. resolution 2048 x 1536								
	LVDS	Single channel 24-bit/dual channel 48-bit LVDS, supports max resolution 1920 x 1080								
	HDMI	Supports HDMI 1.4, 1650 Mbps/channel with 165 MHz								
Ethernet	Triple Display	DP+LVDS+HDMI, DP+DP+HDMI, DP+DP+LVDS, DP+CRT+HDMI (The Celeron B810 processor doesn't support triple display)								
	Interface	10/100/1000 Mbps								
Ethernet	Controller	GbE LAN1: Intel 82579LM, LAN2: Intel 82583V								
	Connector	RJ-45 x 2								
SATA	Max Data Transfer Rate	600 MB/s (SATA 3.0)/ 300 MB/s (SATA 2.0)								
	Channel	2/2								
Rear I/O	CRT	1								
	HDMI	1								
	Display Port	2								
	Ethernet	2								
	USB	4 (USB 3.0 compliant)								
	Audio	3 (Mic-in, Line-out, Line-in)								
	Serial	-								
	PS/2	2 (1 x keyboard and 1 x mouse)								
	Internal Connector	USB	4 (USB 2.0 compliant)							
		LVDS/inverter	1							
Serial		2 (RS-232, COM2 with 5 V/12 V)								
IDE		-								
SATA		2 (STA 3.0), 2 (SATA 2.0)								
Mini-PCIe		1								
CFast		1								
Parallel		-								
IrDA		-								
GPIO		8-bit								
Watchdog Timer	Output	System reset								
	Interval	Programmable 1 ~ 255 sec/min								
Power Requirements	Power On	Intel Core i7 -3610QE 2.30GHz processor/DDR3-1333MHz 4G x2/16G SQFlash								
		5 V	3.3 V	12 V		5 Vsb		-12 V		
		3.42 A	1.1 A	1.19 A		0.5 A		0.07A		
Environment		Operating				Non-Operating				
	Temperature	0 ~ 60° C (32 ~ 140° F), depends on CPU speed and cooler solution				-20 ~ 70° C (-4 ~ 158° F)				
Physical Characteristics	Dimensions	170 mm x 170 mm (6.69" x 6.69")								

Block Diagram



Ordering Information

Part Number	Chipset	DP	CRT	LVDS	HDMI	GbE LAN	COM
AIMB-273G2-00A1E	QM77	2	1	1	1	2	2

Optional Accessories

Part Number	Description
1700003195	USB cable with two ports, 17.5 cm
1700002204	USB cable with two ports, 27 cm
1700008461	USB cable with four ports, 30.5 cm

Packing List

Part Number	Description	Quantity
1700003194	SATA HDD cable	2
1703150102	SATA power cable	2
1960051292N001	CPU cooler	1
1960019192T100	I/O port bracket	1
20060273010	Startup manual	1
20660273000	Driver CD	1

Embedded OS/API

OS/API	Description
Win XPE	XPE WES 2009
Software API	SUSI V3.0

I/O View



AIMB-273G2-00A1E