

**PLEASE CHECK WWW.MOLEX.COM FOR LATEST PART INFORMATION**

**Part Number:** [0399700304](#)  
**Status:** **Active**  
**Description:** 10.16mm (.400") Beau™ Eurostyle™ Fixed Mount PCB Terminal Block, High Power 40A, 4 Circuits

**Documents:**

[3D Model](#) [RoHS Certificate of Compliance \(PDF\)](#)  
[Drawing \(PDF\)](#)

**Agency Certification**

UL E48521

**General**

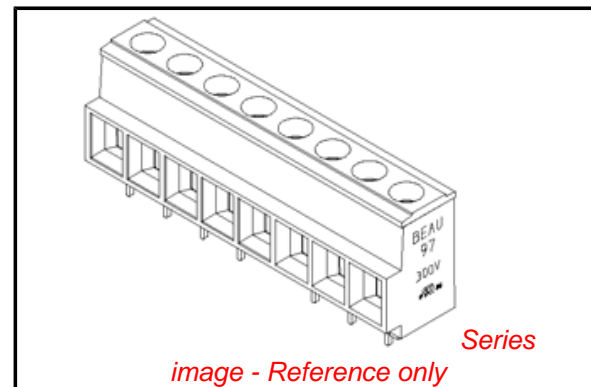
Product Family	Terminal Blocks
Series	<a href="#">39970</a>
Application	Wire-to-Board
Component Type	One Piece
Product Name	Eurostyle™ Fixed Mount
Type	Euro Block

**Physical**

Circuits (Loaded)	4
Circuits (maximum)	4
Color - Resin	Black
Entry Angle	Horizontal
Flammability	94V-0
Lock to Mating Part	None
Material - Metal	Copper
Material - Plating Mating	Tin
Material - Plating Termination	Tin
Material - Resin	Polyester
Number of Rows	1
Orientation	Vertical
PC Tail Length (in)	0.160 In
PC Tail Length (mm)	4.06 mm
PCB Retention	None
Panel Mount	No
Pitch - Mating Interface (in)	0.400 In
Pitch - Mating Interface (mm)	10.16 mm
Pitch - Term. Interface (in)	0.400 In
Pitch - Term. Interface (mm)	10.16 mm
Plating min: Mating (µin)	150
Plating min: Mating (µm)	3.8
Plating min: Termination (µin)	150
Plating min: Termination (µm)	3.8
Polarized to Mating Part	N/A
Shrouded	Fully
Stackable	No
Surface Mount Compatible (SMC)	No
Temperature Range - Operating	130°C
Termination Interface: Style	Through Hole
Wire Size AWG	10, 12, 14, 16, 18, 6, 8
Wire Size mm²	0.75 - 6.0

**Electrical**

Current - Maximum per Contact 40A



**EU RoHS**

**ELV and RoHS  
Compliant**  
**REACH SVHC**  
 Not Reviewed  
**Halogen-Free  
Status**  
 Not Reviewed

**China RoHS**



**Need more information on product  
environmental compliance?**

Email [productcompliance@molex.com](mailto:productcompliance@molex.com)  
 For a multiple part number RoHS Certificate of Compliance, [click here](#)

Please visit the [Contact Us](#) section for any non-product compliance questions.

**Search Parts in this Series**

[39970Series](#)

**Mates With**

N/A

Voltage - Maximum

300V

**Solder Process Data**

Lead-free Process Capability

Wave Capable (TH only)

**Material Info**

Old Part Number

973504

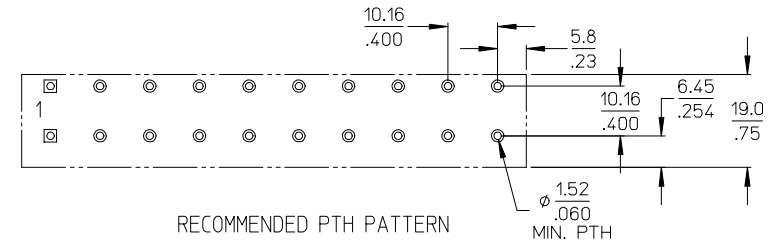
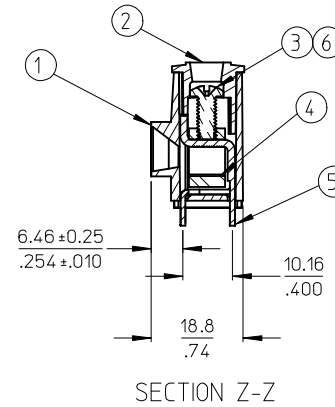
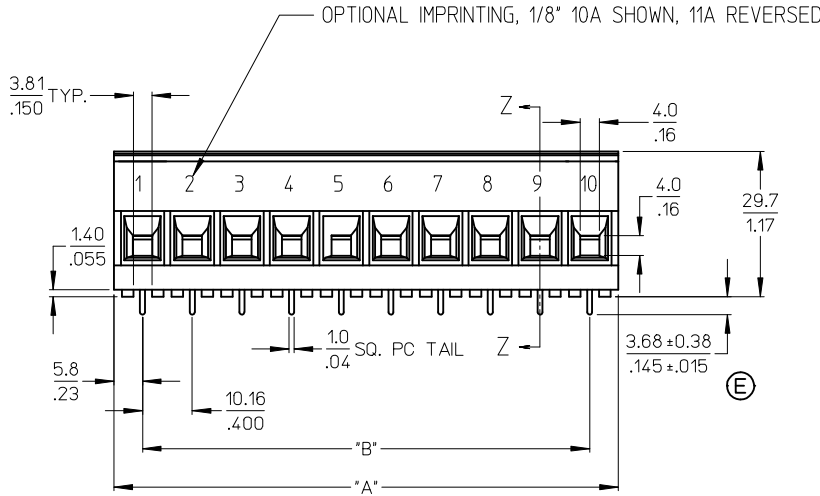
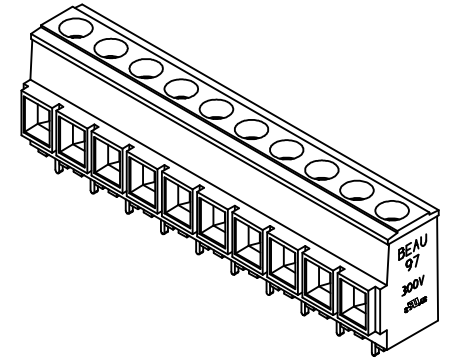
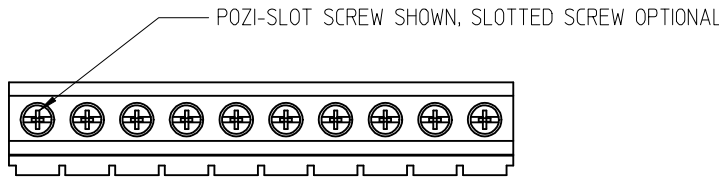
**Reference - Drawing Numbers**

Sales Drawing

SD-39970-004

This document was generated on 04/27/2010

**PLEASE CHECK [WWW.MOLEX.COM](http://WWW.MOLEX.COM) FOR LATEST PART INFORMATION**



- NOTES:
1. MATERIAL: SEE TABLE.
  2. FINISHES: SEE TABLE.
  3. PRODUCT SPECIFICATION: NOT REQUIRED.
  4. ALL FEATURES ARE TYPICAL UNLESS OTHERWISE NOTED.
  5. PART IS DESIGNED TO MEET UL 1059 CLASS C 300V, 40A.
  6. "XX" REFERS TO NUMBER OF CIRCUITS.
  7. ASSEMBLY IS ROHS COMPLIANT.

6	XX	SCREW, M4 X 0.7 SLOTTED	BRONZE	TIN PLATE
5	XX	TERMINAL	COPPER	TIN PLATE
4	XX	CAGE	BRASS	NICKEL PLATE
3	XX	SCREW, M4 X 0.7 POZI-SLOT	BRONZE	TIN PLATE
2	1	COVER	POLYESTER (PBT)	BLACK
1	1	BODY	POLYESTER (PBT)	BLACK
ITEM	QTY.	DESCRIPTION	MATERIAL	FINISH

UPDATE TERM. HEIGHT DIM. EC NO: WNA2009-0445 DRWN: JENC INAS CHKD: CYORK APPR: JIMAGNE II	2009/07/01 2009/07/02 2009/07/02	DESCRIPTION REV	QUALITY SYMBOLS ▽=0 ▽=0	GENERAL TOLERANCES (UNLESS SPECIFIED) mm INCH 4 PLACES ± --- ± --- 3 PLACES ± --- ± .005 2 PLACES ± 0.13 ± .01 1 PLACE ± 0.3 ± --- ANGULAR ± 2°	DIMENSION STYLE MM/IN DRAWN BY DATE R. STONE 2002/09/13 CHECKED BY DATE R. KEMP 2002/09/13 APPROVED BY DATE L. ROTHMAUS 2002/09/27 MATERIAL NO.	SCALE 1:1 DESIGN UNITS INCH THIRD ANGLE PROJECTION	TITLE 10.16MM/.400 SINGLE ROW BTS ASSY, 8 AWG, 300V 40A	MOLEX INCORPORATED DOCUMENT NO. SD-39970-004	SHEET NO. 1 OF 2
			DRAFT WHERE APPLICABLE MUST REMAIN WITHIN DIMENSIONS	SEE CHART SIZE B	THIS DRAWING CONTAINS INFORMATION THAT IS PROPRIETARY TO MOLEX INCORPORATED AND SHOULD NOT BE USED WITHOUT WRITTEN PERMISSION				

STD MATERIAL NUMBER	OPTIONAL 10A IMPRINT	OPTIONAL 11A IMPRINT	OPTIONAL SLOTTED SCREW	OPTIONAL SLOTTED SCREW W/10A IMPRINT	OPTIONAL SLOTTED SCREW W/11A IMPRINT	NUMBER OF CIRCUITS	"A" DIM.	"B" DIM.
399700302	399720302	399730302	399700502	399720502	399730502	2	21.84 [.86]	10.16 [.400]
399700303	399720303	399730303	399700503	399720503	399730503	3	32.00 [1.26]	20.32 [.800]
399700304	399720304	399730304	399700504	399720504	399730504	4	42.16 [1.66]	30.48 [1.200]
399700305	399720305	399730305	399700505	399720505	399730505	5	52.32 [2.06]	40.64 [1.600]
399700306	399720306	399730306	399700506	399720506	399730506	6	62.48 [2.46]	50.80 [2.000]
399700307	399720307	399730307	399700507	399720507	399730507	7	72.64 [2.86]	60.96 [2.400]
399700308	399720308	399730308	399700508	399720508	399730508	8	82.80 [3.26]	71.12 [2.800]
399700309	399720309	399730309	399700509	399720509	399730509	9	92.96 [3.66]	81.28 [3.200]
399700310	399720310	399730310	399700510	399720510	399730510	10	103.12 [4.06]	91.44 [3.600]
399700311	399720311	399730311	399700511	399720511	399730511	11	113.28 [4.46]	101.60 [4.000]
399700312	399720312	399730312	399700512	399720512	399730512	12	123.44 [4.86]	111.76 [4.400]
399700313	399720313	399730313	399700513	399720513	399730513	13	133.60 [5.26]	121.92 [4.800]
399700314	399720314	399730314	399700514	399720514	399730514	14	143.76 [5.66]	132.08 [5.200]

SEE SHEET ONE EC NO: WNA2009-0445 DRAWN: JENC INAS 2009/07/01 CHKD: CYORK 2009/07/02 APPR: JMACNE IL 2009/07/02	QUALITY SYMBOLS ▽=0 ▽=0	GENERAL TOLERANCES (UNLESS SPECIFIED)		DIMENSION STYLE MM/IN		SCALE 1:1	DESIGN UNITS INCH	THIRD ANGLE PROJECTION		
		4 PLACES ± --- INCH	3 PLACES ± --- INCH	2 PLACES ± 0.13 INCH	1 PLACE ± 0.3 INCH	DRAWN BY DATE GHR 2000/02/09	CHECKED BY DATE R. KEMP 2000/06/05		TITLE 10.16MM/.400 SINGLE ROW BTS ASSY, 8 AWG, 300V 40A	
		ANGULAR ± 2 °				APPROVED BY DATE L. ROTHMAUS 2000/02/09	MOLEX INCORPORATED			
		DRAFT WHERE APPLICABLE MUST REMAIN WITHIN DIMENSIONS				MATERIAL NO. SEE CHART	DOCUMENT NO. SD-39970-004		SHEET NO. 2 OF 2	