

Legacy NMA2411-A1T 10 MHz to 1500 MHz



Specifications

RF Frequency	10 MHz to 1500 MHz
Noise Output	82.2 dB Min ENR
Noise Spectral Density (N_o)	-91.8 dBm/Hz Min
Noise Power (N)	0 dBm min
Flatness	2 dB P-P Max
Peak Factor	5:1
Bias Voltage	15 V
Supply Current	350 mA Max
Impedance	50 ohms

Package and Connectivity

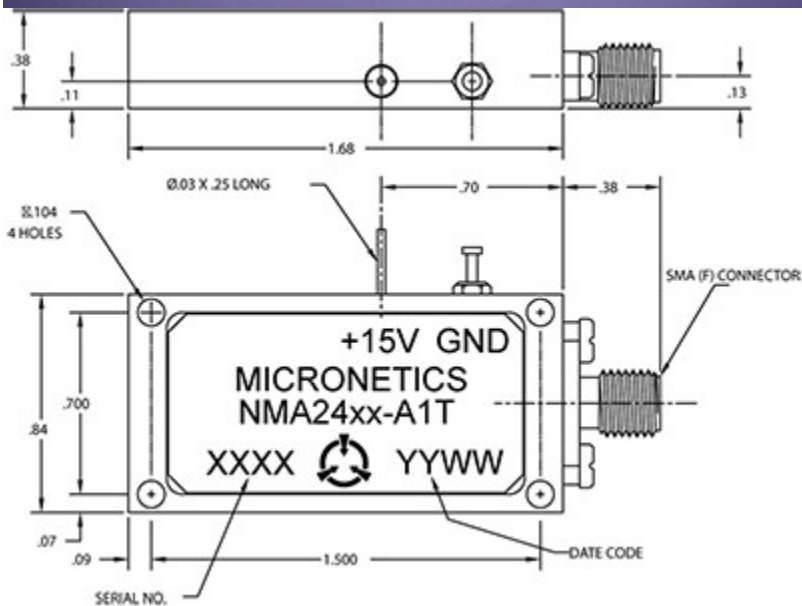
Construction	Coaxial
Package Type	T Package
Connector Type	SMA(f)

Environmental

Operating Temperature	-30 to 85 °C
Storage Temperature	-65 to 125 °C

Notes

Option Standard No TTL



Specifications subject to change without notice

Micronetics, Inc. | Hudson, NH | Tel: 1-603-883-2900 | www.Micronetics.com

MICRONETICS

