

PLEASE CHECK WWW.MOLEX.COM FOR LATEST PART INFORMATION

Part Number: [0685130310](#)
Status: **Active**
Description: 1.52mm (.060") Pitch, Female Housing Assembly, 3 Circuits

Documents:

[Packaging Specification \(PDF\)](#) [Product Specification PS-68512-001 \(PDF\)](#)
[Drawing \(PDF\)](#) [RoHS Certificate of Compliance \(PDF\)](#)

General

Product Family Crimp Housings
Series 68513
Product Name N/A

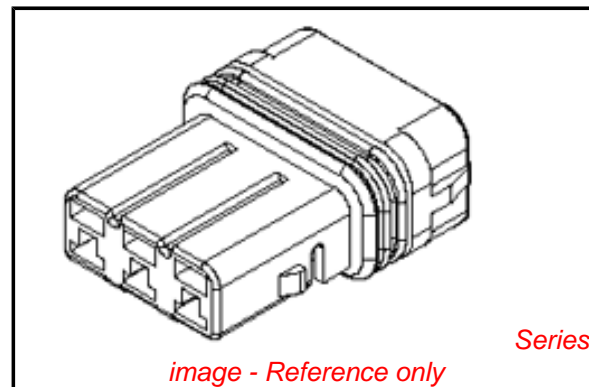
Physical

Circuits (maximum) 3
Color - Resin Natural
Gender Female
Glow-Wire Compliant No
Keying to Mating Part N/A
Lock to Mating Part None
Material - Resin Polyester
Number of Rows 1
Packaging Type Bag
Panel Mount No
Pitch - Mating Interface (in) 0.157 In
Pitch - Mating Interface (mm) 4.00 mm
Pitch - Term. Interface (in) 0.157 In
Pitch - Term. Interface (mm) 4.00 mm
Polarized to Mating Part Yes
Ports 1
Stackable No
Temperature Range - Operating -40°C to +80°C

Material Info

Reference - Drawing Numbers

Product Specification PS-68512-001
Sales Drawing SD-68513-002



EU RoHS

**ELV and RoHS
Compliant**
REACH SVHC
Not Reviewed
**Halogen-Free
Status**
Not Reviewed

China RoHS



**Need more information on product
environmental compliance?**

Email productcompliance@molex.com
For a multiple part number RoHS Certificate of
Compliance, [click here](#)

Please visit the [Contact Us](#) section for any
non-product compliance questions.

Search Parts in this Series
68513Series

DO NOT SCALE DRAWING DIMENSION IN METRIC

DWG. NO. SD-68513-002

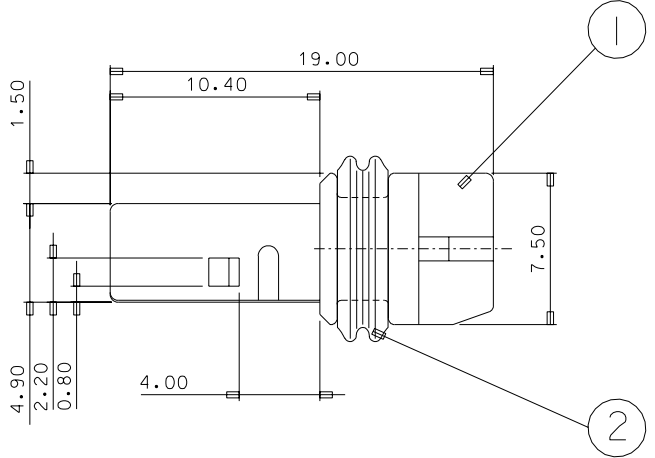
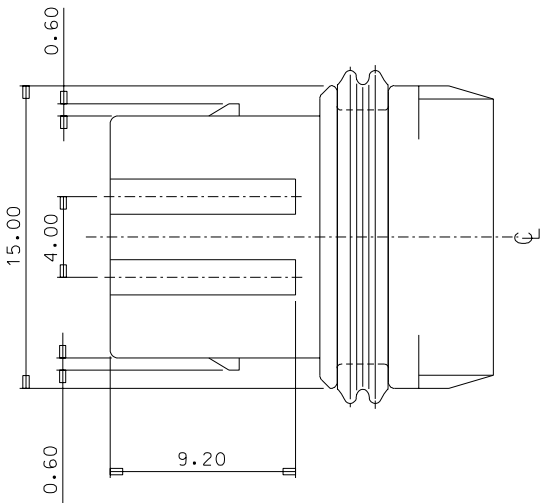
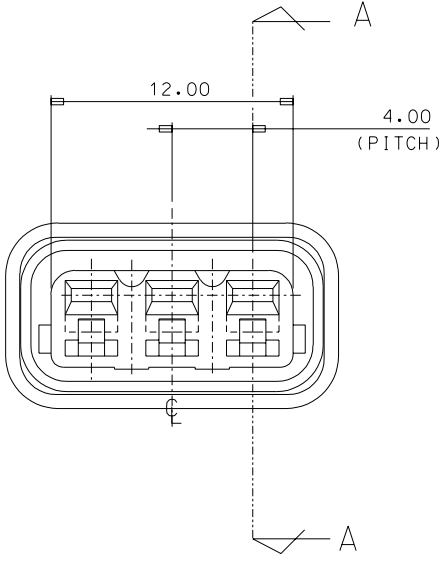
SIMILAR ITEM

PROJECT NO.

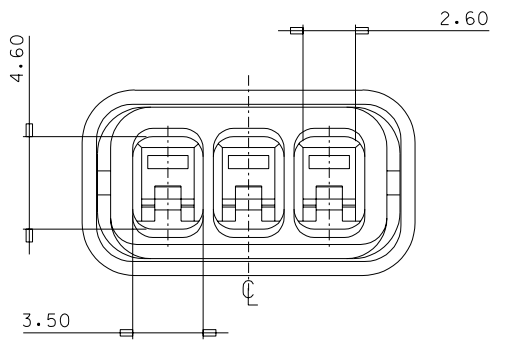
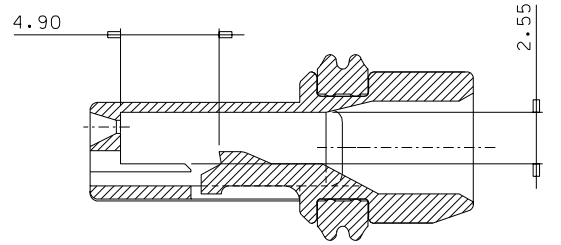
C

B

NO.	P/NAME	P/NO.	Q'TY	MATERIAL
1	FEMALE HS'G 3P	68513-0390	1	POLYESTER
2	FRONT SEAL 3P	35903-0113	1	OIL SILICONE



SECTION A-A



685130310	68513-0310
MATERIAL NO.	ENG. NO.

RELEASE TO MANUFACTURING EC NO.: DRWN: H.C.RHO 02.05.20 CHK: H.C.RHO 02.05.20 APPR: C.W.LEE	QUALITY SYMBOLS MAJOR CRITICAL	GENERAL TOLERANCES: (UNLESS SPECIFIED)		SCALE 4:1	DESIGN UNITS <input checked="" type="checkbox"/> mm <input type="checkbox"/> INCH	THIRD ANGLE PROJECTION	DIMENSIONS: <input type="checkbox"/> mm <input type="checkbox"/> INCH <input checked="" type="checkbox"/> mm ONLY	SHT REV
		4 PLACES ±. ±.	DRAWN BY & DATE '01.10.23 H.C.RHO	TITLE: .060 FEMALE HOUSING ASS'Y 3P				
		3 PLACES ±0. ±.	CHECKED BY & DATE '01.10.23 B.K.CHOI					
		2 PLACES ±0.3 ±.	APPROVED BY & DATE '01.10.23 C.W.LEE	MOLEX INCORPORATED KOREA				
1 PLACE ±0. ±.	CAD FILENAME S060H3P	MATERIAL NO. SEE NOTE	DRAWING NO. SD-68513-002	SHEET NO. 1 OF 1				
DRAFT WHERE APPLICABLE MUST REMAIN WITHIN DIMENSIONS	THIS DRAWING CONTAINS INFORMATION THAT IS PROPRIETARY TO MOLEX INCORPORATED AND SHOULD NOT BE USED WITHOUT WRITTEN PERMISSION.			SIZE B				