

PLEASE CHECK WWW.MOLEX.COM FOR LATEST PART INFORMATION

Part Number: [0945447008](#)
Status: **Active**
Description: Housing Dual Row, with Lock 8 circuits

Documents:

[Drawing \(PDF\)](#) [RoHS Certificate of Compliance \(PDF\)](#)
[Product Specification PS-94518-006 \(PDF\)](#)

General

Product Family Crimp Housings
 Series [94544](#)
 Product Name N/A

Physical

Breakaway No
 Circuits (maximum) 8
 Color - Resin Natural (White)
 Gender Female
 Glow-Wire Compliant No
 Material - Resin Nylon
 Number of Rows 2
 Packaging Type Bag
 Panel Mount No
 Pitch - Mating Interface (in) 0.197 In
 Pitch - Mating Interface (mm) 5.00 mm
 Pitch - Term. Interface (in) 0.197 In
 Pitch - Term. Interface (mm) 5.00 mm
 Polarized to Mating Part Yes
 Ports 1
 Stackable No
 Temperature Range - Operating -40°C to +105°C

Material Info

Reference - Drawing Numbers

Product Specification PS-94518-006
 Sales Drawing SD-94544-001

EU RoHS

**ELV and RoHS
 Compliant**
**REACH SVHC
 Contains SVHC: No**
**Halogen-Free
 Status**

China RoHS



Not Reviewed

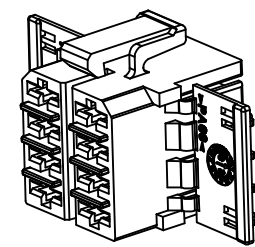
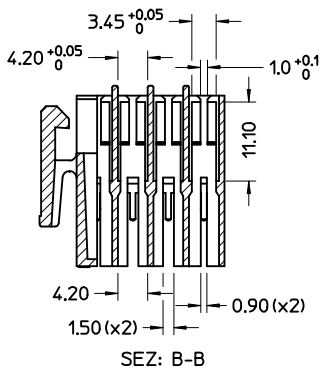
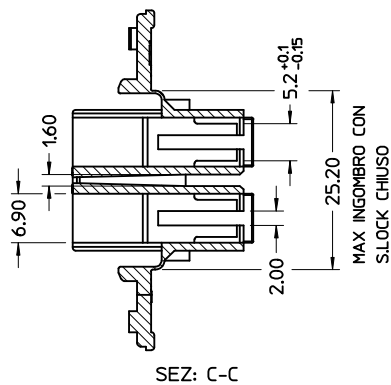
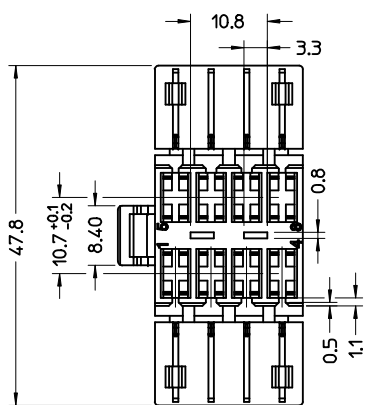
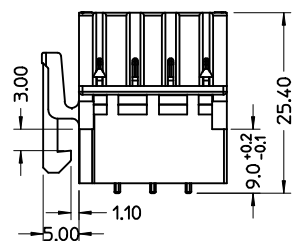
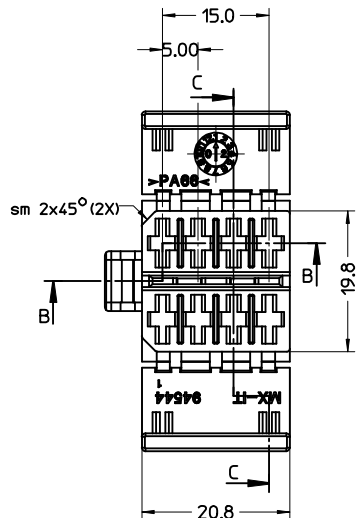
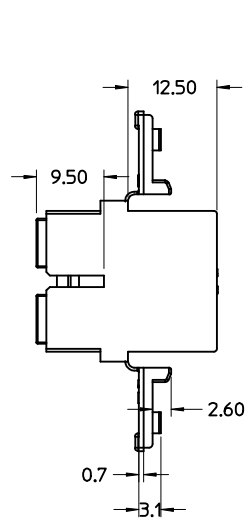
**Need more information on product
 environmental compliance?**

Email productcompliance@molex.com
 For a multiple part number RoHS Certificate of
 Compliance, [click here](#)

Please visit the [Contact Us](#) section for any
 non-product compliance questions.

Search Parts in this Series

[94544Series](#)



P/N	MATERIAL	FLAMMABILITY RATING TEST METHOD IEC 60695-2-11
94544-7008	PA 6.6 NATURAL	IEC 60335 - 1 REV. 4 GWT 750 °C

IMBALLO: BOX CON SACCHETTO DI NYLON
PACKAGING: BOX WITH PLASTIC BAG

Std.Descr.: HOUSING DUAL ROW WITH LOCK 8 CKT*

S.P.Q.: 800 pz.

IEC NO: Z2009-0066 DRWN: L.SANTES2008/12/02 CHKD: L.SANTES2008/12/05 APPR: GZUIN 2008/12/05	DESCRIPTION REV B2	QUALITY SYMBOLS ▽ - 0 ▽ - 0	GENERAL TOLERANCES (UNLESS SPECIFIED) mm INCH 4 PLACES ± --- ± --- 3 PLACES ± --- ± --- 2 PLACES ± 0.10 ± --- 1 PLACE ± 0.2 ± --- ANGULAR ± 2 ° DRAFT WHERE APPLICABLE MUST REMAIN WITHIN DIMENSIONS	SCALE 2:1 DIMENSION STYLE MM ONLY DRAWN BY DATE FGOTTARD 2001-12-20 CHECKED BY DATE MTESTAGU 2001-12-20 APPROVED BY DATE GZUIN 2001-12-20	DESIGN UNITS METRIC FIRST ANGLE PROJECTION REVISE ON CAD ONLY TITLE HOUSING 8 CKT DOPPIA FILA CON S.LOCK E AGGANCIO MOLEX INCORPORATED MATERIAL NO. 94544-7008 DOCUMENT NO. SD-94544-001 SHEET NO. 1 OF 1
		THIS DRAWING CONTAINS INFORMATION THAT IS PROPRIETARY TO MOLEX INCORPORATED AND SHOULD NOT BE USED WITHOUT WRITTEN PERMISSION			A2