



Frontier Electronics Corp.

667 E. COCHRAN STREET, SIMI VALLEY, CA 93065

TEL: (805) 522-9998 FAX: (805) 522-9989

E-mail: frontiersales@frontierusa.com

Web: <http://www.frontierusa.com>

16A SILICON SINGLE-PHASE BRIDGE RECTIFIERS

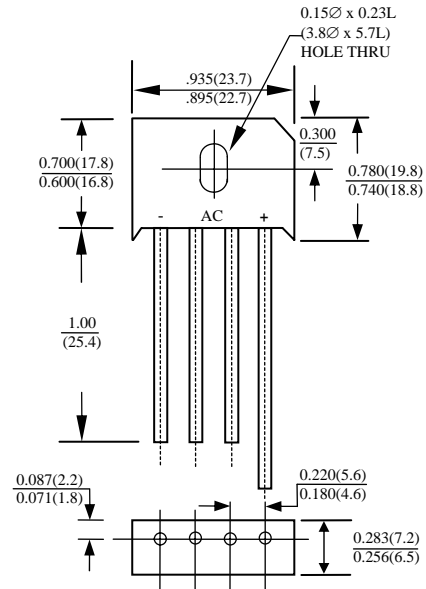
BU16-005 THRU BU16-10

FEATURES

- PLASTIC MATERIAL HAS UNDERWRITERS LABORATORY FLAMMABILITY CLASSIFICATION 94V-0
- IDEAL FOR PRINTED CIRCUIT BOARD
- HIGH TEMPERATURE SOLDERING GUARANTEED: 260°C /10 S 0.375:(9.5mm) LEAD LENGTH AT 5 LBS (2.3KG) TENSION

MECHANICAL DATA

- CASE: MOLDED PLASTIC DIMENSIONS IN INCHES AND (MILLIMETERS)
- TERMINALS: LEADS SOLDERABLE PER MIL-STD-202, METHOD 208
- MOUNTING POSITION: ANY
- MOUNTING TORQUE: 5 IN-LB MAX
- WEIGHT: 8.0 GRAMS



MAXIMUM RATINGS AND ELECTRICAL CHARACTERISTICS RATINGS AT 25°C AMBIENT TEMPERATURE UNLESS OTHERWISE SPECIFIED SINGLE PHASE, HALF WAVE, 60 HZ, RESISTIVE OR INDUCTIVE LOAD. FOR CAPACITIVE LOAD, DERATE CURRENT BY 20%

RATINGS	SYMBOL	BU16-005	BU16-01	BU16-02	BU16-04	BU16-06	BU16-08	BU16-10	UNITS
MAXIMUM RECURRENT PEAK REVERSE VOLTAGE	V_{RRM}	50	100	200	400	600	800	1000	V
MAXIMUM RMS VOLTAGE	V_{RMS}	35	70	140	280	420	560	700	V
MAXIMUM DC BLOCKING VOLTAGE	V_{DC}	50	100	200	400	600	800	1000	V
MAXIMUM AVERAGE FORWARD RECTIFIED OUTPUT CURRENT (SEE FIG.1)	I_O	16.0							A
PEAK FORWARD SURGE CURRENT SINGLE SINE-WAVE SUPERIMPOSED ON RATED LOAD	I_{FSM}	400							A
STORAGE TEMPERATURE RANGE	T_{STG}	- 55 TO + 150							°C
OPERATING TEMPERATURE RANGE	T_{OP}	- 55 TO + 150							°C

ELECTRICAL CHARACTERISTICS (A_T T_A =25°C UNLESS OTHERWISE NOTED)

CHARACTERISTICS	SYMBOL	BU16-005	BU16-01	BU16-02	BU16-04	BU16-06	BU16-08	BU16-10	UNITS
MAXIMUM INSTANTANEOUS FORWARD VOLTAGE DROP PER ELEMENT AT I_{FM}	V_F	1.0							V
MAXIMUM REVERSE LEAKAGE AT RATED DC BLOCKING VOLTAGE PER ELEMENT TA=25°C, TC=100°C	I_R	10							µA

RATINGS AND CHARACTERISTIC CURVES BU16-005 THRU BU16-10

FIG. 1 - DERATING CURVE OUTPUT RECTIFIED CURRENT

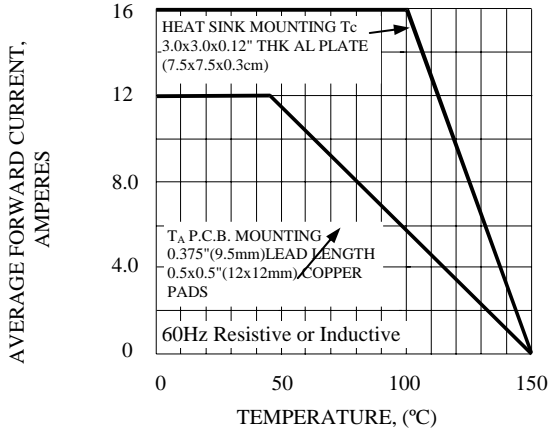


FIG. 2 - MAXIMUM NON-REPETITIVE PEAK FORWARD SURGE CURRENT

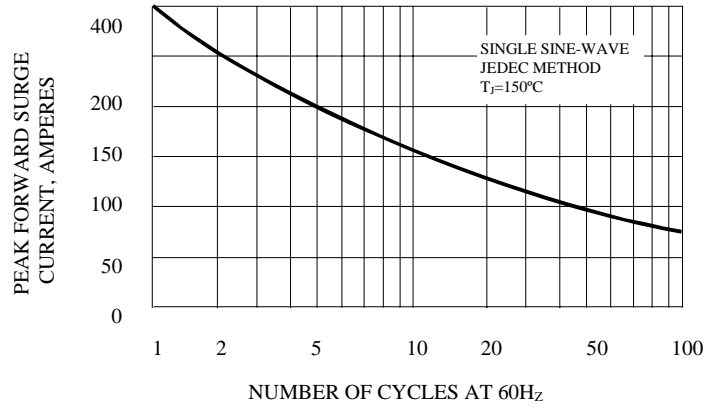


FIG. 3 - TYPICAL JUNCTION CAPACITANCE PER ELEMENT

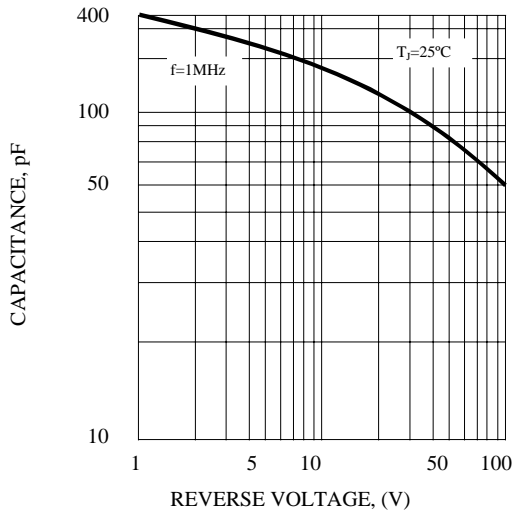


FIG. 4 - TYPICAL REVERSE CHARACTERISTICS

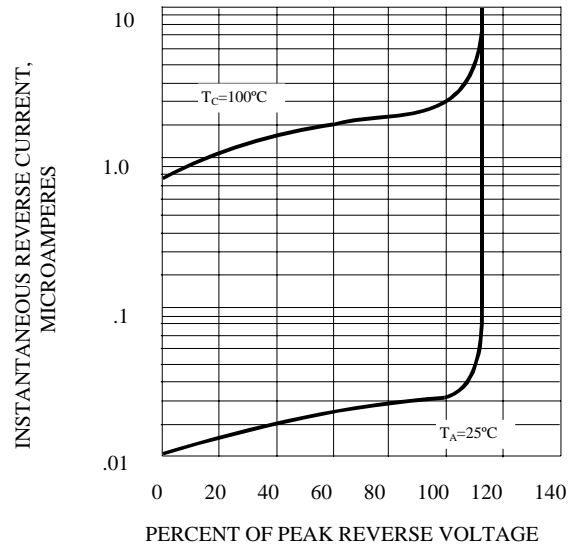


FIG. 5 - TYPICAL INSTANTANEOUS FORWARD CHARACTERISTICS PER ELEMENT

