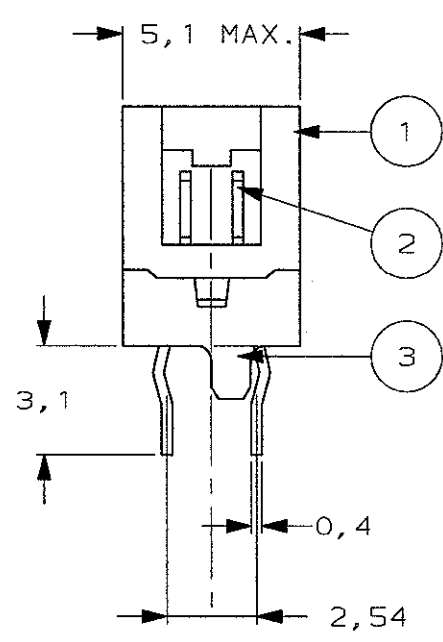
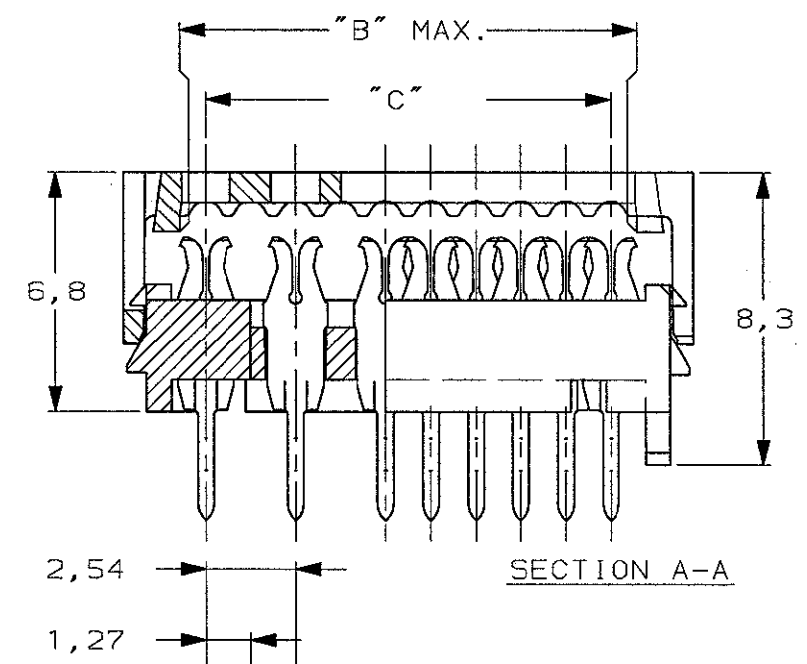
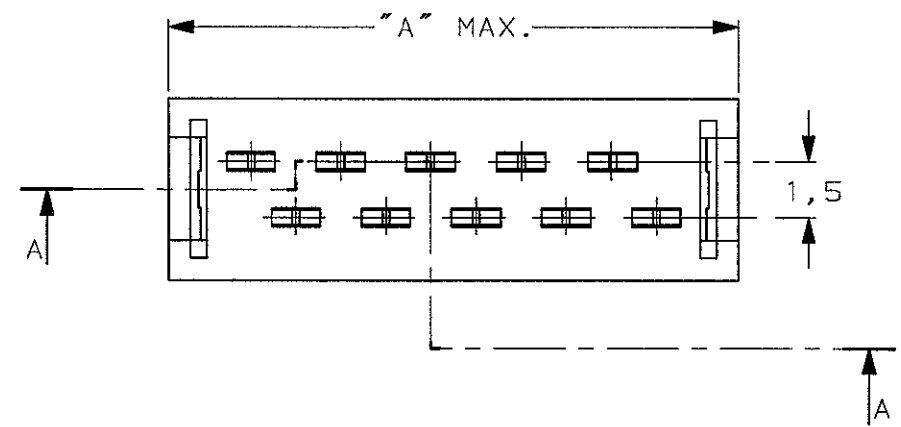


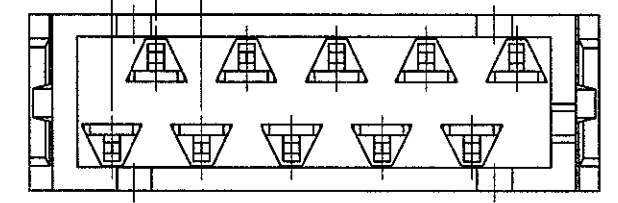
DO NOT SCALE  
DIMENSIONS IN mm

METRIC

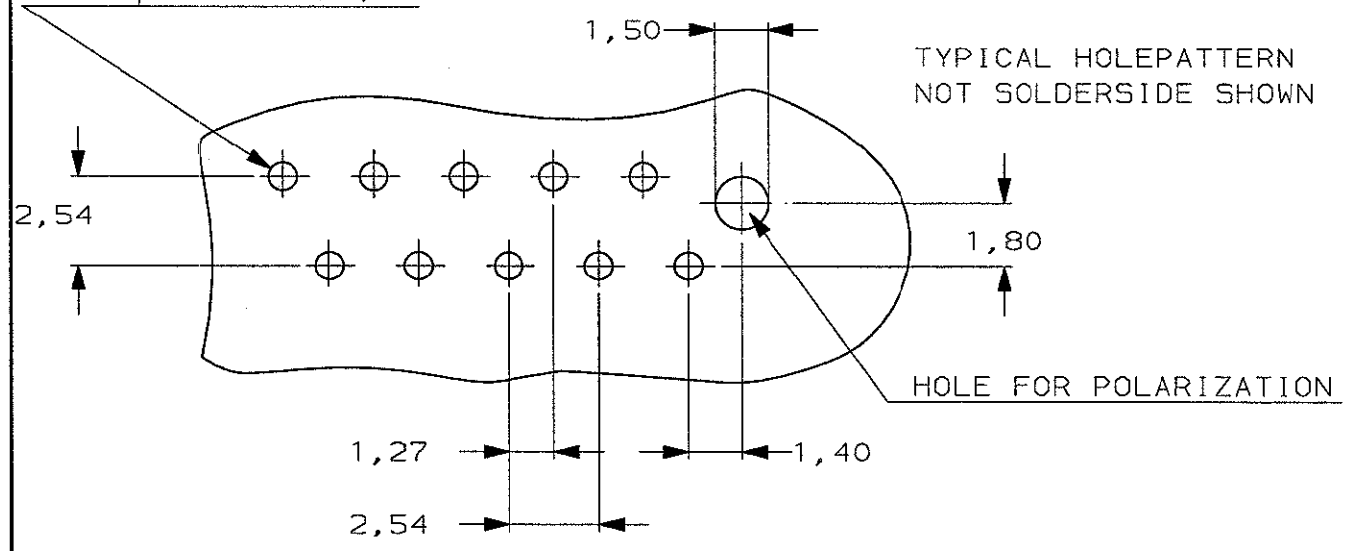
THIRD ANGLE  
PROJECTION



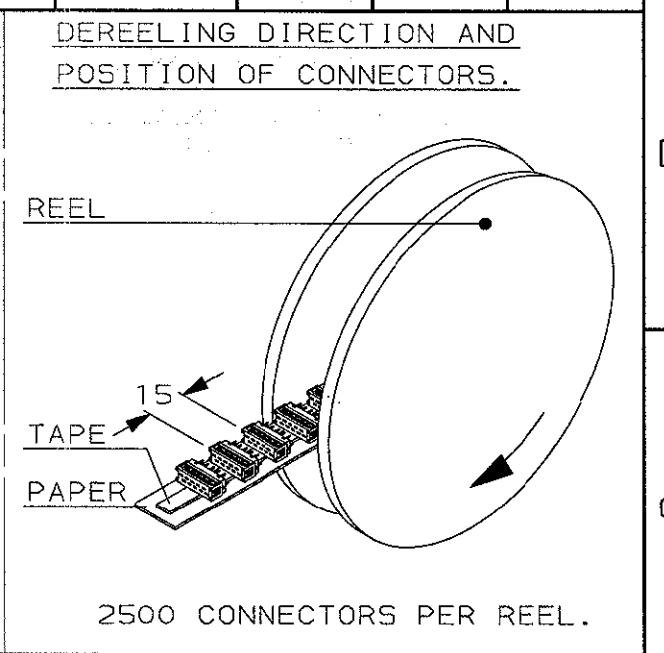
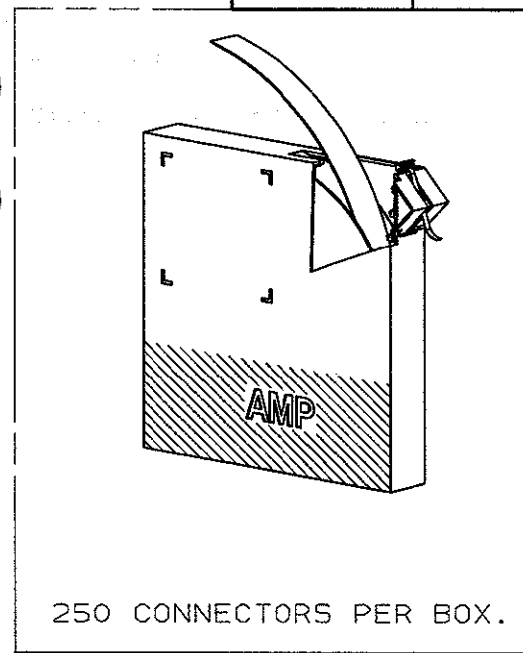
NOTE  
1. 10 POSITIONS AS SHOWN



4-10 positions  $\varnothing 0,8$   
12-24 positions  $\varnothing 0,85$



PARTNUMBER	PARTNUMBER	NUMBER OF POSITIONS	DIMENSION		
			"A" MAX.	"B" MAX.	"C"
7-215570-4	0-215570-4	4	8,6	5,4	3,81
7-215570-6	0-215570-6	6	11,1	8,0	6,35
7-215570-8	0-215570-8	8	13,6	10,5	8,89
8-215570-0	1-215570-0	10	16,2	13,0	11,43
8-215570-2	1-215570-2	12	18,7	15,6	13,97
8-215570-4	1-215570-4	14	21,3	18,1	16,51
8-215570-6	1-215570-6	16	23,8	20,7	19,05
8-215570-8	1-215570-8	18	26,3	23,2	21,59
9-215570-0	2-215570-0	20	28,9	25,7	24,13
9-215570-4	2-215570-4	24	34,0	30,8	29,21



DESCRIPTION	MATERIAL	ITEM
MALE HOUSING	GLASS FILLED POLYESTER (RED)	3
MALE CONTACT	PH.BR. PLATING: TIN-LEAD 93-7	2
COVER	GLASS FILLED POLYESTER (RED)	1

CUSTOMER DRAWING					FOR REFERENCE ONLY WILL NOT BE UPDATED	
© COPYRIGHT 19- BY AMP HOLLAND B.V.					ALL INTERNATIONAL RIGHTS RESERVED. AMP PRODUCTS MAY BE COVERED BY U.S. AND FOREIGN AND/OR PATENTS PENDING.	
THIS DRAWING IS UNPUBLISHED					RELEASED FOR PUBLICATION	
N	EH-1263-01	RvH	H.S	07-11-01	NAME	
M	EH-0924-00	RvH	H.S	24-08-01	TYCO ELECTRONICS NEDERLAND B.V. s-HERTOGENBOSCH, THE NETHERLANDS	
L	EH-0083-00	RvH	M.G.	03-03-00	Micro-Match	
K	EH-0702-97	D.K.	M.G.	01 JUL 97	PADDLE BOARD CONNECTOR	
LTR.	REVISION RECORD	DR.	CHK.	DATE		
DR.:	D. KESSLER	CHK.:	H. SPELDE	APP.:	H. SPELDE	DWG.No.
DATE:	-	DATE:	07-11-01	DATE:	07-11-01	C-215570
					REV.LTR.	SHEET
					N	1 OF 1