

PLEASE CHECK WWW.MOLEX.COM FOR LATEST PART INFORMATION

Part Number: [0554470270](#)
Status: **Active**
Description: 1.25mm (.049") Pitch Mi II™ System Wire-to-Board Header, Single Row, Vertical, with Positive Lock, Lead-free, 2 Circuits

Documents:

[3D Model](#) [Product Specification PS-54596-021 \(PDF\)](#)
[Drawing \(PDF\)](#) [RoHS Certificate of Compliance \(PDF\)](#)
[Product Specification PS-54596-018 \(PDF\)](#)

General

Product Family	PCB Headers
Series	55447
Application	Wire-to-Board
MolexKits	Yes
Product Name	Mini Mi II™

Physical

Breakaway	No
Circuits (Loaded)	2
Circuits (maximum)	2
Color - Resin	Natural
Durability (mating cycles max)	30
First Mate / Last Break	No
Glow-Wire Compliant	No
Guide to Mating Part	No
Keying to Mating Part	None
Lock to Mating Part	Yes
Material - Plating Mating	Tin
Material - Plating Termination	Tin
Material - Resin	Nylon
Number of Rows	1
Orientation	Vertical
PC Tail Length (in)	0.118 In
PC Tail Length (mm)	3.00 mm
PCB Locator	Yes
PCB Retention	Yes
PCB Thickness Recommended (in)	0.062 In
PCB Thickness Recommended (mm)	1.60 mm
Packaging Type	Tray
Pitch - Mating Interface (in)	0.049 In
Pitch - Mating Interface (mm)	1.25 mm
Polarized to Mating Part	Yes
Shrouded	Fully
Stackable	No
Surface Mount Compatible (SMC)	No
Temperature Range - Operating	-40°C to +105°C
Termination Interface: Style	Through Hole

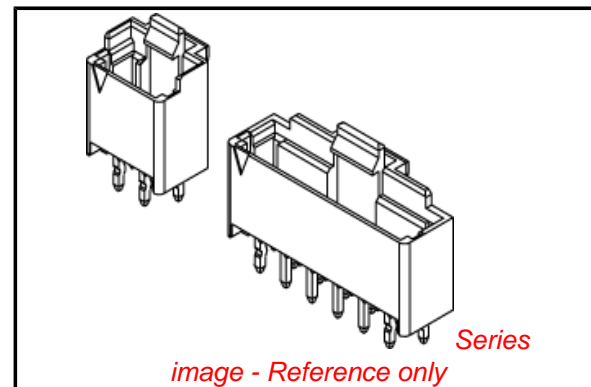
Electrical

Current - Maximum per Contact	1.5A
Voltage - Maximum	100V

Material Info

Reference - Drawing Numbers

Packaging Specification	SPK-55447-001
-------------------------	---------------



EU RoHS

ELV and RoHS Compliant

REACH SVHC

Not Reviewed

Halogen-Free

Status

Not Halogen-Free

Need more information on product environmental compliance?

Email productcompliance@molex.com
 For a multiple part number RoHS Certificate of Compliance, [click here](#)

Please visit the [Contact Us](#) section for any non-product compliance questions.

China RoHS



Search Parts in this Series

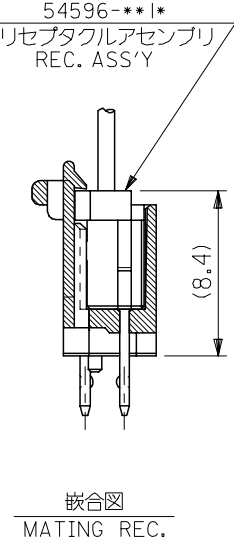
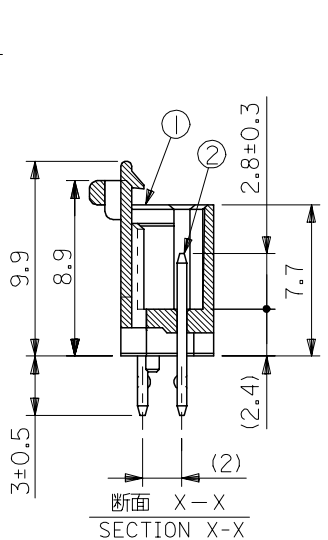
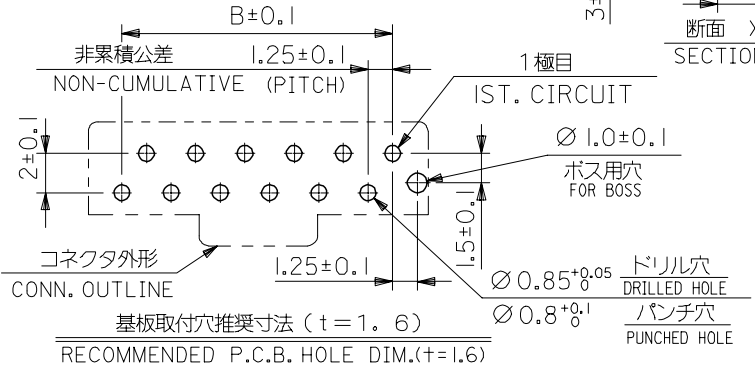
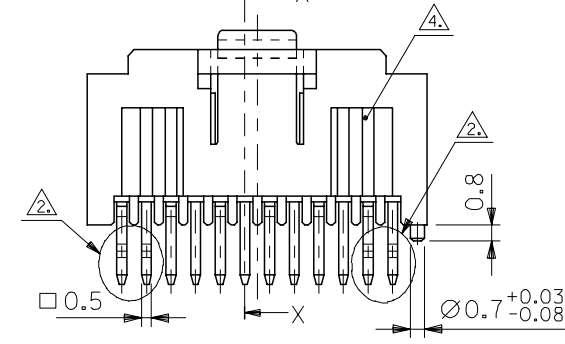
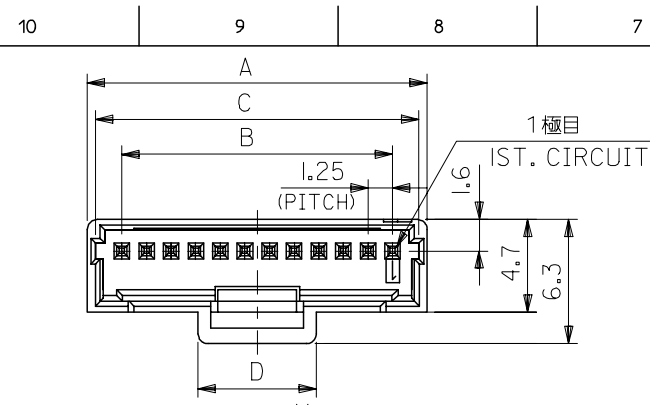
[55447Series](#)

Mates With

[51336](#) PBT Polyester, Glass-filled Housing.
[54596](#) PA Polyamide Housing

This document was generated on 06/07/2010

PLEASE CHECK WWW.MOLEX.COM FOR LATEST PART INFORMATION



番号 NO.	名称 NAME	原料 MATERIAL	数量 QTY	仕上げ FINISH
①	ウエハー WEFAR	ナイロン NYLON	1	UL94V-0
②	ピン PIN	黄銅 BRASS	N	全体鍍メッキ PRE-TINNED

注) NOTES 1. 原料および仕上げ: 表参照
 MATERIAL AND FINISH: SEE CHART
 △ キングは、両サイド4ピンに適用。(4極品までは、全極に適用) TO BE APPLICABLE 4 PIN OF BOTH SIDE.
 △ 製品番号 MATERIAL NO. 55447-***7*
 極数 CIRCUIT SIZE (02 ~ 20)
 メッキ仕様: 無鉛 PLATING: LEAD FREE
 色 COLOR 0: 自然色 NATURAL 2: 赤 RED, 3: 黄 YELLOW

△ 側面の溝は、10極以上に適用。
 SIDE DITCHES MUST BE APPLICABLE OVER 10 CIRCUIT SIZE.

6	26.4	23.75	27.25	20	55447-207*
	25.15	22.5	26	19	-197*
	23.9	21.25	24.75	18	-187*
	22.65	20	23.5	17	-177*
	21.4	18.75	22.25	16	-167*
	20.15	17.5	21	15	-157*
	18.9	16.25	19.75	14	-147*
	17.65	15	18.5	13	-137*
	16.4	13.75	17.25	12	-127*
	15.15	12.5	16	11	-117*
4.75	13.9	11.25	14.75	10	-107*
	12.65	10	13.5	9	-097*
	11.4	8.75	12.25	8	-087*
	10.15	7.5	11	7	-077*
	8.9	6.25	9.75	6	-067*
D	7.65	5	8.5	5	-057*
	6.4	3.75	7.25	4	-047*
	5.15	2.5	6	3	-037*
	3.9	1.25	4.75	2	55447-027*

REVISED		GENERAL TOLERANCES (UNLESS SPECIFIED)		DIMENSION STYLE		SCALE	DESIGN UNITS	THIRD ANGLE PROJECTION	
EC NO: J2006-0438	2005/08/08	10 UNDER ±0.2		MM ONLY		4:1	METRIC	MINI M12 1-ROW WAFER ASS'Y (SN) -LEAD FREE-	
DRWN: NABEI	2005/08/09	10 OVER 30 UNDER ±0.25		DRAWN BY DATE		TITLE		MOLEX MOLEX INCORPORATED	
CHKD: TOYODA	2005/08/09	30 OVER ±0.3		CHECKED BY DATE		MATERIAL NO.			
APPR: NUKITA	2005/08/19	ANGULAR ±3 °		APPROVED BY DATE		DOCUMENT NO.		SHEET NO.	
A	REV	DRAFT WHERE APPLICABLE MUST REMAIN WITHIN DIMENSIONS		Y. ITO '03/02/07		SEE CHART		SD-55447-010	
				SIZE A3		THIS DRAWING CONTAINS INFORMATION THAT IS PROPRIETARY TO MOLEX INCORPORATED AND SHOULD NOT BE USED WITHOUT WRITTEN PERMISSION		1 OF 2	

10 9 8 7 6 5 4 3 2 1

F

E

D

C

B

A

F

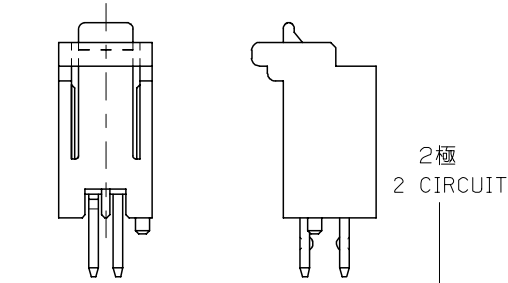
E

D

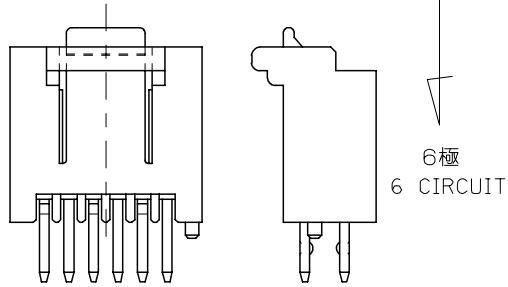
C

B

A

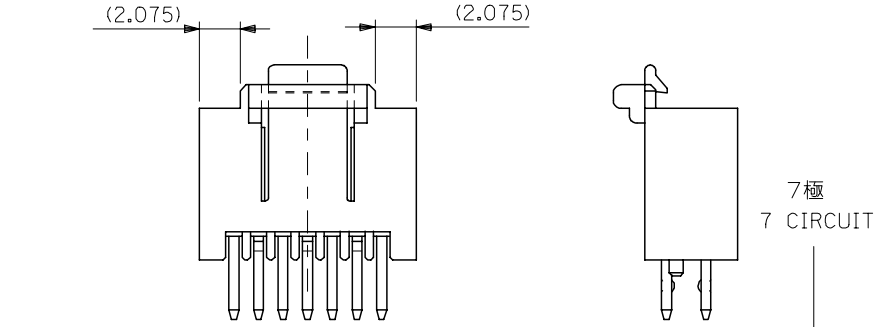


2極
2 CIRCUIT

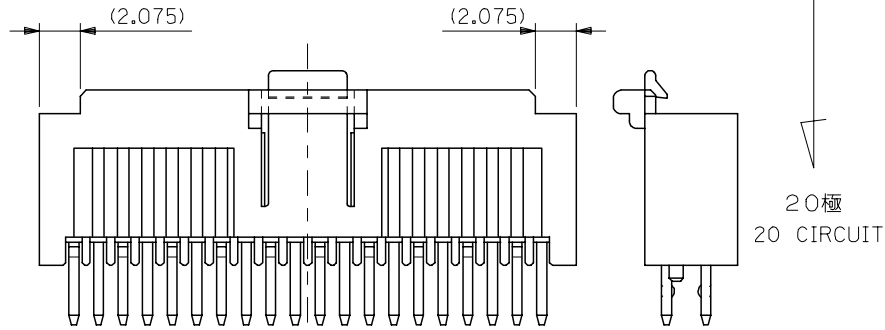


6極
6 CIRCUIT

2極~6極のハウジング形状
SHAPE OF HS'G FROM 2 TO 6 CIRCUIT



7極
7 CIRCUIT



20極
20 CIRCUIT

7極~20極のハウジング形状
SHAPE OF HS'G FROM 7 TO 20 CIRCUIT

REVISED EC NO: J2006-0438 DRWN: NABEI 2005/08/08 CHKDK: TOYODA 2005/08/09 APPR: NUKITA 2005/08/19	GENERAL TOLERANCES (UNLESS SPECIFIED)		DIMENSION STYLE MM ONLY		SCALE 4:1	DESIGN UNITS METRIC	THIRD ANGLE PROJECTION	
	10 UNDER	±0.2	DRAWN BY N. YOSHIDA	DATE '03/02/07	TITLE MINI M12 1-ROW WAFER ASS'Y (SN) -LEAD FREE-			
	10 OVER 30 UNDER	±0.25	CHECKED BY M. YAGI	DATE '03/02/07				
	30 OVER	±0.3	APPROVED BY Y. ITO	DATE '03/02/07	MOLEX INCORPORATED DOCUMENT NO. SD-55447-010 SHEET NO. 2 OF 2			
	ANGULAR	±3 °	MATERIAL NO. SEE CHART					
DRAFT WHERE APPLICABLE MUST REMAIN WITHIN DIMENSIONS		SIZE A3		THIS DRAWING CONTAINS INFORMATION THAT IS PROPRIETARY TO MOLEX INCORPORATED AND SHOULD NOT BE USED WITHOUT WRITTEN PERMISSION				

9

8

7

6

5

4

3

2