



Black Plastic Photodiode

LTR-516AD/LTR-526AD/LTR-536AD/LTR-546AD

Features

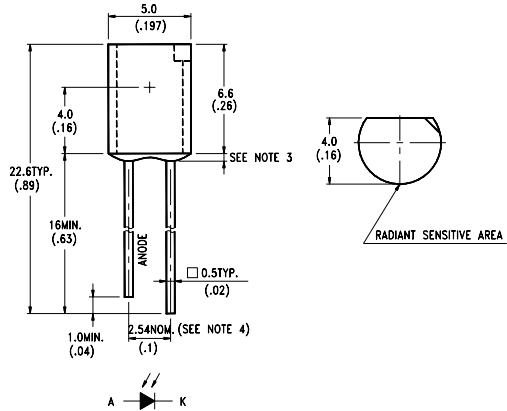
- High photo sensitivity.
- Suitable for infrared radiation.
- Low junction capacitance.
- High cut-off frequency.
- Fast switching time.

Description

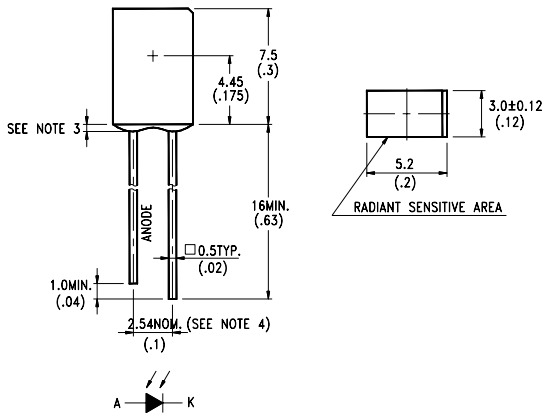
The LTR-516AD/LTR-526AD/LTR-536AD/LTR-546AD are special dark plastic package that cut the visible light and suitable for the detectors of infrared applications.

Package Dimensions

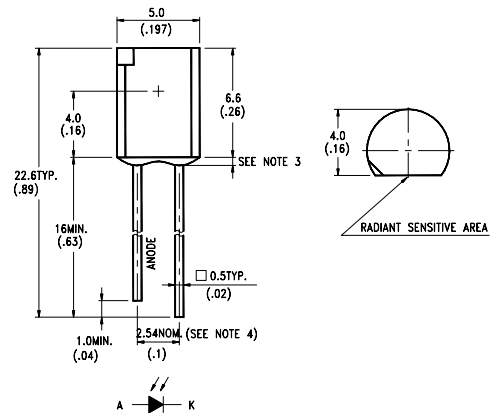
LTR-516AD



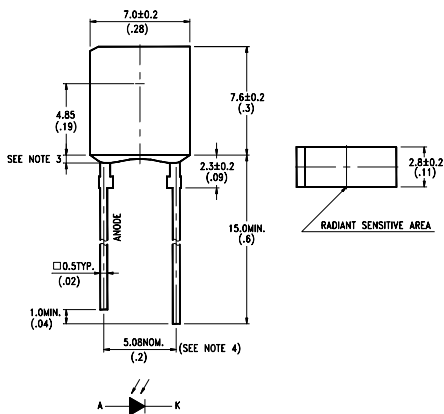
LTR-536AD



LTR-526AD



LTR-546AD



Notes:

1. All dimensions are in millimeters (inches).
2. Tolerance is $\pm 0.25\text{mm}$ (.010") unless otherwise noted.
3. Protruded resin under flange is 1.5mm (.059") max.
4. Lead spacing is measured where the leads emerge from the package.
5. Specifications are subject to change without notice.

INFRARED PRODUCTS

Absolute Maximum Ratings at Ta=25°C

Parameter	Maximum Rating	Unit
Power Dissipation	150	mW
Reverse Break Down Voltage	30	V
Operating Temperature Range	-40°C to +85°C	
Storage Temperature Range	-55°C to +100°C	
Lead Soldering Temperature [1.6mm (.063 in.) from body]	260°C for 5 Seconds	

Electrical Optical Characteristics at Ta=25°C

Parameter	Symbol	Min.	Typ.	Max.	Unit	Test Condition
Reverse Break Down Voltage	$V_{(BR)R}$	30			V	$I_R=100 \mu A$ $E_e=0mW/cm^2$
Reverse Dark Current	$I_{D(R)}$			30	nA	$V_R=10V$ $E_e=0mW/cm^2$
Open Circuit Voltage	V_{OC}		350		mV	$\lambda = 940nm$ $E_e=0.5mW/cm^2$
Rise Time	T_r		50		nsec	$V_R=10V$ $\lambda = 940nm$ $R_L=1K \Omega$
Fall Time	T_f		50		nsec	
Light Current	I_s	1.7	2		μA	$V_R=5V$ $\lambda = 940nm$ $E_e=0.1mW/cm^2$
Total Capacitance	C_T		25		pF	$R=3V$ $V_f=1MHz$ $E_e=0mW/cm^2$
Wavelength of the Max Sensitivity	λ_{SMAX}		900		nm	

Typical Electrical/Optical Characteristic Curves (25°C Ambient Temperature Unless Otherwise Noted)

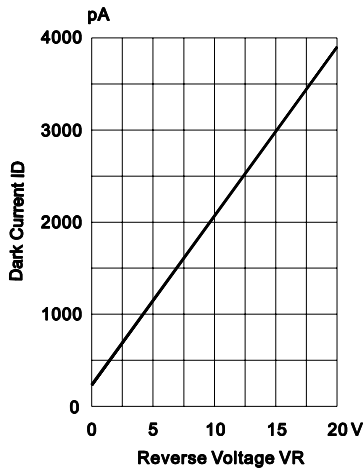


Fig.1 DARK CURRENT VS. REVERSE VOLTAGE
TA=25 XC, Ee=0 mW/cm²

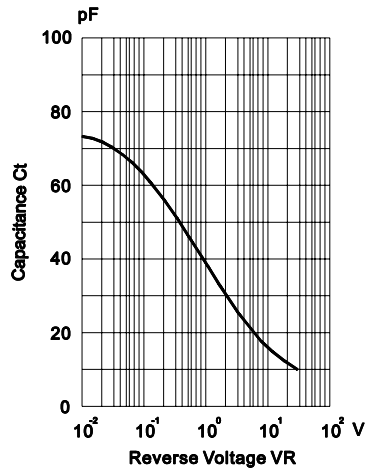


Fig.2 CAPACITANCE VS. REVERSE VOLTAGE
F=1MHZ; Ee=0mW/cm²

Typical Electrical/Optical Characteristic Curves (25°C Ambient Temperature Unless Otherwise Noted)

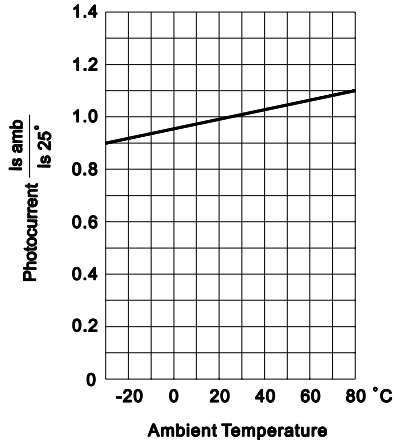


Fig.3 PHOTOCURRENT VS. AMBIENT TEMPERATURE

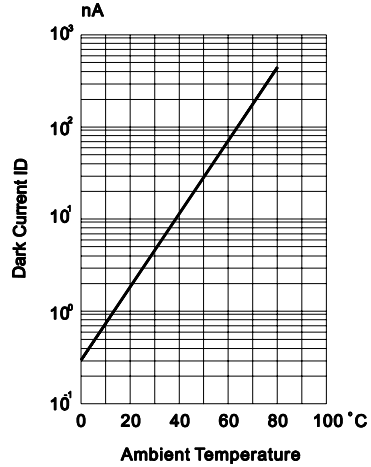


Fig.4 DARK CURRENT AMBIENT TEMPERATURE
VR=10, Ee=0mW/cm²

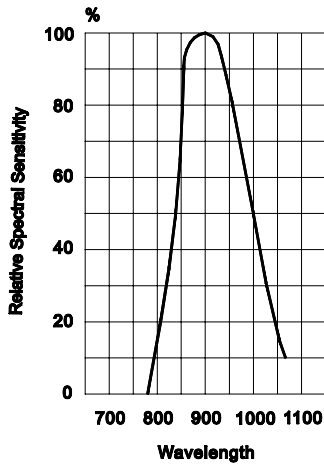


Fig.5 RELATIVE SPECTRAL SENSITIVITY VS WAVELENGTH

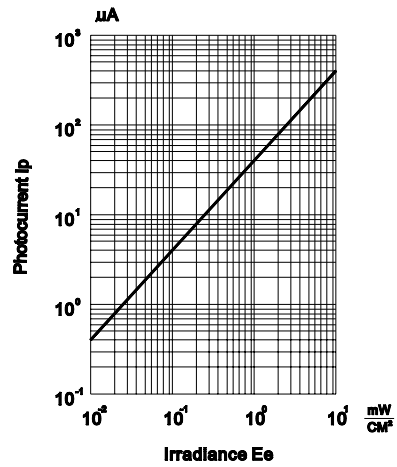


Fig.6 PHOTOCURRENT VS IRRADIANCE λ= 940 nm

Typical Electrical/Optical Characteristic Curves (25°C Ambient Temperature Unless Otherwise Noted)

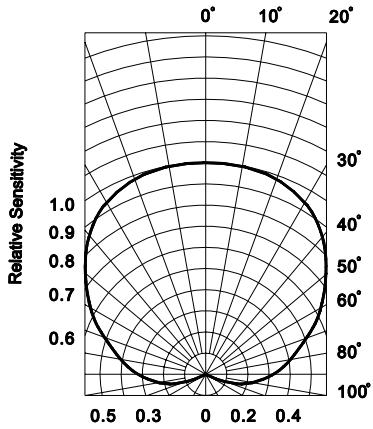


Fig.7 SENSITIVITY DIAGRAM

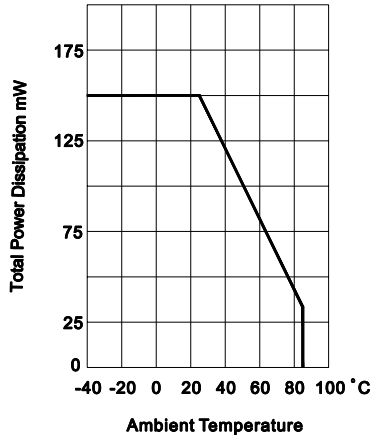


Fig.8 TOTAL POWER DISSIPATION VS AMBIENT TEMPERATURE