



ADVANCED INFORMATION

T-45-23-17

54F/74F579
8-Bit Bidirectional Binary Counter
with TRI-STATE® Outputs

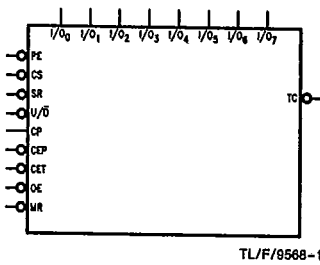
General Description

The 'F579 is a fully synchronous 8-stage up/down counter with multiplexed TRI-STATE I/O ports for bus-oriented applications. It features a preset capability for programmable operation, carry lookahead for easy cascading and a U/D input to control the direction of counting. All state changes, whether in counting or parallel loading, are initiated by the rising edge of the clock.

Features

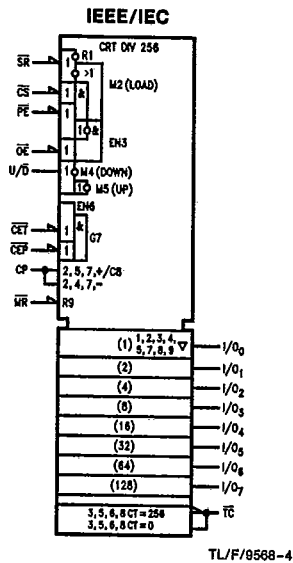
- Multiplexed TRI-STATE I/O ports
- Built-in lookahead carry capability
- Count frequency 100 MHz typ
- Supply current 75 mA typ

Logic Symbols



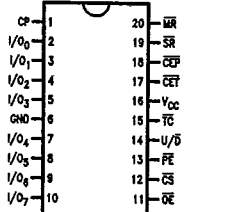
TL/F/9568-1

Connection Diagrams



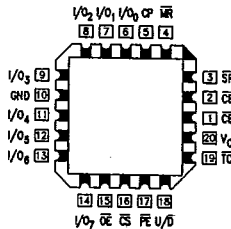
TL/F/9568-4

Pin Assignment for DIP, SOIC and Flatpak



TL/F/9568-2

Pin Assignment for LCC and PCC

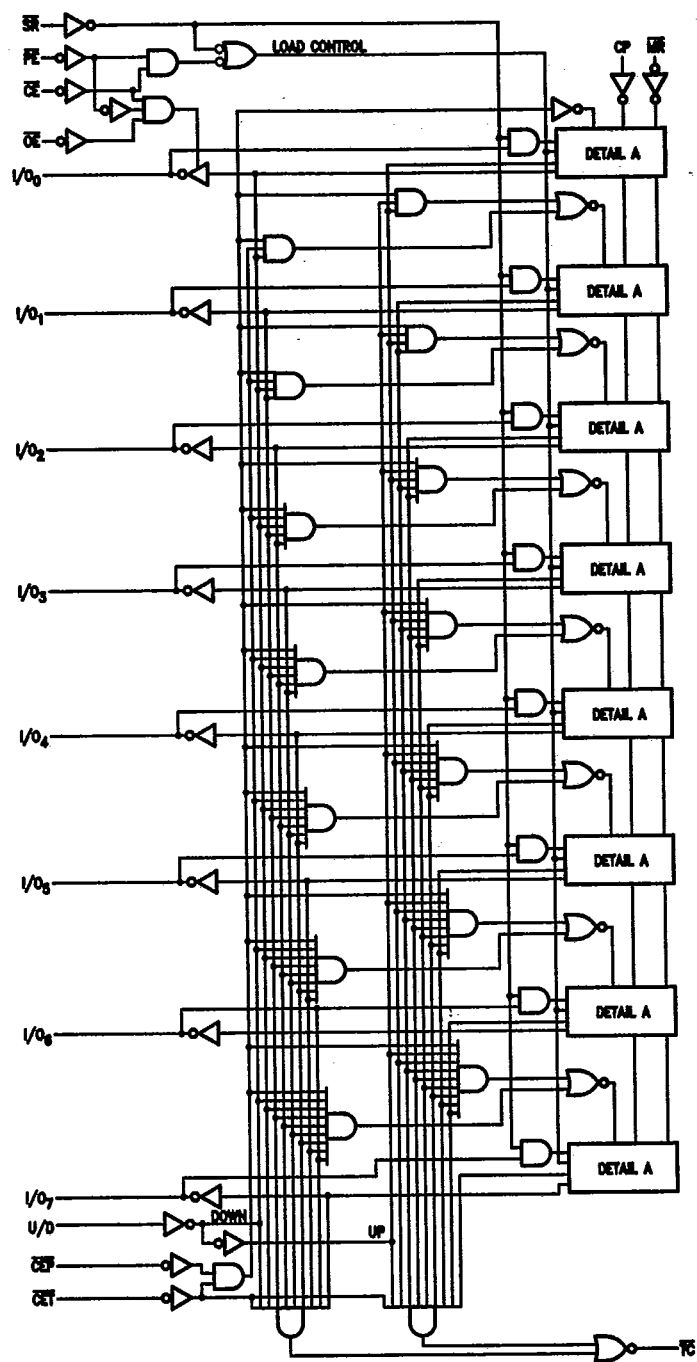


TL/F/9568-3

T-45-23-17

579

Logic Diagram



TL/F/0568-5

Please note that this diagram is provided only for the understanding of logic operations and should not be used to estimate propagation delays.