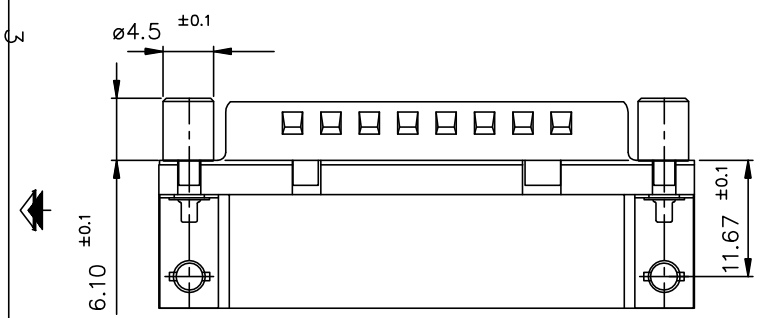


SHELL	A±0.38	B±0.12	C±0.10	D±0.25	E±0.07	G±0.25
09	30.81	24.99	16.96	16.79	10.96	5.90
15	39.14	33.32	25.18	25.12	19.18	5.90
25	53.03	47.04	39.12	38.84	33.12	5.70
37	69.32	63.50	55.68	55.30	49.68	5.70

GENERAL CHARACTERISTICS : SEE DRAWING C01-8646-0000



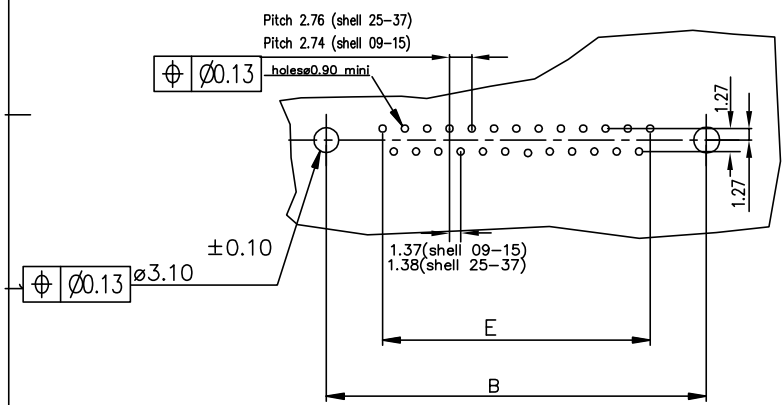
PC card drilling dimensions(after plating)
(thickness 1.60±0.20mm)

- 4 = Performance level PL3 ≥ 200 OPERATIONS
- 6 = Performance level PL1 ≥ 500 OPERATIONS

LF FOR LEAD FREE

SHELL	PART NUMBER	DESIGNATIONS
09	D09P13A*G*00**	HEADER 9 CTS RIGHT ANGLED-SOLDER TO BOARD-PCB HARPOON-SCREWLOCK -ELEC.CONTIN.
15	D15P13A*G*00**	HEADER 15 CTS RIGHT ANGLED-SOLDER TO BOARD-PCB HARPOON-SCREWLOCK -ELEC.CONTIN.
25	D25P13A*G*00**	HEADER 25 CTS RIGHT ANGLED-SOLDER TO BOARD-PCB HARPOON-SCREWLOCK -ELEC.CONTIN.
37	D37P13A*G*00**	HEADER 37 CTS RIGHT ANGLED-SOLDER TO BOARD-PCB HARPOON-SCREWLOCK -ELEC.CONTIN.

- I = SCREWLOCK Threaded M3
- V = SCREWLOCK Threaded UNC 4.40 sellers



mat'l. code SEE.TECH.SPEC		surface ISO 1302 ✓	tolerance ISO 406 ISO 1101	projection	product family DELTA-D
ltr	ecn no	dr	date	tolerances unless otherwise specified	title
D	105-0124	JS	2005/07/27	angles linear	HEADER DELTA-D RIGHT ANGLED SCREW LOCK, HARPOON, & METAL BRACKET
E	106-0074	SK	2006/06/08	linear .00±0.1	
F	109-0023	AS	2009/02/11	0°±1" .000±.00X	
		dr	GEORGE.V.JOSEPH	2006/10/17	scale -
		enr	GEORGE.V.JOSEPH	2006/10/17	FCI
		chr	ANISH.SALAM	2009/02/11	
		appd	ANISH.SALAM	2009/02/11	
sheet index	revision sheet	F	1		dwg no sheet 1 of 1 size C01-8646-0742 A3
					type Product Customer Drawing

Copyright FCI