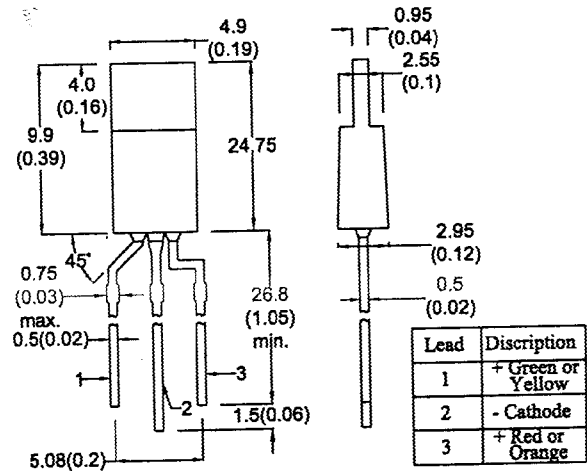


DESCRIPTION

An orange and green lamp made of GaAsP, GaP offering a changing color characteristics dependent on the direction the lamp is biased. These two light emitting diodes are mounted in a rectangular 0.95mm x 4.90mm dual color, white diffused lens.



- All dimension in mm(inch)
- No Scale
- Tol. : +/-0.3mm

ABSOLUTE MAXIMUM RATINGS

Power Dissipation @ Ta=25°C
 Forward Current, DC (IF)
 Reverse Voltage
 Operating & Storage Temperature Range
 Lead Soldering Temperature (1/16" from body, 5 seconds)

	ORANGE	GREEN
Power Dissipation	90mW	90mW
Forward Current, DC (IF)	30mA	30mA
Reverse Voltage	5V	5V
Operating & Storage Temperature Range	-55 to +100°C	
Lead Soldering Temperature (1/16" from body, 5 seconds)	260°C	

ELECTRO-OPTICAL CHARACTERISTICS (Ta=25°C)

PARAMETER	SYMBOL	ORANGE	GREEN	UNIT	CONDITIONS
Forward Voltage	MAX VF	3.0	3.0	V	IF=20mA
Reverse Breakdown Voltage	MIN BVR	5	5	V	IR=100μA
Luminous Intensity	MIN IV	2.0	3.0	mcd	IF=20mA
	TYP	3.0	4.0	mcd	IF=20mA
Peak Wavelength	TYP λp	630	570	nm	IF=20mA
Spectral Line Half Width	TYP Δλ	35	30	nm	IF=20mA



MICRO ELECTRONICS LTD.
 38, Hung To Road, Microtron Building, Kwun Tong, Kowloon, Hong Kong.
 Kwun Tong P.O. Box 69477 Hong Kong. Fax No. 2341 0321 Telex:43510 Micro Hx. Tel: 2343 0181-5