

PLEASE CHECK WWW.MOLEX.COM FOR LATEST PART INFORMATION

Part Number: [0746961103](#)
Status: **Active**
Overview: vhdm_hsd
Description: 2.00mm (.079") Pitch 5-Row VHDM-HSD™ Backplane Header, Guide Pin Signal Module, Signal Pin End Version, Advanced Mate Shield, 40 Circuits, Pin Length 4.25mm (.167")

Documents:

[Drawing \(PDF\)](#) [RoHS Certificate of Compliance \(PDF\)](#)

Agency Certification

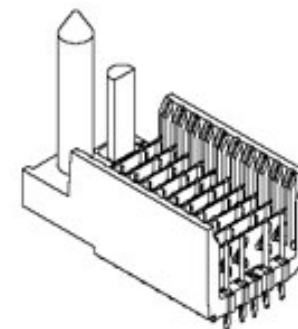
CSA LR19880

General

Product Family Backplane Connectors
 Series [74696](#)
 Application Backplane
 Application Tooling Documents [Tooling Manual](http://www.molex.com/pdm_docs/ats/TM-622010999.pdf)
 Comments No Keying Position
 Component Type PCB Header
 Overview [vhdm_hsd](#)
 Product Name VHDM-HSD™
 Style N/A

Physical

Circuits (Loaded) 40
 Circuits (maximum) 40
 Color - Resin Black
 Durability (mating cycles max) 200
 First Mate / Last Break No
 Flammability 94V-0
 Guide to Mating Part Yes
 Keying to Mating Part None
 Material - Metal High Performance Alloy (HPA), Stainless Steel
 Material - Plating Mating Gold
 Material - Plating Termination Tin-Lead
 Material - Resin High Temperature Thermoplastic
 Number of Columns 10
 Number of Pairs Open Pin Field
 Number of Rows 5
 Orientation Vertical
 PCB Retention None
 PCB Thickness Recommended (in) 0.070 In
 PCB Thickness Recommended (mm) 1.80 mm
 Packaging Type Tube
 Pitch - Mating Interface (in) 0.079 In
 Pitch - Mating Interface (mm) 2.00 mm
 Plating min: Mating (µin) 30
 Plating min: Mating (µm) 0.75
 Plating min: Termination (µin) 30
 Plating min: Termination (µm) 0.75
 Polarized to PCB Yes
 Stackable Yes
 Surface Mount Compatible (SMC) Yes
 Temperature Range - Operating -55°C to +105°C



Series

image - Reference only

EU RoHS

RoHS Compliant by Exemption

REACH SVHC

Not Reviewed

Halogen-Free

Status

Halogen-Free

China RoHS



Pb

Need more information on product environmental compliance?

Email productcompliance@molex.com
 For a multiple part number RoHS Certificate of Compliance, [click here](#)

Please visit the [Contact Us](#) section for any non-product compliance questions.

Search Parts in this Series

[74696Series](#)

Mates With

[74670 HSD Daughtercard](#)

Application Tooling | FAQ

Tooling specifications and manuals are found by selecting the products below. Crimp Height Specifications are then contained in the Application Tooling Specification document.

Global

| Description | Product # |
|--|----------------------------|
| VHDM® 5 Row Pin and Shield Repair Tool | 0622015810 |
| VHDM® 5 Row Shield Extraction Tool | 0622016010 |
| VHDM-HSD™ Signal Header, 5 Row by 10 Wide, 20.00mm (.787") | 0622020201 |

Termination Interface: Style

Through Hole - Compliant Pin

Electrical

Current - Maximum per Contact

1A

Data Rate

5.0 Gbps

Real Signals (per 25mm)

48

Voltage - Maximum

120V AC (RMS)/DC

Material Info

Reference - Drawing Numbers

Packaging Specification

PK-74696-003

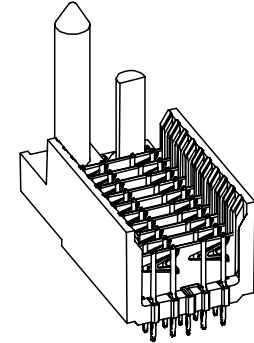
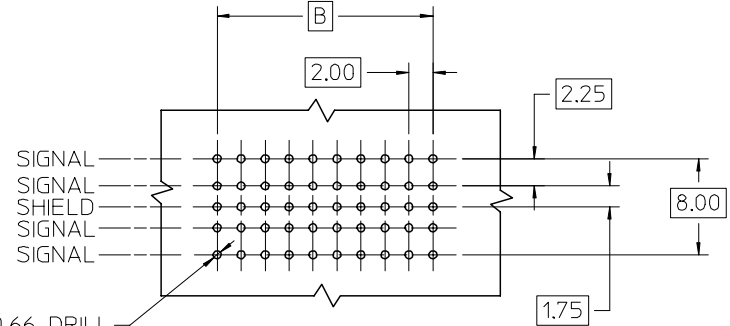
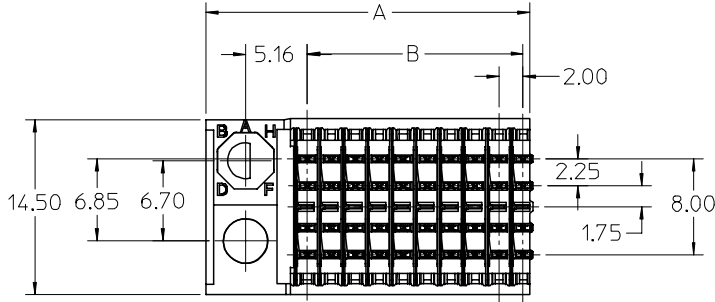
Sales Drawing

SD-74696-003

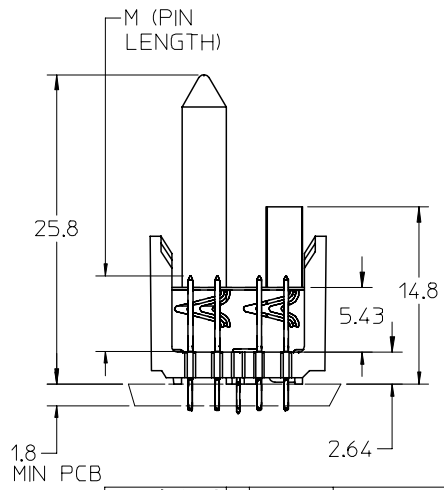
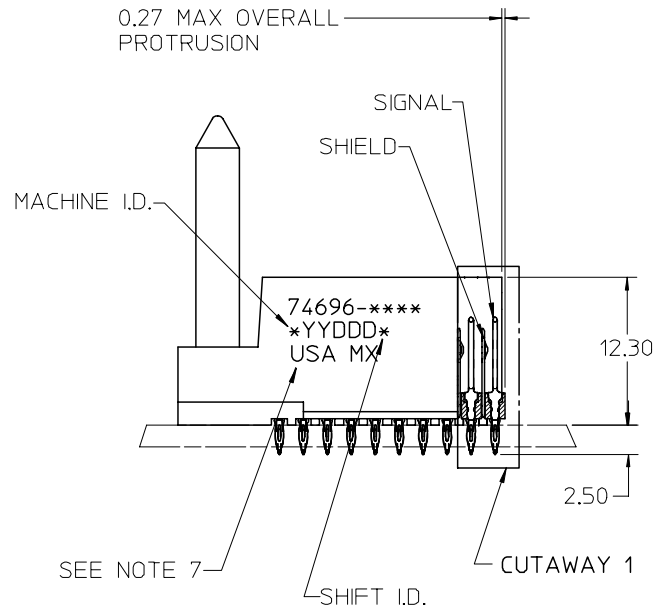
VHDM-HSD is a trademark of Amphenol Corporation

This document was generated on 05/27/2010

PLEASE CHECK WWW.MOLEX.COM FOR LATEST PART INFORMATION



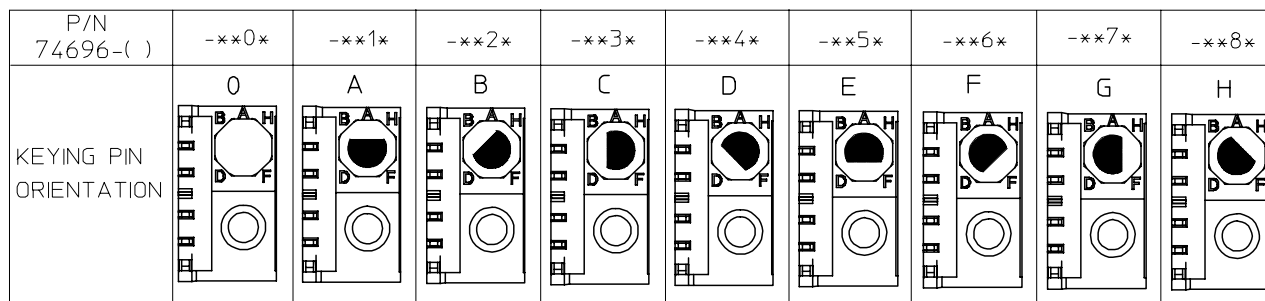
$\phi 0.66$ DRILL
 $\phi 0.56 \pm 0.05$ PTH
 $\phi 1.00$ PAD
 $\phi 0.10$
BACKPLANE HOLE PATTERN
RECOMMENDED DIMENSION



- NOTES:
1. MATERIAL: HOUSING -LIQUID CRYSTAL POLYMER (LCP) GLASS-FILLED. UL 94 V-0. COLOR: BLACK. SIGNAL & SHIELD -COPPER ALLOY.
 2. FINISHES: SELECTIVE GOLD (Au) ON CONTACT AREA. SELECTIVE TIN/LEAD (Sn/Pb) ON PCB TAILS. NICKEL (Ni) OVERALL.
 3. THIS PART CONFORMS TO MOLEX PRODUCT SPECIFICATION PS-74031-999.
 4. FOR MIXED CONTACT MATING LENGTHS CONSULT MOLEX FOR AVAILABILITY.
 5. FOR SPECIFIC PART NUMBER AND MATING INFORMATION REFER TO SHEET 2.
 6. PACKAGE PER PK-74696-003.
 7. EITHER MARK PART NUMBER AND DATE CODE APPROXIMATELY WHERE SHOWN OR PLACE LABEL ON THE TUBE.

| | | | | | | | |
|--|-----------------------------------|---|-----------------------------------|---|-------------------------------|-----------------------------|------------------------------|
| REVISED - PLATING NOTE EC NO: UCP2005-2161 DRWN: JBINGHAM 2005/04/07 CHKD: 2005/04/07 APPR: CBIXLER 2005/04/08 | QUALITY SYMBOLS ▽ = 0 ▽ = 0 | GENERAL TOLERANCES (UNLESS SPECIFIED) | | SCALE 2.5:1 | DESIGN UNITS METRIC | THIRD ANGLE PROJECTION | REVISE ON CAD ONLY |
| | | 4 PLACES ± --- ± --- 3 PLACES ± --- ± --- 2 PLACES ± --- ± --- 1 PLACE ± --- ± --- | DIMENSION STYLE MM ONLY | TITLE HSD SALES ASSEMBLY ADVANCED MATE 5 ROW SIGNAL END BACKPLANE | | | |
| | | ANGULAR ±1/2° | | DRAWN BY MQWANG | DATE 2001/07/23 | MOLEX INCORPORATED | |
| | | DRAFT WHERE APPLICABLE MUST REMAIN WITHIN DIMENSIONS | | CHECKED BY JLAURX | DATE 2001/10/12 | MATERIAL NO. SEE SHEET 2 | DOCUMENT NO. SD-74696-003 |

THIS DRAWING CONTAINS INFORMATION THAT IS PROPRIETARY TO MOLEX INCORPORATED AND SHOULD NOT BE USED WITHOUT WRITTEN PERMISSION

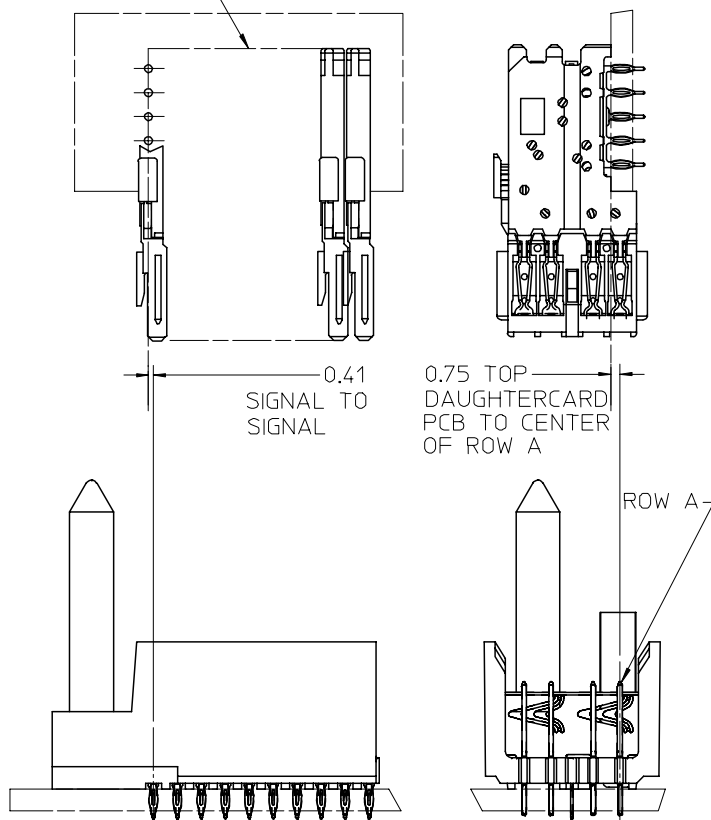


74696-***

COLUMN CODE
11 & 26

CONTACT LOAD
(PIN LENGTH)
1 & 6 = 4.75
2 & 7 = 6.25
3 & 8 = 4.25
4 & 9 = 5.15

DAUGHTERCARD
CONNECTOR SIDE



| PART NUMBER | COLUMN | NUMBER OF SIGNALS | NUMBER OF SHIELDS | A | B | M | Au (um) MIN THICKNESS | Sn (um) THICKNESS |
|-------------|--------|-------------------|-------------------|-------|-------|------|-----------------------|-------------------|
| 74696-11*1 | 10 | 40 | 10 | 27.00 | 18.00 | 4.75 | 0.76 | 0.76-1.52 |
| 74696-11*6 | | | | | | | 1.27 | |
| 74696-26*1 | 25 | 100 | 25 | 57.00 | 48.00 | 6.25 | 0.76 | |
| 74696-26*6 | | | | | | | 1.27 | |
| 74696-11*2 | 10 | 40 | 10 | 27.00 | 18.00 | 4.25 | 0.76 | |
| 74696-11*7 | | | | | | | 1.27 | |
| 74696-26*2 | 25 | 100 | 25 | 57.00 | 48.00 | 5.15 | 0.76 | |
| 74696-26*7 | | | | | | | 1.27 | |
| 74696-11*3 | 10 | 40 | 10 | 27.00 | 18.00 | 4.75 | 0.76 | |
| 74696-11*8 | | | | | | | 1.27 | |
| 74696-26*3 | 25 | 100 | 25 | 57.00 | 48.00 | 6.25 | 0.76 | |
| 74696-26*8 | | | | | | | 1.27 | |
| 74696-11*4 | 10 | 40 | 10 | 27.00 | 18.00 | 5.15 | 0.76 | |
| 74696-11*9 | | | | | | | 1.27 | |
| 74696-26*4 | 25 | 100 | 25 | 57.00 | 48.00 | 4.25 | 0.76 | |
| 74696-26*9 | | | | | | | 1.27 | |

| | | | | | | | | |
|--|-------------------------------|---------------------------------------|-------|---|-------------------------|------------------------|---------------------|--|
| SEE SHEET 1 EC NO: UCP2005-2161 DRWN: BINGHAM 2005/04/07 CHKD: 2005/04/07 APPR: CBIXLER 2005/04/08 | QUALITY SYMBOLS | GENERAL TOLERANCES (UNLESS SPECIFIED) | | SCALE 2.5:1 | DESIGN UNITS METRIC | THIRD ANGLE PROJECTION | REVISE ON CAD ONLY | |
| | DESCRIPTION ▼ = 0 ▽ = 0 | | mm | INCH | DIMENSION STYLE MM ONLY | | TITLE | |
| | | 4 PLACES | ± --- | ± --- | DRAWN BY DATE | | HSD SALES ASSEMBLY | |
| | | 3 PLACES | ± --- | ± --- | MQWANG 2001/07/23 | | ADVANCED MATE 5 ROW | |
| | 2 PLACES | ± --- | ± --- | CHECKED BY DATE | | SIGNAL END BACKPLANE | | |
| | 1 PLACE | ± --- | ± --- | JLAURX 2001/10/12 | | MOLEX INCORPORATED | | |
| | | ANGULAR ±1/2° | | APPROVED BY DATE | | MATERIAL NO. | DOCUMENT NO. | |
| | | DRAFT WHERE APPLICABLE | | CBIXLER 2001/10/12 | | SEE TABLE | SD-74696-003 | |
| | | MUST REMAIN WITHIN DIMENSIONS | | THIS DRAWING CONTAINS INFORMATION THAT IS PROPRIETARY TO MOLEX INCORPORATED AND SHOULD NOT BE USED WITHOUT WRITTEN PERMISSION | | SHEET NO. | 2 OF 2 | |