

FEATURES AND SPECIFICATIONS

Features and Benefits

- Sizes 2 to 12 circuits
- Guide rails facilitate mating
- Friction lock for mating retention
- Molded pull-tabs enable easy un-mating

Reference Information

Product Specification: Wire-to-Board—PS-51191-002

Wire-to-Wire—PS-51191-003

Packaging: Bag

UL File No.: E29179

Mates With: 5045, 5046 and 5240

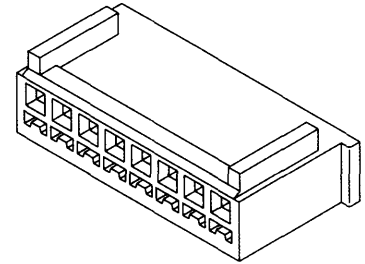
Use With: 50802

Designed In: Millimeters



2.50mm (.098") Pitch Wire-to-Board and Wire-to-Wire Receptacle

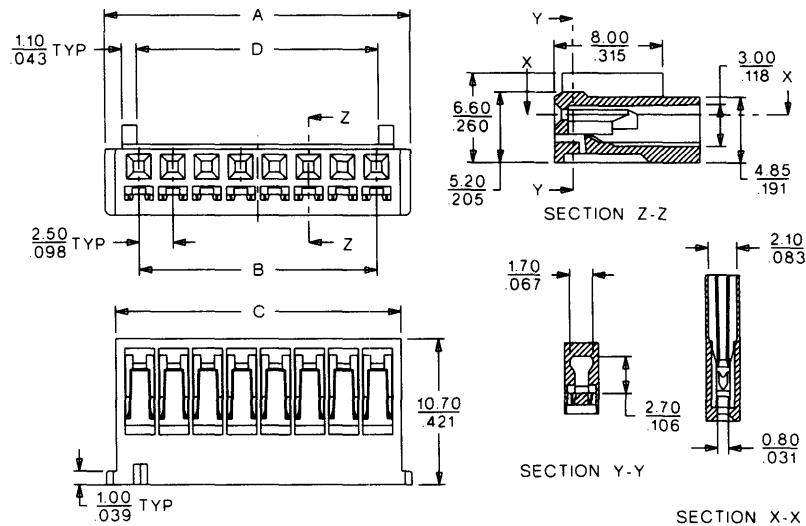
51191



2.00 to 2.50mm (.079 to .098") Pitch

B

CATALOG DRAWING (FOR REFERENCE ONLY)



ORDERING INFORMATION AND DIMENSIONS

Circuits	Order No.	Dimension			
		A	B	C	D
2	51191-0200	7.50 (.295)	2.50 (.098)	6.00 (.236)	2.80 (.110)
3	51191-0300	10.00 (.394)	5.00 (.197)	8.50 (.335)	5.30 (.209)
4	51191-0400	12.50 (.492)	7.50 (.295)	11.00 (.433)	7.80 (.307)
5	51191-0500	15.00 (.591)	10.00 (.394)	13.50 (.531)	10.30 (.406)
6	51191-0600	17.50 (.689)	12.50 (.492)	16.00 (.630)	12.80 (.504)
7	51191-0700	20.00 (.787)	15.00 (.591)	18.50 (.728)	15.30 (.602)
8	51191-0800	22.50 (.886)	17.50 (.689)	21.00 (.827)	17.80 (.701)
9	51191-0900	25.00 (.984)	20.00 (.787)	23.50 (.925)	20.30 (.799)
10	51191-1000	27.50 (1.083)	22.50 (.886)	26.00 (1.024)	22.80 (.898)
11	51191-1100	30.00 (1.181)	25.00 (.984)	28.50 (1.122)	25.30 (.996)
12	51191-1200	32.50 (1.280)	27.50 (1.083)	31.00 (1.220)	27.80 (1.094)
13	51191-1300	35.00 (1.378)	30.00 (1.181)	33.50 (1.319)	30.03 (1.182)
14	51191-1400	37.50 (1.477)	32.50 (1.280)	36.00 (1.420)	32.80 (1.291)
15	51191-1500	40.00 (1.575)	35.00 (1.378)	38.50 (1.516)	35.30 (1.390)