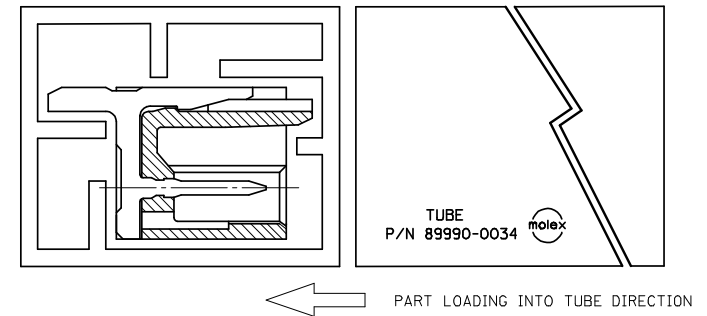


SECTION A-A



NOTES:

- MATERIALS:
HOUSING: NYLON, GLASS-FILLED, UL94 V-0;
COLOR: SEE TABLE
PINS: BRASS ALLOY, C26000
- PLATING: 2.54MM MIN. TIN OVER 1.27MM MIN. NICKEL.
- DRAWING SHOWS PLUG WITH 5 CIRCUITS.
- HEADER TO BE USED WITH CRIMP HOUSING, P/N 87439 AND CRIMP TERMINAL, P/N 87421
- PARTS SHALL BE PACKED IN MOISTURE BARRIER BAG.

ADD TUBE DETAILS EC NO: S2008-0476 DRWN:SKANG 2007/12/14 CHYK:ATSEE 2007/12/18 APPR:MLONG 2007/12/18	QUALITY SYMBOLS ▽=0 ◻=0	GENERAL TOLERANCES (UNLESS SPECIFIED)		DIMENSION STYLE MM ONLY		SCALE NTS	DESIGN UNITS METRIC	THIRD ANGLE PROJECTION		
			mm	INCH	DRAWN BY KCLING	DATE 1994/04/08	TITLE 1.50MM PITCH, W-T-B HEADER, R/A, SMT			
		4 PLACES	± ---	± ---	CHECKED BY SKTOH	DATE 1994/04/21	MOLEX INCORPORATED SD-87438-**31			
		3 PLACES	± ---	± ---	APPROVED BY RWONG	DATE 1994/04/24				
2 PLACES	± 0.20	± ---	MATERIAL NO. SEE TABLE		DOCUMENT NO. SD-87438-**31		SHEET NO. 1 OF 3			
1 PLACE	± ---	± ---	ANGULAR ± 3 °		THIS DRAWING CONTAINS INFORMATION THAT IS PROPRIETARY TO MOLEX INCORPORATED AND SHOULD NOT BE USED WITHOUT WRITTEN PERMISSION					
DRAFT WHERE APPLICABLE MUST REMAIN WITHIN DIMENSIONS		SIZE A3								

10 9 8 7 6 5 4 3 2 1

CKT SIZE	A	B	C	D	E
02	1.50	3.30	3.70	4.30	1.70
03	3.00	4.80	5.20	5.80	3.20
04	4.50	6.30	6.70	7.30	4.70
05	6.00	7.80	8.20	8.80	6.20
06	7.50	9.30	9.70	10.30	7.70
07	9.00	10.80	11.20	11.80	9.20
08	10.50	12.30	12.70	13.30	10.70
09	12.00	13.80	14.20	14.80	12.20
10	13.50	15.30	15.70	16.30	13.70
11	15.00	16.80	17.20	17.80	15.20
12	16.50	18.30	18.70	19.30	16.70
13	18.00	19.80	20.20	20.80	18.20
14	19.50	21.30	21.70	22.30	19.70
15	21.00	22.80	23.20	23.80	21.20

PART NUMBER ASSIGNMENT

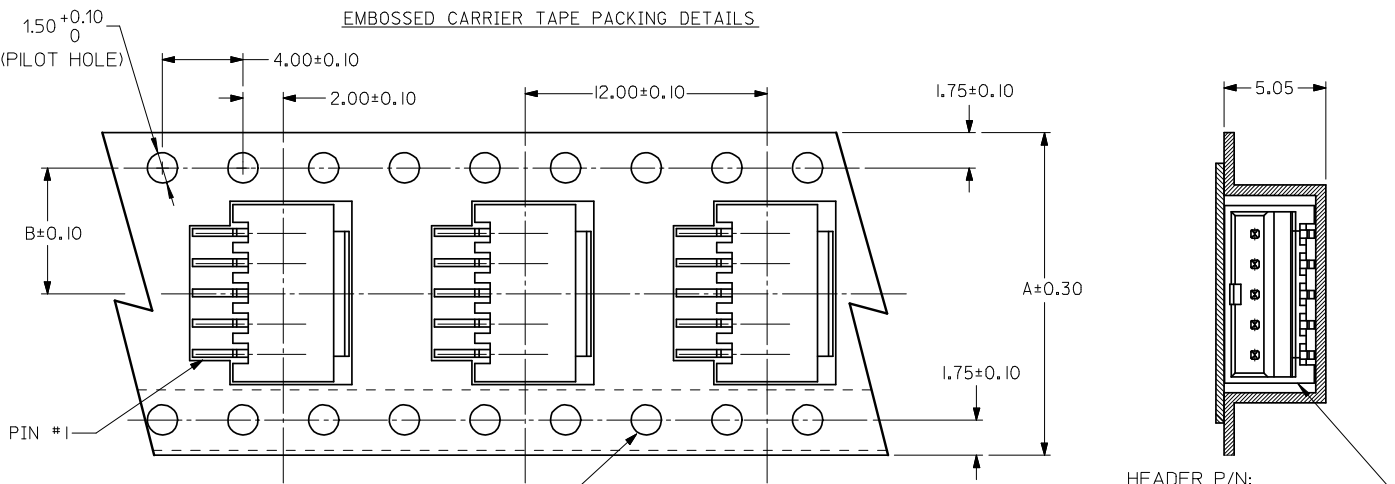
87438-XXXX

- 2- TUBE PACKAGING
- 3- TAPE AND REEL PACKAGING
- 4- BEIGE COLOR HSG
- 6- BLACK COLOR HSG
- 2 TO 15 - CIRCUIT SIZE

ADD TUBE DETAILS EC NO: S2008-0476 DRWN:SKANG CHKD:ATSEE APPR:MLONG	2007/12/14 2007/12/18 2007/12/18	DESCRIPTION REV	QUALITY SYMBOLS	GENERAL TOLERANCES (UNLESS SPECIFIED)	DIMENSION STYLE	SCALE	DESIGN UNITS	THIRD ANGLE PROJECTION
			$\nabla=0$ $\triangle=0$	mm INCH 4 PLACES ± --- ± --- 3 PLACES ± --- ± --- 2 PLACES ± 0.20 ± --- 1 PLACE ± --- ± --- ANGULAR ± 3 °	MM ONLY	NTS	METRIC	TITLE 1.50MM PITCH, W-T-B HEADER, R/A, SMT
				DRAWN BY: KCLING DATE: 1994/04/08 CHECKED BY: SKTOH DATE: 1994/04/21 APPROVED BY: RWONG DATE: 1994/04/24			MOLEX INCORPORATED DOCUMENT NO. SD-87438-**31	
				DRAFT WHERE APPLICABLE MUST REMAIN WITHIN DIMENSIONS	SEE TABLE SIZE A3		THIS DRAWING CONTAINS INFORMATION THAT IS PROPRIETARY TO MOLEX INCORPORATED AND SHOULD NOT BE USED WITHOUT WRITTEN PERMISSION	SHEET NO. 2 OF 3

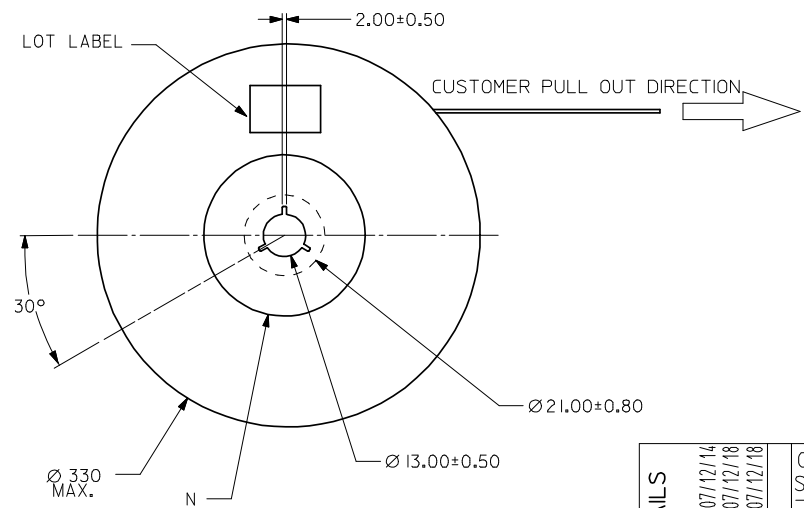
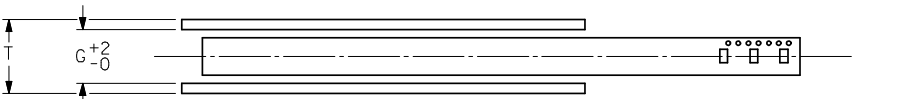
9 8 7 6 5 4 3 2 1

10	9	8	7	6	5	4	3	2	1
15	44	20.20	100	44.40	50.40				
11, 12, 13, 14	32	14.20	100	32.40	38.40				
7, 8, 9, 10	24	11.50	100	24.40	30.40				
2, 3, 4, 5, 6	16	7.50	100	16.40	22.40				
CIRCUIT SIZE	A	B	N	G	T MAX				



HEADER P/N:
87438-***41 (BEIGE)
OR 87438-***61 (BLACK)

REEL DETAILS



NOTES:

- LEADER AND TRAILER TAPE
160MIN. TOP TAPE TRAILER
390 MIN TOP TAPE
160MIN. TAIL PART (EMPTY)
230MIN. LEADER PART (EMPTY)
PULL OUT DIRECTION
- PEELING OFF FORCE OF THE TOP TAPE: 20-80gf.
(PEELING DIRECTION AS SHOWN IN FOLLOWING FIGURE)
15° MAX.
PEEL OFF DIRECTION
PULL OUT DIRECTION
- PACKAGING STANDARD IS AS PER EIA-481.
- TAPE & REEL QUANTITY = 1000PCS/REEL
- THE TAPE IS TREATED FOR ANTI-STATIC

ADD TUBE DETAILS EC NO: S2008-0476 DRWN:SKANG CHKD:ATSEE APPR:MLONG 2007/12/14 2007/12/18 2007/12/18	QUALITY SYMBOLS	GENERAL TOLERANCES (UNLESS SPECIFIED)	DIMENSION STYLE	SCALE	DESIGN UNITS	THIRD ANGLE PROJECTION															
	$\nabla=0$ $\text{C}=0$	<table border="1"> <tr> <td></td> <td>mm</td> <td>INCH</td> </tr> <tr> <td>4 PLACES</td> <td>± ---</td> <td>± ---</td> </tr> <tr> <td>3 PLACES</td> <td>± ---</td> <td>± ---</td> </tr> <tr> <td>2 PLACES</td> <td>± 0.20</td> <td>± ---</td> </tr> <tr> <td>1 PLACE</td> <td>± ---</td> <td>± ---</td> </tr> </table>		mm	INCH	4 PLACES	± ---	± ---	3 PLACES	± ---	± ---	2 PLACES	± 0.20	± ---	1 PLACE	± ---	± ---	MM ONLY	NTS	METRIC	
		mm	INCH																		
	4 PLACES	± ---	± ---																		
3 PLACES	± ---	± ---																			
2 PLACES	± 0.20	± ---																			
1 PLACE	± ---	± ---																			
DESCRIPTION	ANGULAR ± 3 °	DRAWN BY: KCLING	DATE: 1994/04/08	TITLE: 150MM PITCH, W-T-B HEADER, R/A, SMT																	
REV	DRAFT WHERE APPLICABLE MUST REMAIN WITHIN DIMENSIONS	CHECKED BY: SKTOH	DATE: 1994/04/21	MOLEX INCORPORATED																	
		APPROVED BY: RWONG	DATE: 1994/04/24	MATERIAL NO. SEE TABLE	DOCUMENT NO. SD-87438-***31	SHEET NO. 3 OF 3															
				THIS DRAWING CONTAINS INFORMATION THAT IS PROPRIETARY TO MOLEX INCORPORATED AND SHOULD NOT BE USED WITHOUT WRITTEN PERMISSION																	