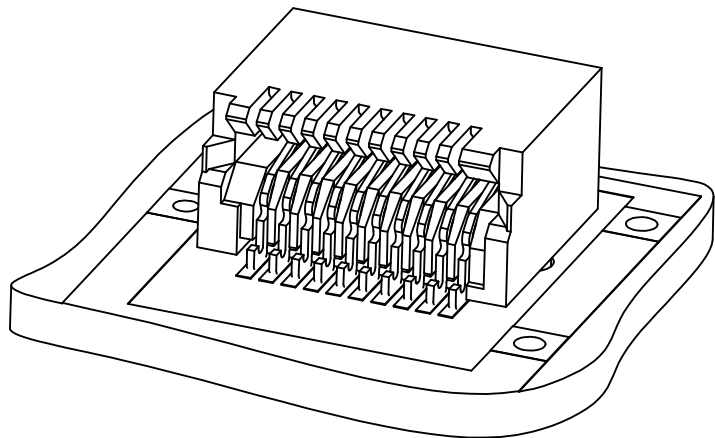


SALES ASSEMBLY DRAWINGS FOR SMALL FORM-FACTOR AND Z AXIS PLUGGABLE CONNECTORS

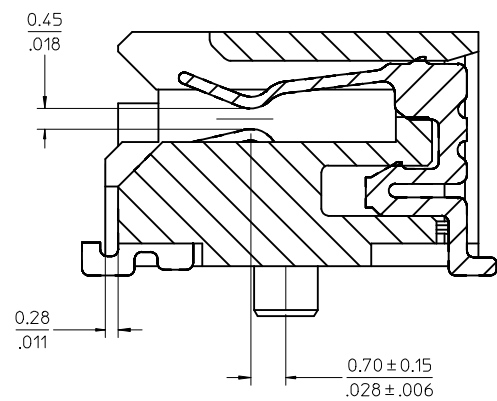
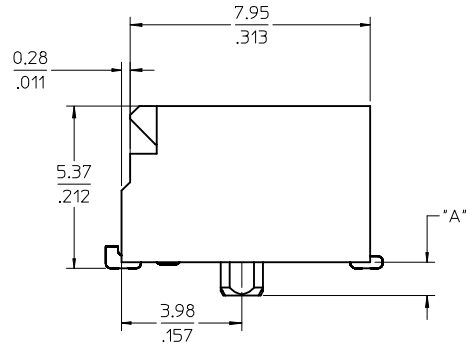
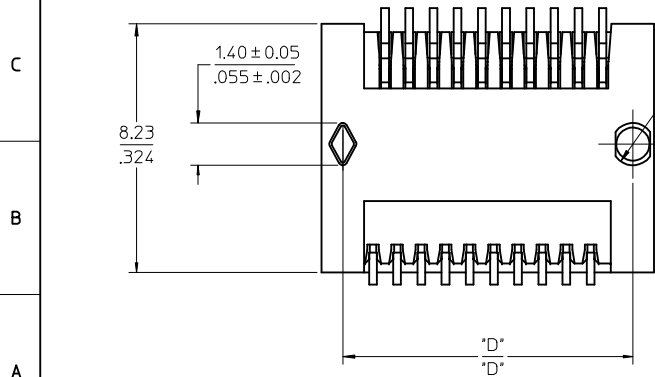
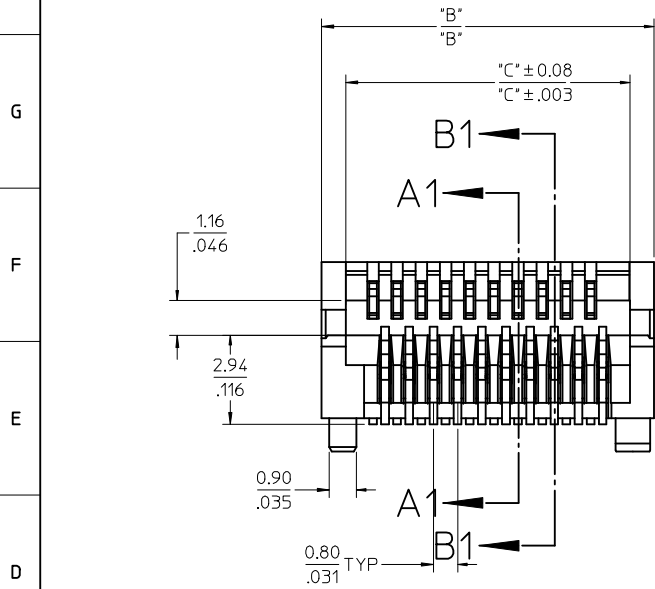
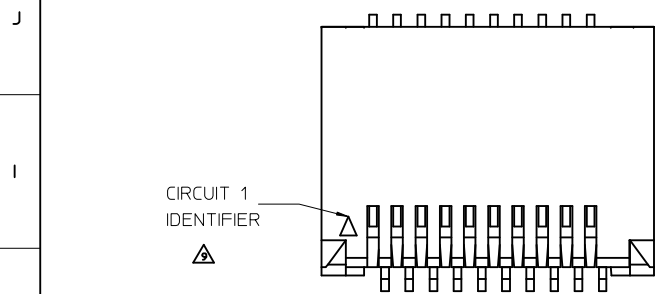
CKT SIZE	PART NUMBER	TOOLED	DESCRIPTION	"A"	"B"	"C"	"D"	MULTI-SOURCE AGREEMENT	CONNECTOR DRAWING	CIRCUIT BOARD DRAWING
20	74441-0001	YES	PLATED PER NOTE 2	1.10/.043	11.00/.433	9.40/.370	9.60/.378	SFP	PAGE 2	PAGE 3
	74441-0004	NO*	PLATED PER NOTE 2	0.76/.030						
	74441-0010	YES	PLATED PER NOTE 3	1.10/.043						
	74441-0014	NO*	PLATED PER NOTE 3	0.76/.030						
	74441-0021	YES	PLATED PER NOTE 4	1.10/.043						
	74441-0031	YES	PLATED PER NOTE 5	1.10/.043						
30	74441-0007	YES	PLATED PER NOTE 2	1.10/.043	15.00/.591	13.40/.528	13.60/.535	XFP	PAGE 2	PAGE 4
	74441-0017	YES	PLATED PER NOTE 3	1.10/.043						
	74441-0027	YES	PLATED PER NOTE 4	1.10/.043						
40	74441-0005	YES	PLATED PER NOTE 2	1.10/.043	19.00/.748	17.40/.685	17.60/.693		PAGE 2	PAGE 5
	74441-0015	YES	PLATED PER NOTE 3	1.10/.043						
	74441-0025	YES	PLATED PER NOTE 4	1.10/.043						
50	74441-0008	YES	PLATED PER NOTE 2	1.10/.043	23.00/.906	21.40/.843	21.60/.850		PAGE 2	PAGE 6
	74441-0018	YES	PLATED PER NOTE 3	1.10/.043						
	74441-0028	YES	PLATED PER NOTE 4	1.10/.043						
	74441-0038	YES	PLATED PER NOTE 5	1.10/.043						
70	74441-0003	YES	PLATED PER NOTE 2	1.10/.043	31.00/1.220	29.40/1.157	29.60/1.165	XENPAK XPAK X2	PAGE 2	PAGE 7
	74441-0013	YES	PLATED PER NOTE 3	1.10/.043						
	74441-0023	YES	PLATED PER NOTE 4	1.10/.043						
	74441-0033	YES	PLATED PER NOTE 5	1.10/.043						



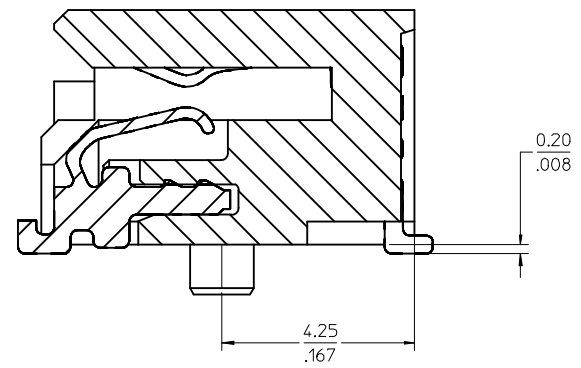
NOTES

- MATERIAL:**  
HOUSING - HIGH TEMPERATURE THERMOPLASTIC GLASS FILLED, UL 94V-0, BLACK  
TERMINALS - COPPER ALLOY
- PLATING:**  
CONTACT AREA - 0.38 μm MIN GOLD OVER 2.54 μm MIN NICKEL  
SOLDER FOOT AREA - 2.54 - 5.09 μm TIN OVER 2.54 μm MIN NICKEL.
- PLATING:**  
CONTACT AREA - 0.76 μm MIN GOLD OVER 2.54 μm NICKEL  
SOLDER AREA - 2.54 -5.09 μm TIN OVER 2.54 μm MIN NICKEL
- PLATING:**  
CONTACT AREA - 0.76 μm MIN GOLD OVER 2.54 μm NICKEL, LUBRICATED  
SOLDER AREA: GOLD FLASH OVER 2.54 μm MIN NICKEL.
- PLATING:**  
CONTACT AREA - 0.76 μm MIN GOLD OVER 2.54 μm NICKEL,  
SOLDER AREA: GOLD FLASH OVER 2.54 μm MIN NICKEL.
- PLATING:**  
CONTACT AREA - 0.38 μm MIN GOLD OVER 2.54 μm NICKEL,  
SOLDER AREA: GOLD FLASH OVER 2.54 μm MIN NICKEL.
- TERMINAL SOLDER FEET TO BE COPLANAR WITHIN 0.10/.004 FOR 20, 30 AND 40 CIRCUIT CONNECTORS  
TERMINAL SOLDER FEET TO BE COPLANAR WITHIN 0.15/.006 FOR 70 CIRCUIT CONNECTOR
- \* CONTACT PLANT FOR MORE INFORMATION
- DATE CODE: 4 DIGIT (3 DIGIT DATE, 1 DIGIT YEAR)
- CIRCUIT 1 IDENTIFIER LOCATED ON ALL PART NUMBERS

ADD -0041 EC NO: UCP2009-1455 DRWN:MS BARRA 2009/01/15 CHKD:BSMART 2009/01/15 APPR:SMILLER 2009/01/16	QUALITY SYMBOLS	GENERAL TOLERANCES (UNLESS SPECIFIED)	DIMENSION STYLE	SCALE	DESIGN UNITS	THIRD ANGLE PROJECTION
	▽=0 ▽=0	mm INCH	MM/IN	1:1	METRIC	
		4 PLACES ± --- ± --- 3 PLACES ± --- ± --- 2 PLACES ± 0.13 ± .005 1 PLACE ± 0.25 ± .010 ANGULAR ± 1/2°	DRAWN BY DATE HAVERY 00/04/06 CHECKED BY DATE KSWEENEY 00/04/06 APPROVED BY DATE MBANAKIS 00/04/06	TITLE	SALES ASSEMBLY Z AXIS PLUGGABLE PCB CONNECTOR	
		DRAFT WHERE APPLICABLE MUST REMAIN WITHIN DIMENSIONS	SEE TABLE	DOCUMENT NO.	MOLEX INCORPORATED SD-74441-001	
			SIZE	THIS DRAWING CONTAINS INFORMATION THAT IS PROPRIETARY TO MOLEX INCORPORATED AND SHOULD NOT BE USED WITHOUT WRITTEN PERMISSION		
						SHEET NO. 1 OF 7

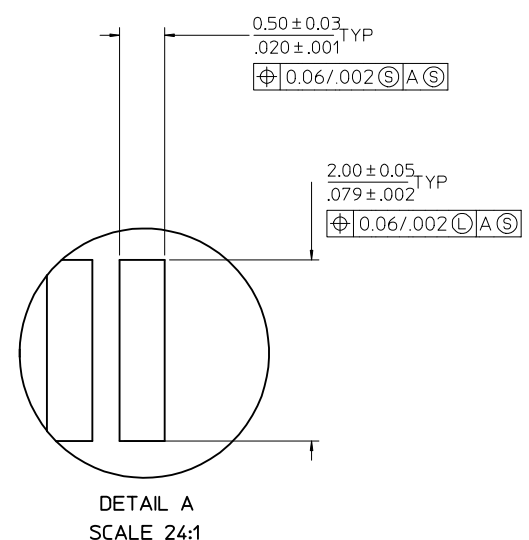
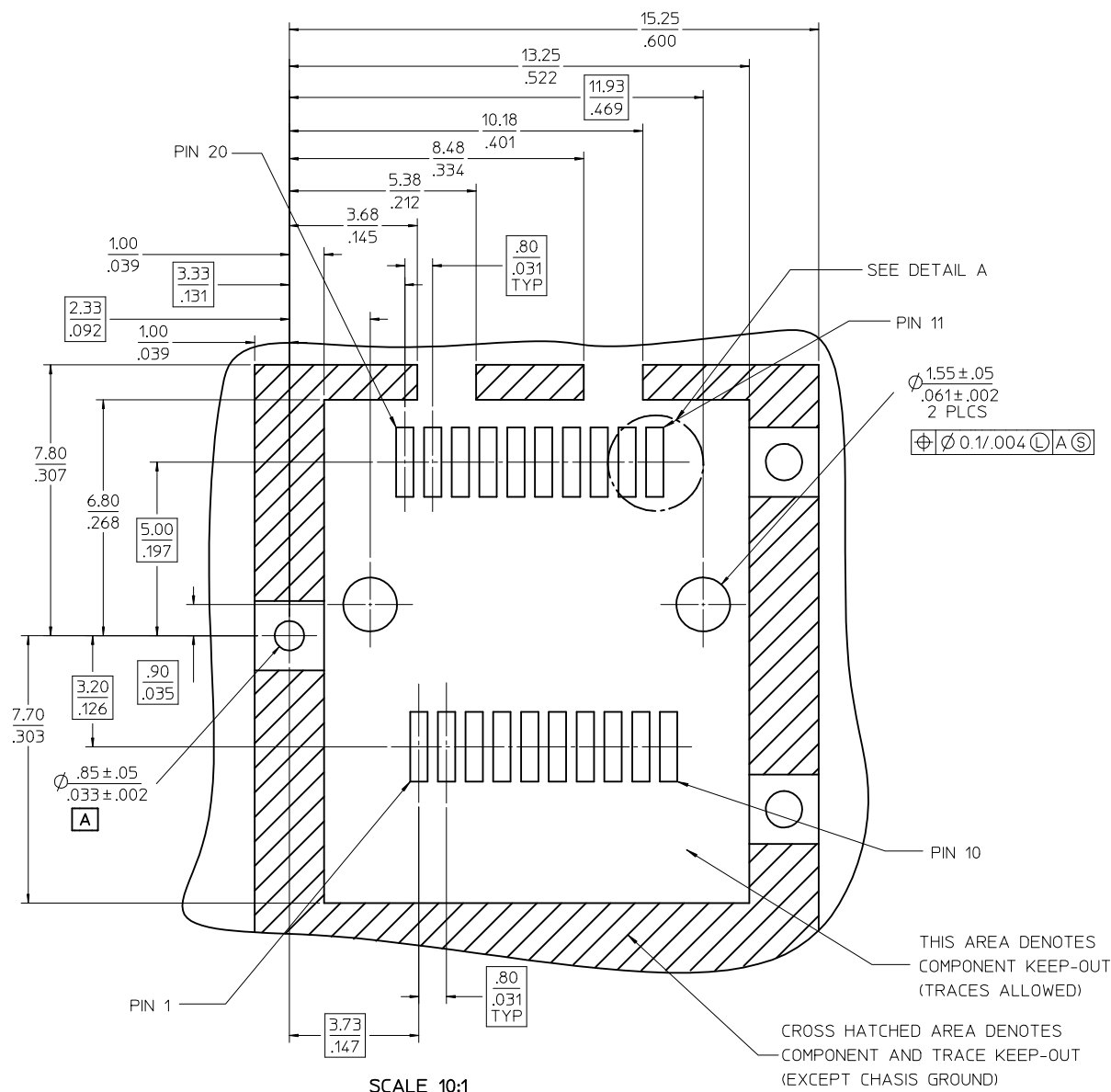


SECTION A1-A1  
SCALE 12:1



SECTION B1-B1  
SCALE 12:1

SEE SHEET 1 EC NO: UCP2009-1455 DRWN:MS BARRA 2009/01/15 CHKD:BSMART 2009/01/15 APPR:SMILLER 2009/01/16	QUALITY SYMBOLS ▽=0 ▽=0	GENERAL TOLERANCES (UNLESS SPECIFIED)		DIMENSION STYLE	SCALE	DESIGN UNITS	THIRD ANGLE PROJECTION		
				MM/IN	6:1	METRIC			
				DRAWN BY	DATE	SALES ASSEMBLY Z AXIS PLUGGABLE PCB CONNECTOR			
				CHECKED BY	DATE				
		2 PLACES ± 0.13 ± .005		APPROVED BY	DATE	MOLEX INCORPORATED SD-74441-001			
		1 PLACE ± 0.25 ± .010		MBANAKIS	00/04/06				
		ANGULAR ± 1/2°		MATERIAL NO.		DOCUMENT NO.			
		DRAFT WHERE APPLICABLE MUST REMAIN WITHIN DIMENSIONS		SEE TABLE		SHEET NO. 2 OF 7			
				THIS DRAWING CONTAINS INFORMATION THAT IS PROPRIETARY TO MOLEX INCORPORATED AND SHOULD NOT BE USED WITHOUT WRITTEN PERMISSION					



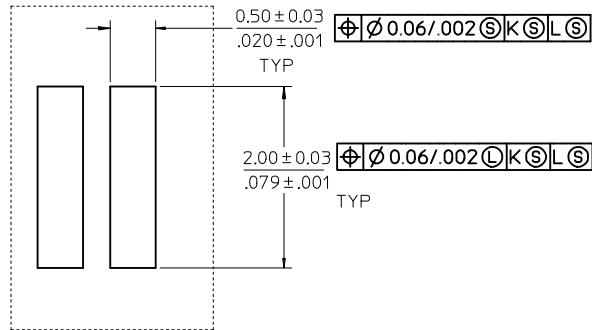
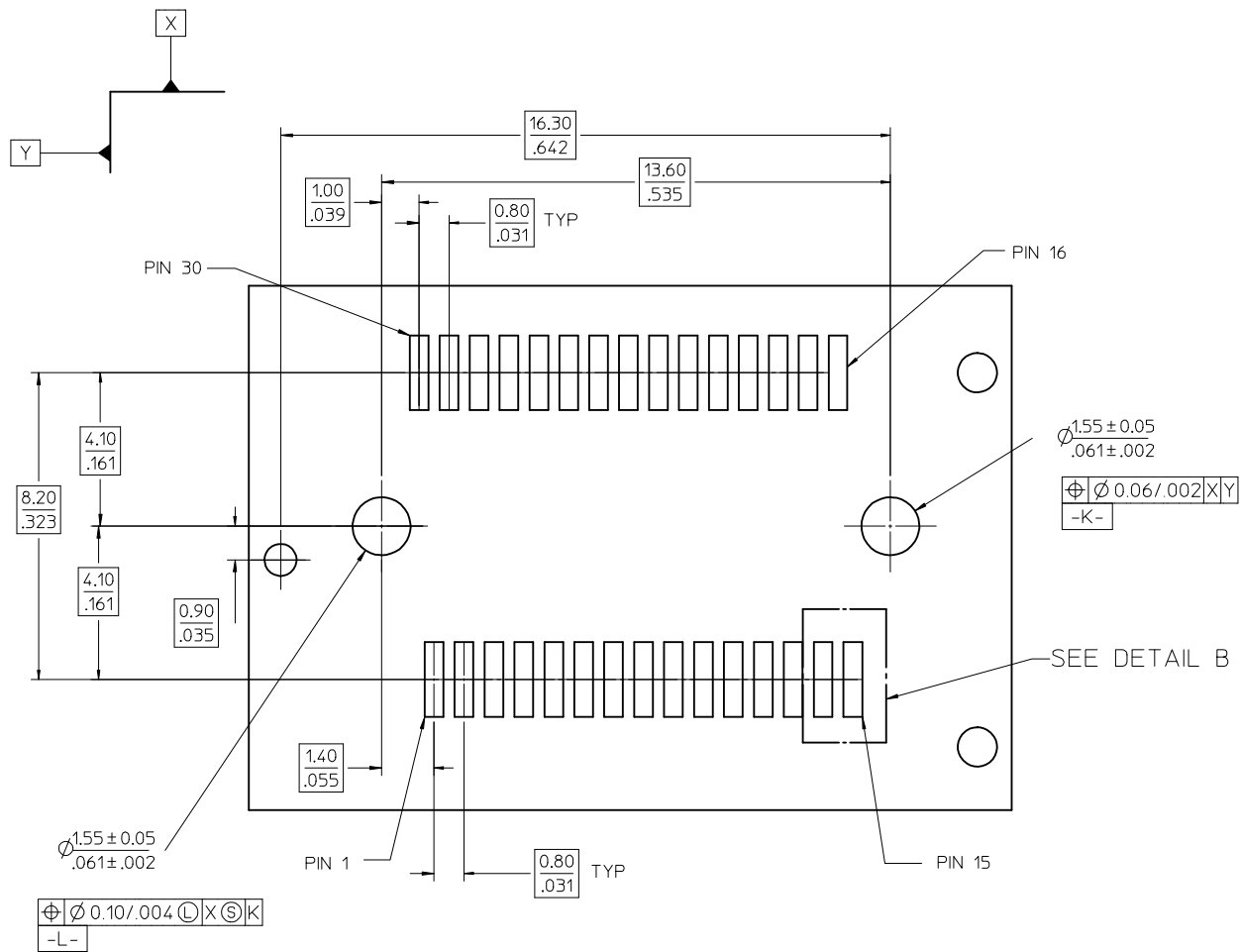
# 20 CIRCUIT MOTHER BOARD RECOMMENDED PCB LAYOUT

SEE SHEET 1 EC NO: UCP2009-1455 DRAWN BY: IBARRA CHKD BY: SMART APPR: MILLER	2009/01/15	2009/01/15	2009/01/16
	DESCRIPTION		
	REV		

QUALITY SYMBOLS	
▽=0	
▽=0	
GENERAL TOLERANCES (UNLESS SPECIFIED)	
mm	INCH
4 PLACES ± .005	± .0005
3 PLACES ± .005	± .0005
2 PLACES ± 0.13	± .005
1 PLACE ± 0.25	± .010
ANGULAR ± 1/2°	
DRAFT WHERE APPLICABLE MUST REMAIN WITHIN DIMENSIONS	

DIMENSION STYLE	
MM/IN	
DRAWN BY	DATE
HAVERY	00/04/06
CHECKED BY	DATE
KSWEENEY	00/04/06
APPROVED BY	DATE
MBANAKIS	00/04/06
MATERIAL NO.	
SEE TABLE	
SIZE	
C	

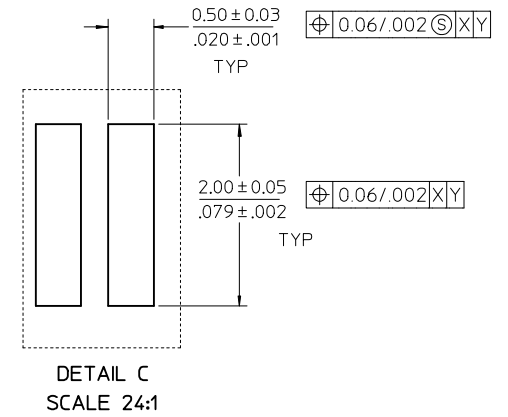
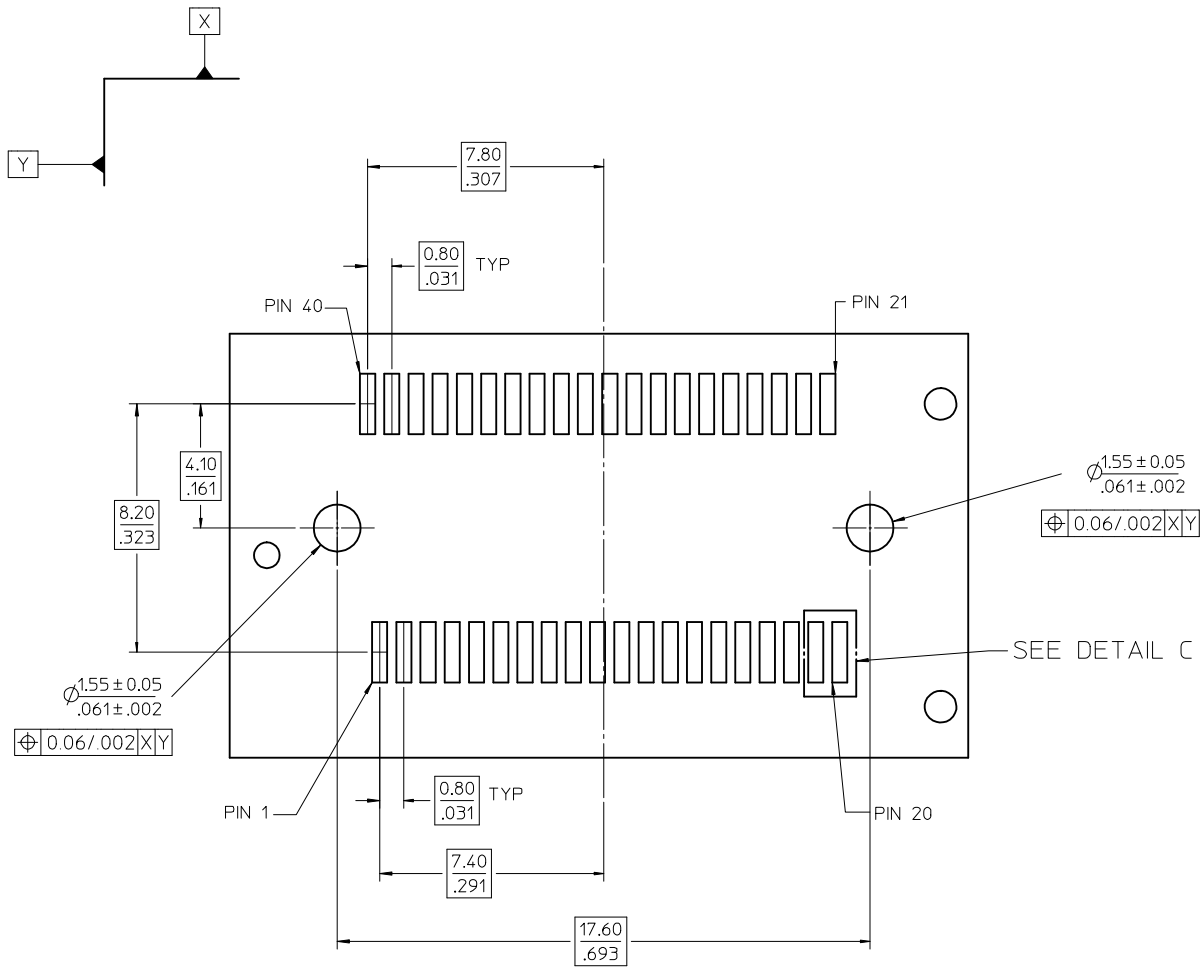
SCALE	DESIGN UNITS	THIRD ANGLE PROJECTION
8:1	METRIC	☉
TITLE		
SALES ASSEMBLY Z AXIS PLUGGABLE PCB CONNECTOR		
MOLEX INCORPORATED		SHEET NO.
DOCUMENT NO.		3 OF 7
SD-74441-001		
THIS DRAWING CONTAINS INFORMATION THAT IS PROPRIETARY TO MOLEX INCORPORATED AND SHOULD NOT BE USED WITHOUT WRITTEN PERMISSION		



DETAIL B  
SCALE 24:1

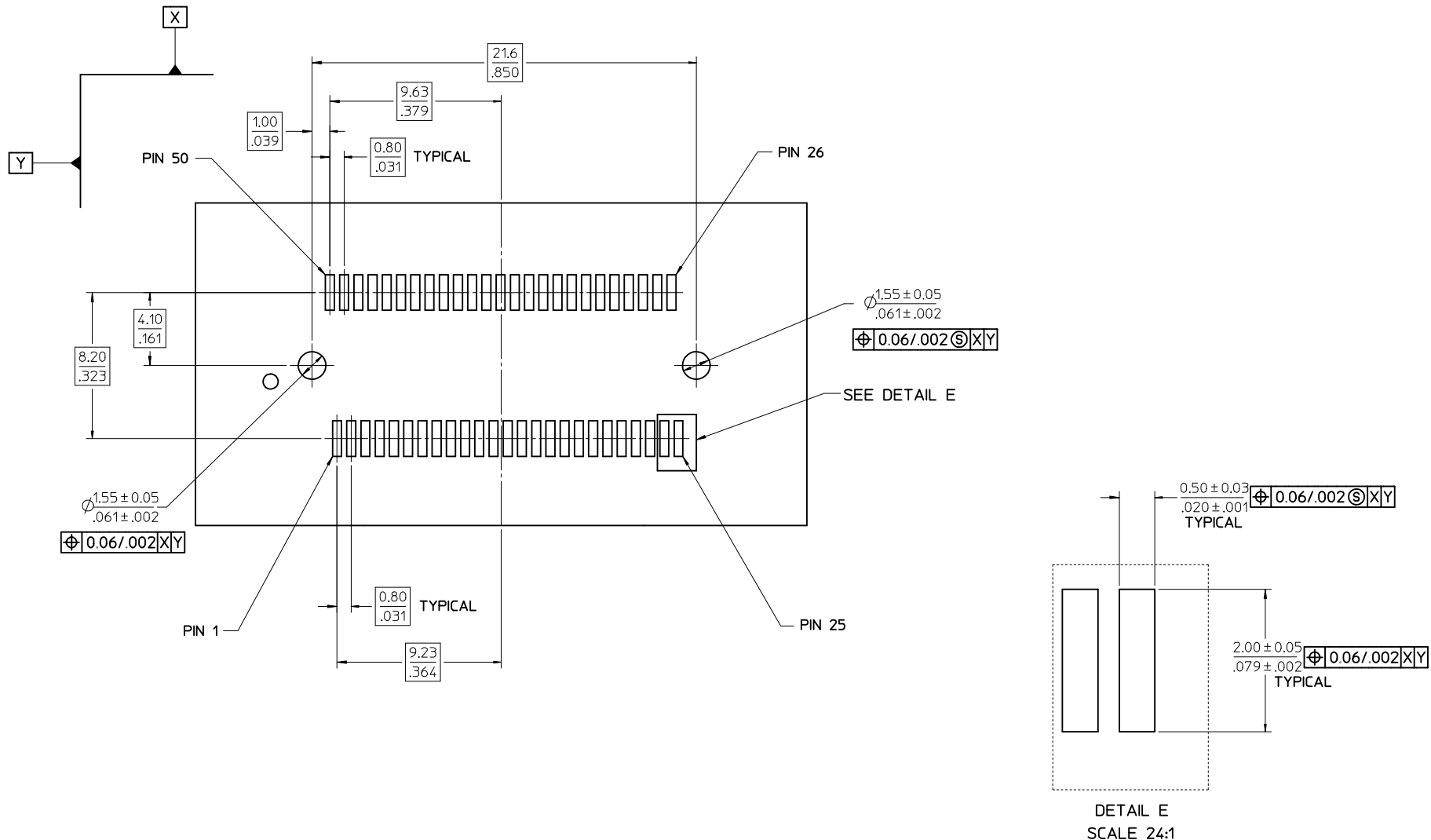
30 CIRCUIT MOTHER BOARD  
RECOMMENDED PCB LAYOUT

<b>SEE SHEET 1</b> EC NO: UCP2009-1455 DRWN:MS BARRA 2009/01/15 CHYK:BSMART 2009/01/15 APPR:SMILLER 2009/01/16	QUALITY SYMBOLS ▽=0 ▽=0	GENERAL TOLERANCES (UNLESS SPECIFIED) <table border="1"> <tr> <th></th> <th>mm</th> <th>INCH</th> </tr> <tr> <td>4 PLACES</td> <td>± .005</td> <td>± .0004</td> </tr> <tr> <td>3 PLACES</td> <td>± .008</td> <td>± .0003</td> </tr> <tr> <td>2 PLACES</td> <td>± .013</td> <td>± .0005</td> </tr> <tr> <td>1 PLACE</td> <td>± .025</td> <td>± .0010</td> </tr> </table>		mm	INCH	4 PLACES	± .005	± .0004	3 PLACES	± .008	± .0003	2 PLACES	± .013	± .0005	1 PLACE	± .025	± .0010	DIMENSION STYLE <b>MM/IN</b> DRAWN BY: HAVERY DATE: 00/04/06 CHECKED BY: KSWEENEY DATE: 00/04/06 APPROVED BY: MBANAK I S DATE: 00/04/06	SCALE <b>6:1</b> DESIGN UNITS <b>METRIC</b> THIRD ANGLE PROJECTION	TITLE <b>SALES ASSEMBLY Z AXIS PLUGGABLE PCB CONNECTOR</b> <b>MOLEX INCORPORATED</b> MATERIAL NO. <b>SEE TABLE</b> DOCUMENT NO. <b>SD-74441-001</b> SHEET NO. <b>4 OF 7</b>
		mm	INCH																	
	4 PLACES	± .005	± .0004																	
	3 PLACES	± .008	± .0003																	
2 PLACES	± .013	± .0005																		
1 PLACE	± .025	± .0010																		
DRAFT WHERE APPLICABLE MUST REMAIN WITHIN DIMENSIONS		SIZE <b>C</b>	THIS DRAWING CONTAINS INFORMATION THAT IS PROPRIETARY TO MOLEX INCORPORATED AND SHOULD NOT BE USED WITHOUT WRITTEN PERMISSION																	



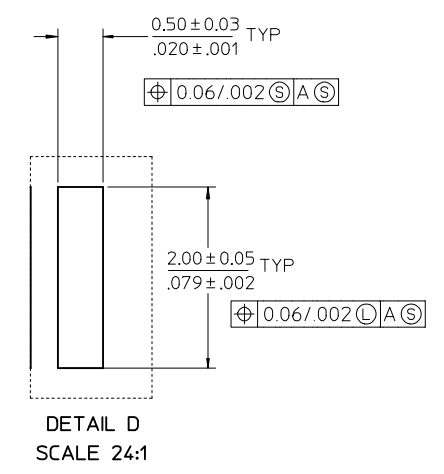
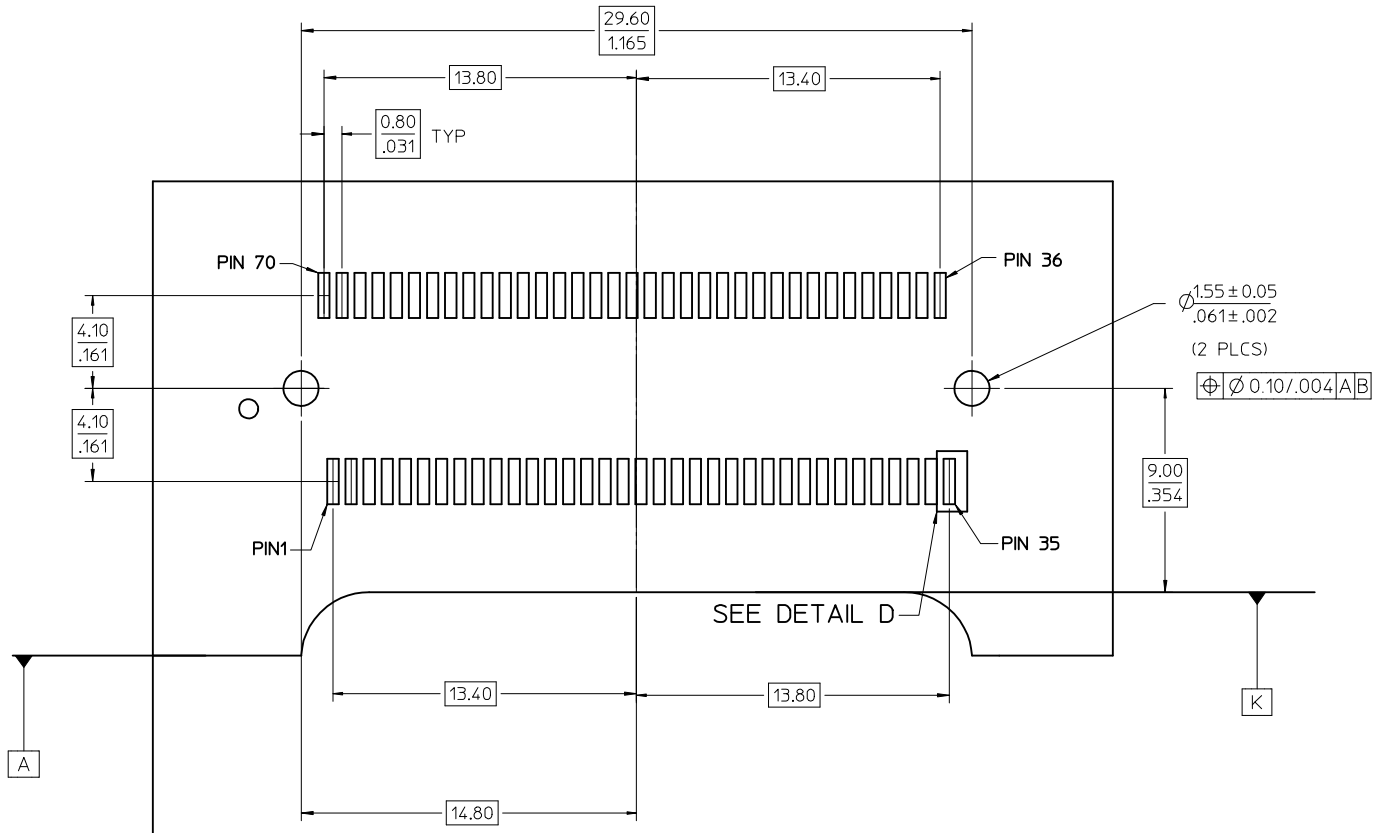
40 CIRCUIT MOTHER BOARD  
RECOMMENDED PCB LAYOUT

<b>SEE SHEET 1</b> EC NO: UCP2009-1455 DRWN:MSI BARRA 2009/01/15 CHKD:BSMART 2009/01/15 APPR:SMILLER 2009/01/16	QUALITY SYMBOLS ▽=0 ▽=0	GENERAL TOLERANCES (UNLESS SPECIFIED) <table border="1"> <thead> <tr> <th></th> <th>mm</th> <th>INCH</th> </tr> </thead> <tbody> <tr> <td>4 PLACES</td> <td>± .13</td> <td>± .005</td> </tr> <tr> <td>3 PLACES</td> <td>± .13</td> <td>± .005</td> </tr> <tr> <td>2 PLACES</td> <td>± 0.25</td> <td>± .010</td> </tr> <tr> <td>1 PLACE</td> <td>± 0.25</td> <td>± .010</td> </tr> </tbody> </table>		mm	INCH	4 PLACES	± .13	± .005	3 PLACES	± .13	± .005	2 PLACES	± 0.25	± .010	1 PLACE	± 0.25	± .010	DIMENSION STYLE <b>MM/IN</b> DRAWN BY: HAVERY DATE: 00/04/06 CHECKED BY: KSWENEY DATE: 00/04/06 APPROVED BY: MBANAKIS DATE: 00/04/06	SCALE <b>6:1</b> DESIGN UNITS <b>METRIC</b> THIRD ANGLE PROJECTION	TITLE <b>SALES ASSEMBLY Z AXIS PLUGGABLE PCB CONNECTOR</b> <b>MOLEX INCORPORATED</b> DOCUMENT NO. SD-74441-001	SHEET NO. <b>5 OF 7</b>
		mm	INCH																		
	4 PLACES	± .13	± .005																		
	3 PLACES	± .13	± .005																		
2 PLACES	± 0.25	± .010																			
1 PLACE	± 0.25	± .010																			
DRAFT WHERE APPLICABLE MUST REMAIN WITHIN DIMENSIONS	MATERIAL NO. <b>SEE TABLE</b>	THIS DRAWING CONTAINS INFORMATION THAT IS PROPRIETARY TO MOLEX INCORPORATED AND SHOULD NOT BE USED WITHOUT WRITTEN PERMISSION																			



50 CIRCUIT MOTHER BOARD  
RECOMMENDED PCB LAYOUT

SEE SHEET 1 EC NO: UCP2009-1455 DRAWN BY: IBARRA 2009/01/15 CHKD BY: SMART 2009/01/15 APPR: MILLER 2009/01/16	QUALITY SYMBOLS	GENERAL TOLERANCES (UNLESS SPECIFIED)	DIMENSION STYLE	SCALE	DESIGN UNITS	THIRD ANGLE PROJECTION															
	▼=0 ▽=0	<table border="1"> <thead> <tr> <th></th> <th>mm</th> <th>INCH</th> </tr> </thead> <tbody> <tr> <td>4 PLACES</td> <td>± .13</td> <td>± .005</td> </tr> <tr> <td>3 PLACES</td> <td>± .13</td> <td>± .005</td> </tr> <tr> <td>2 PLACES</td> <td>± 0.25</td> <td>± .010</td> </tr> <tr> <td>1 PLACE</td> <td>± 0.25</td> <td>± .010</td> </tr> </tbody> </table> ANGULAR ±1/2°		mm	INCH	4 PLACES	± .13	± .005	3 PLACES	± .13	± .005	2 PLACES	± 0.25	± .010	1 PLACE	± 0.25	± .010	MM/IN DRAWN BY: HAVERY DATE: 00/04/06 CHECKED BY: KSWEENEY DATE: 00/04/06 APPROVED BY: MBANAKIS DATE: 00/04/06	6:1	METRIC	M THIRD ANGLE PROJECTION
		mm	INCH																		
	4 PLACES	± .13	± .005																		
3 PLACES	± .13	± .005																			
2 PLACES	± 0.25	± .010																			
1 PLACE	± 0.25	± .010																			
	DRAFT WHERE APPLICABLE MUST REMAIN WITHIN DIMENSIONS	SEE TABLE	MOLEX INCORPORATED DOCUMENT NO. SD-74441-001	SHEET NO. 6 OF 7																	
		THIS DRAWING CONTAINS INFORMATION THAT IS PROPRIETARY TO MOLEX INCORPORATED AND SHOULD NOT BE USED WITHOUT WRITTEN PERMISSION																			



70 CIRCUIT MOTHER BOARD  
RECOMMENDED PCB LAYOUT

SEE SHEET 1 EC NO: UCP2009-1455 2009/01/15 DRAWN BY: BARRA 2009/01/15 CHKD BY: SMART 2009/01/16 APPR: MILLER	QUALITY SYMBOLS ▽=0 ▽=0	GENERAL TOLERANCES (UNLESS SPECIFIED)		DIMENSION STYLE MM/IN		SCALE 6:1	DESIGN UNITS METRIC	THIRD ANGLE PROJECTION			
		4 PLACES ± --- ± ---	3 PLACES ± --- ± ---	2 PLACES ± 0.13 ± .005	1 PLACE ± 0.25 ± .010	DRAWN BY HAVERY	DATE 00/04/06	TITLE SALES ASSEMBLY Z AXIS PLUGGABLE PCB CONNECTOR			
		ANGULAR ±1/2°		DRAFT WHERE APPLICABLE MUST REMAIN WITHIN DIMENSIONS		CHECKED BY KSWEENEY	DATE 00/04/06	MOLEX INCORPORATED			
		MATERIAL NO. SEE TABLE		SIZE C		APPROVED BY MBANAKIS	DATE 00/04/06	DOCUMENT NO. SD-74441-001	SHEET NO. 7 OF 7		