

FEATURES AND SPECIFICATIONS

Features and Benefits

- Housing is compatible with SMT processing
- Blanked tuning fork terminal, smooth contact surface
- Optimum tail true position control
- Date-coded assembly
- Fork lock retention to board

Reference Information

Product Specification: PS-79058
 UL File No.: E29179
 CSA File No.: LR19980A-281
 Designed In: Inches

Electrical

Voltage: 30V
 Current: 1.0A
 Contact Resistance: 25mΩ max.
 Dielectric Withstanding Voltage: 500V AC
 Insulation Resistance: 1000 MΩ min.

Mechanical

Mating Force: 5.3 oz max.
 Unmating Force: 1.0 oz min.
 Normal Force: 100g

Physical

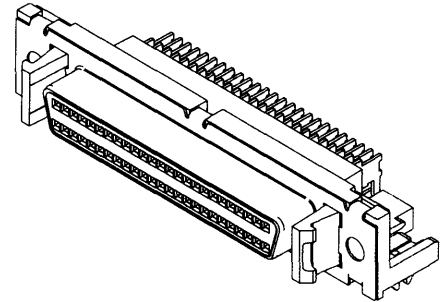
Housing: Black high-temperature thermoplastic, UL 94V-0
 Contact: Phosphor Bronze
 Plating: 30μ" Gold in contact area, 75μ" Tin/Lead on solder tails, all over Nickel overall
 Operating Temperature: -55 to +105°C

molex® 1.27mm (.050") Pitch
SCSI+

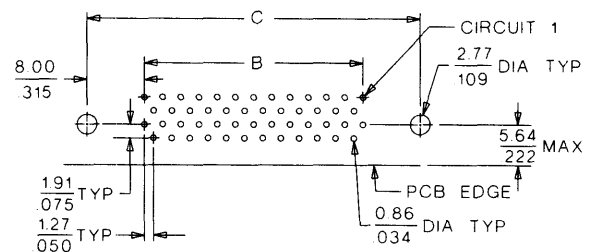
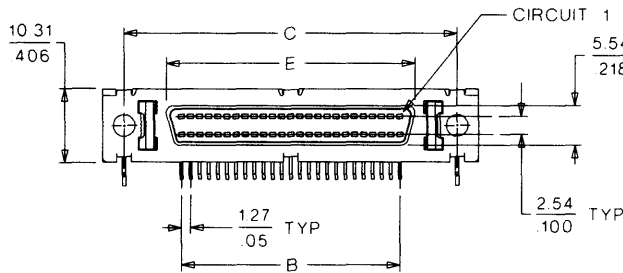
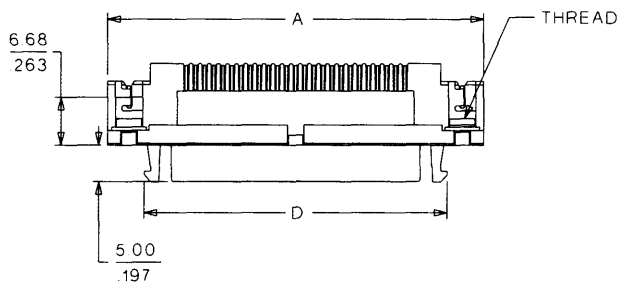
Shielded Receptacle

79059

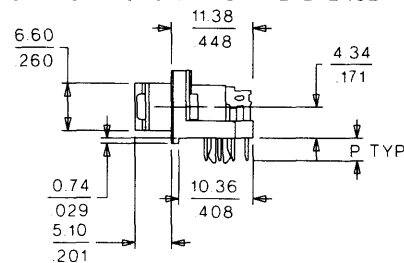
Right Angle with Latches



CATALOG DRAWING (FOR REFERENCE ONLY)



PCB LAYOUT COMPONENT SIDE
 RECOMMENDED PCB THICKNESS. SEE TABLE
 50 CIRCUIT SHOWN FOR REFERENCE



ORDERING INFORMATION AND DIMENSIONS

Circuits	Order No.		Thread	Dimension						Recommended PCB Thickness
	Automatic*	Manual**		A	B	C	D	E	P	
50	15-87-6050	79059-2701	4-40	52.54 (2.065)	30.48 (1.200)	46.48 (1.830)	42.29 (1.665)	34.69 (1.366)	3.18 (.125)	1.57 (.062)
	15-87-6051	79059-2707		52.54 (2.065)	30.48 (1.200)	46.48 (1.830)	42.29 (1.665)	34.69 (1.366)	3.18 (.125)	2.36 (.093)
	15-87-6052	79059-2711		52.54 (2.065)	30.48 (1.200)	46.48 (1.830)	42.29 (1.665)	34.69 (1.366)	4.19 (.165)	3.18 (.125)
	15-87-6010	79059-2720	2-56	52.54 (2.065)	30.48 (1.200)	46.48 (1.830)	42.29 (1.665)	34.69 (1.366)	3.18 (.125)	1.57 (.062)
	15-87-6011	79059-2726		52.54 (2.065)	30.48 (1.200)	46.48 (1.830)	42.29 (1.665)	34.69 (1.366)	3.18 (.125)	2.36 (.093)
	15-87-6012	79059-2730		52.54 (2.065)	30.48 (1.200)	46.48 (1.830)	42.29 (1.665)	34.69 (1.366)	4.19 (.165)	3.18 (.125)
68	15-87-6020	79059-2702	4-40	63.88 (2.515)	41.91 (1.650)	57.91 (2.280)	53.72 (2.115)	46.13 (1.816)	3.18 (.125)	1.57 (.062)
	15-87-6021	79059-2708		63.88 (2.515)	41.91 (1.650)	57.91 (2.280)	53.72 (2.115)	46.13 (1.816)	3.18 (.125)	2.36 (.093)
	15-87-6022	79059-2712		63.88 (2.515)	41.91 (1.650)	57.91 (2.280)	53.72 (2.115)	46.13 (1.816)	4.19 (.165)	3.18 (.125)
	15-87-6023	79059-2721	2-56	63.88 (2.515)	41.91 (1.650)	57.91 (2.280)	53.72 (2.115)	46.13 (1.816)	3.18 (.125)	1.57 (.062)
	15-87-6024	79059-2727		63.88 (2.515)	41.91 (1.650)	57.91 (2.280)	53.72 (2.115)	46.13 (1.816)	3.18 (.125)	2.36 (.093)
	15-87-6025	79059-2731		63.88 (2.515)	41.91 (1.650)	57.91 (2.280)	53.72 (2.115)	46.13 (1.816)	4.19 (.165)	3.18 (.125)

* For automatic placement of screw hardware

** For manual placement of screw hardware