

Elektrische Eigenschaften

Electrical properties

Höchstzulässige Werte

Maximum rated values

V_{CES}		600	V
V_{ECS}		5	V
I_C		8	A
I_{CRM}	$t_p = 1 \text{ ms}$	16	A
P_{tot}	$t_C = 25^\circ\text{C}$	30	W
V_{GE}		20	V
V_{EG}		20	V

Charakteristische Werte

Characteristic values

$V_{CE \text{ sat}}$	$i_{CM} = 8 \text{ A}, V_{GE} = 15 \text{ V}, t_{vj} = 25^\circ\text{C}$	typ.	3	V	
	$i_{CM} = 8 \text{ A}, V_{GE} = 15 \text{ V}, t_{vj} = 25^\circ\text{C}$		max.	4	V
$V_{GE (th)}$	$V_{CE} = 5 \text{ V}, i_C = 8 \text{ mA}, t_{vj} = 25^\circ\text{C}$		min.	3	V
	$V_{CE} = 5 \text{ V}, i_C = 8 \text{ mA}, t_{vj} = 25^\circ\text{C}$		max.	6	V
C_{ies}	$V_{CE} = 10 \text{ V}, V_{GE} = 0 \text{ V}, f_o = 1 \text{ MHz}, t_{vj} = 25^\circ\text{C}$		typ.	0,65	nF
	$V_{CE} = 600 \text{ V}, V_{GE} = 0 \text{ V}, t_{vj} = 25^\circ\text{C}$		typ.	0,1	mA
i_{CES}	$V_{CE} = 600 \text{ V}, V_{GE} = 0 \text{ V}, t_{vj} = 125^\circ\text{C}$		typ.	1	mA
	$V_{CE} = 600 \text{ V}, V_{GE} = 0 \text{ V}, t_{vj} = 125^\circ\text{C}$		typ.	50	nA
i_{GES}	$V_{GE} = 20 \text{ V}, t_{vj} = 25^\circ\text{C}$		typ.	500	nA
	$V_{GE} = 20 \text{ V}, t_{vj} = 25^\circ\text{C}$		max.	500	nA
i_{EGS}	$V_{EG} = 20 \text{ V}, t_{vj} = 25^\circ\text{C}$		typ.	50	nA
	$V_{EG} = 20 \text{ V}, t_{vj} = 25^\circ\text{C}$		max.	500	nA
t_{on}	$i_{CM} = 8 \text{ A}, V_{CE} = 300 \text{ V}, V_{LF} = 15 \text{ V}, R_G = 150 \Omega, t_{vj} = 25^\circ\text{C}$		typ.	0,4	μs
	$i_{CM} = 8 \text{ A}, V_{CE} = 300 \text{ V}, V_{LF} = 15 \text{ V}, R_G = 150 \Omega, t_{vj} = 125^\circ\text{C}$		typ.	0,5	μs
t_s	$i_{CM} = 8 \text{ A}, V_{CE} = 300 \text{ V}, V_{LF} = 15 \text{ V}, V_{LR} = 15 \text{ V}, R_G = 150 \Omega, t_{vj} = 25^\circ\text{C}$		typ.	0,4	μs
	$i_{CM} = 8 \text{ A}, V_{CE} = 300 \text{ V}, V_{LF} = 15 \text{ V}, V_{LR} = 15 \text{ V}, R_G = 150 \Omega, t_{vj} = 125^\circ\text{C}$		typ.	0,5	μs
	$i_{CM} = 8 \text{ A}, V_{CE} = 300 \text{ V}, V_{LF} = 15 \text{ V}, V_{LR} = 15 \text{ V}, R_G = 150 \Omega, t_{vj} = 25^\circ\text{C}$		typ.	0,15	μs
	$i_{CM} = 8 \text{ A}, V_{CE} = 300 \text{ V}, V_{LF} = 15 \text{ V}, V_{LR} = 15 \text{ V}, R_G = 150 \Omega, t_{vj} = 125^\circ\text{C}$		typ.	0,25	μs

Thermische Eigenschaften

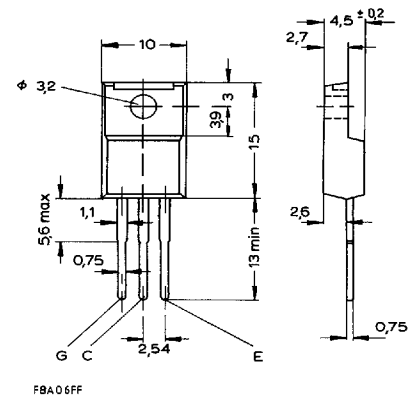
Thermal properties

R_{thJC}	DC	4	$^\circ\text{C/W}$
$t_{vj \text{ max}}$			150 $^\circ\text{C}$
$t_{vj \text{ op}}$			- 40 / + 150 $^\circ\text{C}$
t_{stg}			- 40 / + 125 $^\circ\text{C}$

Mechanische Eigenschaften

Mechanical properties

G	1,7 g
---	-------



F8A06FF