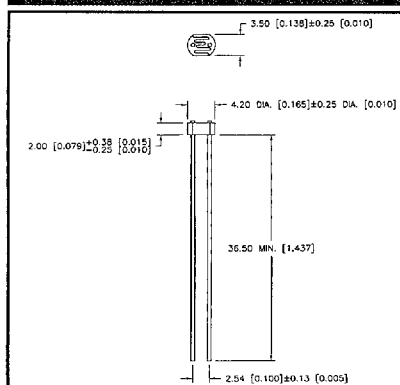
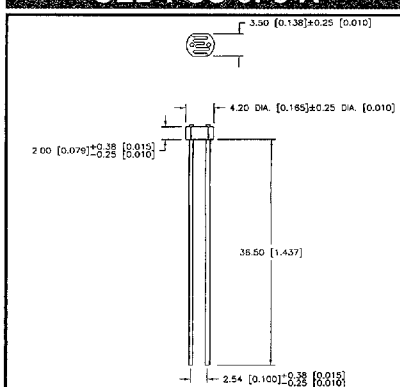


## OED-PCC-9P5-0



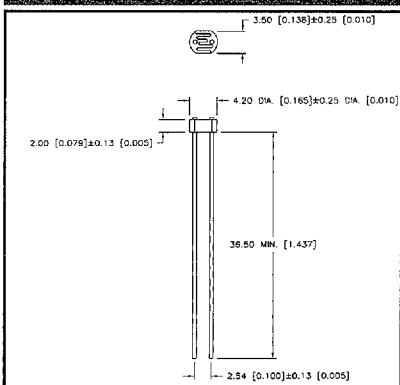
Package Style	AC (V) Max	Measurement (Volts)	λP (nm) Response	Resistance KΩ @ 10 Lux		Dark Resistance MΩ Min After 2 sec.	t-opr (°C)
				Min	Max		
T4.2 Ceramic	100	10	550	60	140	5.0	-25 ~ + 75

## OED-PCC-9P5-A



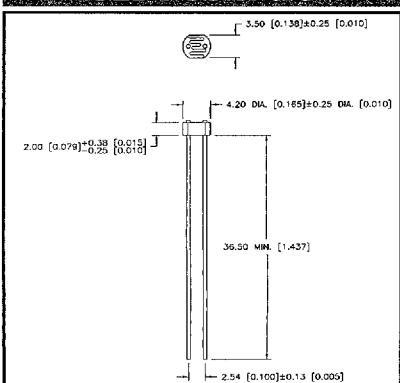
Package Style	AC (V) Max	Measurement (Volts)	λP (nm) Response	Resistance KΩ @ 10 Lux		Dark Resistance MΩ Min After 2 sec.	t-opr (°C)
				Min	Max		
T4.2 Ceramic	250	35	550	50	130	10.0	-25 ~ + 75

## OED-PCC-9P5-B



Package Style	AC (V) Max	Measurement (Volts)	λP (nm) Response	Resistance KΩ @ 10 Lux		Dark Resistance MΩ Min After 2 sec.	t-opr (°C)
				Min	Max		
T4.2 Ceramic	250	35	550	110	220	10.0	-25 ~ + 75

## OED-PCC-9P5-C



Package Style	AC (V) Max	Measurement (Volts)	λP (nm) Response	Resistance KΩ @ 10 Lux		Dark Resistance MΩ Min After 2 sec.	t-opr (°C)
				Min	Max		
T4.2 Ceramic	250	35	550	200	350	10.0	-25 ~ + 75