

**PLEASE CHECK WWW.MOLEX.COM FOR LATEST PART INFORMATION**

**Part Number:** **0595875010**  
**Status:** **Active**  
**Description:** CRC™ Shielded Rectangular I/O Plug Cover A, For Plug Assembly, Signal, 50 Circuits

**Documents:**

[Drawing \(PDF\)](#)  
[Product Specification PS-51238-016 \(PDF\)](#)  
[Product Specification PS-51238-017 \(PDF\)](#)  
[Product Specification PS-51300-001 \(PDF\)](#)  
[RoHS Certificate of Compliance \(PDF\)](#)

**General**

Product Family	I/O Connectors
Series	59587
Application	Wire-to-Wire
Component Type	Plug Cover
Product Name	CRC™
Type	N/A

**Physical**

Boot Color	N/A
Circuits (Loaded)	N/A
Circuits (maximum)	50
Durability (mating cycles max)	100
Gender	Plug
Keying to Mating Part	Yes
Lock to Mating Part	Yes
Material - Metal	Zinc Alloy
Material - Plating Mating	n/a
Orientation	Vertical
PCB Locator	No
Packaging Type	Bag
Panel Mount	No
Pitch - Mating Interface (in)	0.000 In
Pitch - Mating Interface (mm)	0.00 mm
Polarized to Mating Part	N/A
Polarized to PCB	N/A
Surface Mount Compatible (SMC)	No
Temperature Range - Operating	-40°C to +105°C
Termination Interface: Style	N/A
Waterproof / Dustproof	No

**Electrical**

Current - Maximum per Contact	1.5A, 1A, 2.5A, 2A
Shielded	No
Voltage - Maximum	250V AC (RMS)/DC

**Material Info**

**Reference - Drawing Numbers**

Product Specification	PS-51238-016, PS-51238-017, PS-51300-001
Sales Drawing	SD-59587-003



*image - Reference only*

**EU RoHS**  
**ELV and RoHS**  
**Compliant**  
**REACH SVHC**  
 Not Reviewed  
**Halogen-Free**  
**Status**  
 Not Reviewed

**China RoHS**



**Need more information on product environmental compliance?**

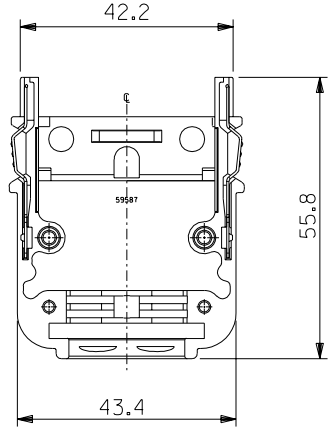
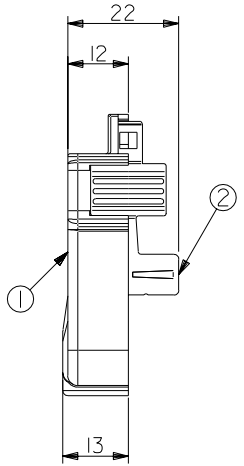
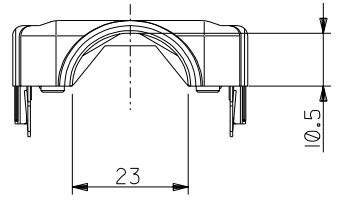
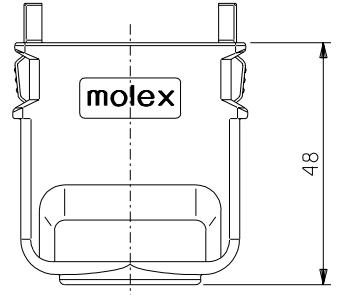
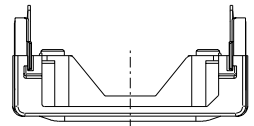
Email [productcompliance@molex.com](mailto:productcompliance@molex.com)  
 For a multiple part number RoHS Certificate of Compliance, [click here](#)

Please visit the [Contact Us](#) section for any non-product compliance questions.

**Search Parts in this Series**  
 59587Series

**Use With**  
 51234-501\* and 51239-501\* plug housing|  
 54332-500\* and 55836-500\* plug assembly set

DWG. NO.  
SD-59587-003



注記  
NOTES

- 材質  
MATERIAL  
① カバー A : 亜鉛合金, ニッケルメッキ  
COVER A : ZINC ALLOY, NI PLATING  
② スプリングラッチ : ステンレス鋼 t0.5  
SPRING LATCH : STAINLESS STEEL t0.5
- 適用プラグカバー B : 59588-5000  
APPLICABLE PLUG COVER B : 59588-5000

59587-5010	59587-***1*
MATERIAL NO.	MODEL NO.

DO NOT SCALE DRAWING

EC NO. DRWN: CHK: APPR:	EC NO. DRWN: CHK: APPR:	EC NO. DRWN: CHK: APPR:	REVISED '02/06/03 EC NO. J2002-3016 DRWN: S.AKIYAMA CHK: J.MIYAZAWA APPR: YO.ITO	RELEASED '02/02/04 EC NO. J2002-1828 DRWN: S.AKIYAMA CHK: J.MIYAZAWA APPR: YO.ITO
A				

MATERIAL 材料	注記参照 SEE NOTES
FINISH 仕上げ	#
WIRE RANGE 適用線径範囲	#
INS. RANGE 被覆外径	#

GENERAL TOLERANCES: (UNLESS SPECIFIED) 一般公差	SCALE	DESIGN UNITS
10 UNDER 未満	1:1	mm <input checked="" type="checkbox"/> INCH <input type="checkbox"/>
10 OVER 30 UNDER 以上 未満		
30 OVER 以上		
ANGLE 角度		

DRAWN BY & DATE <i>S. Akiyama</i> '02/01/22	TITLE:
CHECKED BY & DATE <i>J. Mizuno</i> '02/02/04	COMPACT ROBOT CONN. 50CKT. PLUG COVER A
APPROVED BY & DATE <i>Y. Ito</i> '02/02/04	MOLEX INCORPORATED
CAD FILENAME 59587003.S01	MATERIAL NO. SEE CHART

DIMENSIONS:	SHT	REV
<input type="checkbox"/> mm <input type="checkbox"/> INCH		REVISE ON CAD ONLY
THIRD ANGLE PROJECTION		
MATERIAL NO. DRAWING NO. SHEET NO.		
59587003.S01 SD-59587-003 1 OF 1		

THIS DRAWING CONTAINS INFORMATION THAT IS PROPRIETARY TO MOLEX INCORPORATED AND SHOULD NOT BE USED WITHOUT WRITTEN PERMISSION. SIZE B