

PLEASE CHECK WWW.MOLEX.COM FOR LATEST PART INFORMATION

Part Number: [0393740906](#)
Status: **Active**
Description: 7.50mm (.295") Beau™ Eurostyle™ Pluggable PCB Terminal Block, 270° Wire Entry, 6 Circuits

Documents:

[Drawing \(PDF\)](#) [RoHS Certificate of Compliance \(PDF\)](#)

Agency Certification

UL E48521

General

Product Family	Terminal Blocks
Series	39374
Application	Wire-to-Board
Component Type	Plug
Product Literature Order No	USA-261
Product Name	Eurostyle™ Pluggable
Type	Euro Block

Physical

Circuits (Loaded)	6
Entry Angle	270° Angle
Flammability	94V-0
Lock to Mating Part	None
Number of Rows	1
Orientation	Vertical
PCB Retention	N/A
Panel Mount	No
Pitch - Mating Interface (in)	0.295 In
Pitch - Mating Interface (mm)	7.50 mm
Polarized to Mating Part	Yes
Stackable	Yes
Temperature Range - Operating	110°C
Wire Size AWG	12, 14, 16, 18, 20, 22, 24, 26, 28, 30
Wire Size mm ²	0.05 - 2.50

Electrical

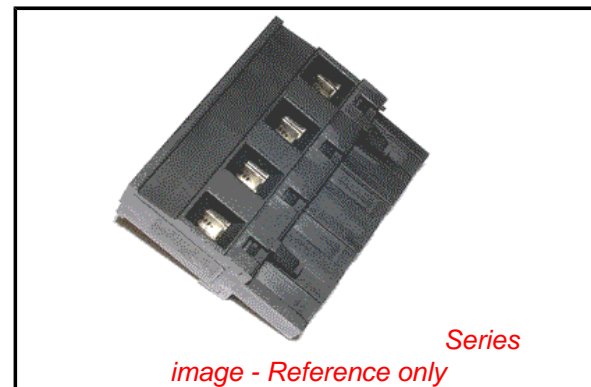
Current - Maximum per Contact	15A
Voltage - Maximum	300V

Material Info

Old Part Number	370906
-----------------	--------

Reference - Drawing Numbers

Sales Drawing	SD-39374-002
---------------	--------------



EU RoHS

**ELV and RoHS
Compliant**
REACH SVHC
 Not Reviewed
**Halogen-Free
Status**
Not Reviewed

China RoHS



**Need more information on product
environmental compliance?**

Email productcompliance@molex.com
 For a multiple part number RoHS Certificate of
 Compliance, [click here](#)

Please visit the [Contact Us](#) section for any
 non-product compliance questions.

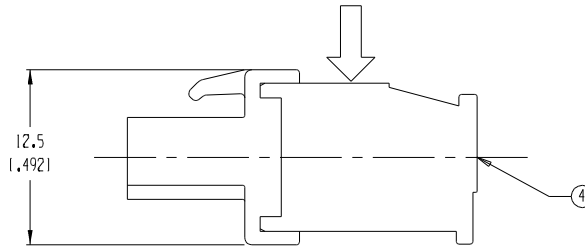
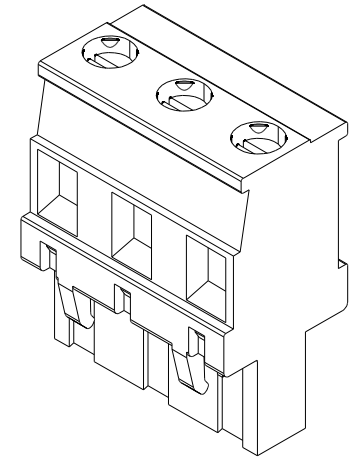
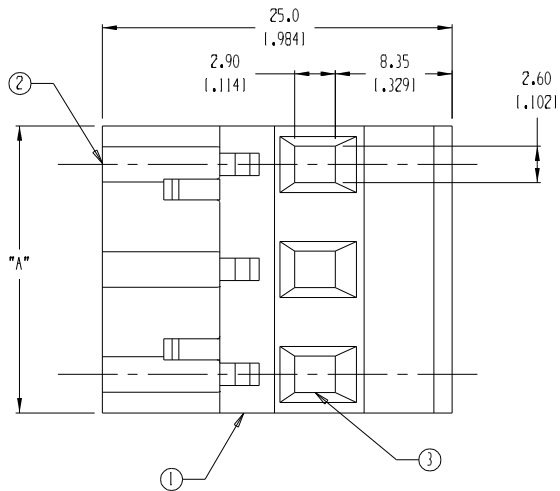
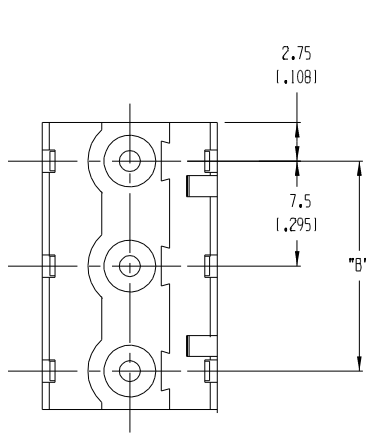
Search Parts in this Series

[39374Series](#)

Mates With

39372 & 39373 Headers

PLEASE CHECK WWW.MOLEX.COM FOR LATEST PART INFORMATION



MATERIAL NUMBER	NUMBER OF CIRCUITS "XX"	A		B	
039374-0902	2	13.0	1.511	7.50	1.2951
039374-0903	3	20.5	10.811	15.00	1.5911
039374-0904	4	28.0	11.101	22.50	1.8861
039374-0905	5	35.5	11.401	30.00	1.1811
039374-0906	6	43.0	11.691	37.50	1.14761
039374-0907	7	50.5	11.991	45.00	1.17721
039374-0908	8	58.0	12.281	52.50	1.20671
039374-0909	9	65.5	12.581	60.00	1.23621
039374-0910	10	73.0	12.871	67.50	1.26571
039374-0911	11	80.5	13.171	75.00	1.29531
039374-0912	12	88.0	13.461	82.50	1.32481

- NOTES:
1. MATERIAL: SEE TABLE
 2. FINISHES: SEE TABLE
 3. PRODUCT SPECIFICATION: NOT REQUIRED
 4. PACKAGING: NOT REQUIRED
 5. MATES WITH: 7.5MM HEADER
 6. "XX" - REFERS TO THE NUMBER OF CIRCUIT POSITIONS

4	XX	SCREW	COPPER ALLOY	NICKEL-PLATED
3	XX	CAGE CLAMP	COPPER ALLOY	NICKEL-PLATED
2	XX	TERMINAL	PHOS. BRONZE	TIN-PLATED
1	I	HOUSING	POLYAMIDE	BLACK
ITEM	QTY.	DESCRIPTION	MATERIAL	FINISH

EC NO. 3846 DRWN: CY 09-03-04 CH: K APPR:	DESCRIPTION MAJOR CRITICAL SPC	GENERAL TOLERANCES: (UNLESS SPECIFIED)		SCALE 3:1	DESIGN UNITS <input type="checkbox"/> mm <input checked="" type="checkbox"/> INCH	THIRD ANGLE PROJECTION	PROJECT NO. - DIMENSIONS: <input checked="" type="checkbox"/> mm <input type="checkbox"/> INCH <input type="checkbox"/> mm ONLY	SHT REV
		4 PLACES ±.0015 3 PLACES ±.038 ±.005 2 PLACES ±.13 ±.01 1 PLACE ±.3	ANGULAR: ±2°	DRAFT WHERE APPLICABLE MUST REMAIN WITHIN DIMENSIONS	THIS DRAWING CONTAINS INFORMATION THAT IS PROPRIETARY TO MOLEX INCORPORATED AND SHOULD NOT BE USED WITHOUT WRITTEN PERMISSION.	SIZE B		
ECN# 3846 DRWN: CY 09-03-04 CH: K APPR:		QUALITY SYMBOLS		DRAWN BY & DATE W HOWARD 07/21/03		TITLE: 7.5MM VERT PLUG, FRONT WIRE ENTRY		
B		REV		CHECKED BY & DATE R. KEMP 07/23/03		MOLEX INCORPORATED		
CAD FILENAME 3709XX		MATERIAL NO. SEE CHART		DRAWING NO. SD-39374-002		SHEET NO. 1 OF 1		